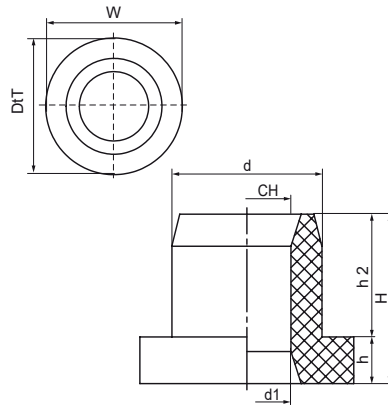


Walraven VibraTek® SA-2 Silent Absorber

(L20551)

silent rubber absorber for isolating metal to metal contact



Features & benefits

- a versatile viscoelastic rubber absorber for preventing metal-to-metal contact in joined or fastened surfaces
- simple installation
- with Ø 14mm hole for use with M10 and M12 threaded rods
- prevents transmission of vibration and noise
- working temperature range -10 °C till 45 °C

Product Number	Total Height	Total Width	Total Depth	Height	Height 2	Connection Hole	Diameter	Recommended Minimum Load Faz	Recommended Maximum Load Faz	Maximum Static Deflection
Reference Letter	H	W	DtT	h	h 2	CH	d			
Unit description	mm	mm	mm	mm	mm	mm	mm	N	N	mm
2801000300	27	34	34	7.3	19.2	14	12.5	10	250	3