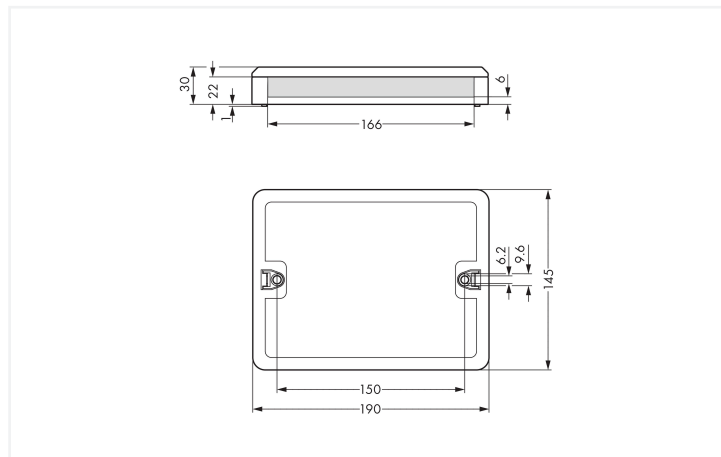
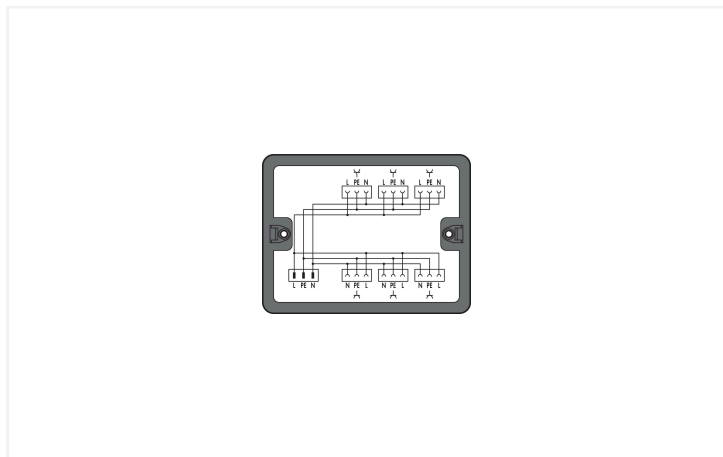


Data Sheet | Item Number: 899-631/395-000

Distribution box; Single-phase current (230 V); 1 input; 6 outputs; Cod. A; MIDI; black

<https://www.wago.com/899-631/395-000>



Color: ■ black

Dimensions in mm

Distribution box WINSTA® A coding

The distribution box from the WINSTA® product line with A coding is the sophisticated solution for trouble-free electrical installation. With WAGO, you get enjoy the advantages of a large selection of accessories for the WINSTA® product line. The color coding and mechanical coding of the distribution box ensure error-free installation of the individual components – including protection against mismatching. The distribution box offers protection against contact with live components in accordance with protection type IP20 (When mated: IP2xC (These compact connectors are not designed for use in open, easily accessible areas!)). Thanks to the color coding and mechanical A coding of WINSTA® distribution boxes, you can clearly distinguish different circuits. The rated current and voltage are important criteria for selecting a distribution box: They provide information about possible domains of use and applications. This product has a current rating of 25 A – therefore it is also suitable for powerful loads.

WINSTA® solutions for your electrical installation – protected against mismatching and maintenance-free

The WINSTA® Pluggable Connection System is ideally tailored to the strict requirements of building installation. It makes electrical installation pluggable, and thus more efficient, more reliable, and error-free. Use of this pre-assembled system decreases assembly times and errors during installation at the construction site. Choose durability and quality – with protection against mismatching from WAGO makes the electrical installation of electrical components significantly easier.

- protection against mismatching eliminates errors
- intuitive distribution box marking
- saves time, since no wiring is required at the construction site
- with A coding for a great number of applications
- fast, secure installation

Electrical data

Ratings per	IEC/EN 60664-1		
Overvoltage category	III	III	II
Pollution degree	3	2	2
Nominal voltage	250 V	-	-
Rated impulse withstand voltage	4 kV	-	-
Rated current	25 A	-	-

General information

Note on contact resistance	approx. 1 mΩ contact resistance approx. 0.25 mΩ contact transition (plug/ socket)
----------------------------	---

Connection Data

Connection 1		Connection 2	
Connection type	Input	Connection type	Output
Pluggable connector	MIDI plug, 3-pole (770-233)	Connector	MIDI socket, 3-pole (770-223)

Physical data

Width	190 mm / 7.48 inches
Height	31 mm / 1.22 inches
Depth	145 mm / 5.709 inches

Mechanical data

Internal wiring	4 mm ²
Use	Single-phase current (230 V)
Coding	A
Mounting type	Wall, screw mount Installation on mounting plate
Protection type	IP20; When mated: IP2xC (These compact connectors are not designed for use in open, easily accessible areas!)

Plug-in connection

Mismating protection	Yes
Note on mismating protection	All <i>WINSTA</i> ® components are 100% protected against mismating when: a.) plugging different numbers of poles b.) plugging while rotated 180 c.) plugging while laterally staggered d.) plugging one pole
Locking of plug-in connection	Locking lever

Material data

Note (material data)	Information on material specifications can be found here
Color	black
Insulation material (main housing)	Polyamide (PA66)
Flammability class per UL94	V0
Contact material	Copper or copper alloy; surface-treated
Contact Plating	Tin
Fire load	7.199 MJ
Weight	420 g

Environmental requirements

Processing temperature	-5 ... +40 °C
Continuous operating temperature	-35 ... +85 °C
Note on continuous operating temperature	Insulating parts for temperatures ≤ 105 °C

Commercial data

PU (SPU)	1 pcs
Packaging type	Box
Country of origin	DE
GTIN	4055143305792
Customs tariff number	85366990990

Product Classification

UNSPSC	39121406
eCl@ss 10.0	27-44-06-03
eCl@ss 9.0	27-44-06-03
ETIM 9.0	EC002567
ETIM 10.0	EC002567
ECCN	NO US CLASSIFICATION

Environmental Product Compliance

RoHS Compliance Status	Compliant, No Exemption
------------------------	-------------------------

Downloads

Environmental Product Compliance

Compliance Search	
Environmental Product Compliance 899-631/395-000	↓

Documentation

Bid Text			
899-631/395-000	19.02.2019	xml 3.31 KB	↓
899-631/395-000	11.03.2015	doc 25.00 KB	↓

1 Compatible Products

1.1 System counterpart

1.1.1 Cable assembly



Item No.: 771-9993/206-102
pre-assembled connecting cable; Eca; Plug/open-ended; 3-pole; Cod. A; H05VV-F 3G 1.5 mm²; 1 m; 1,50 mm²; white



Item No.: 771-9993/106-102
pre-assembled connecting cable; Eca; Socket/open-ended; 3-pole; Cod. A; H05VV-F 3G 1.5 mm²; 1 m; 1,50 mm²; white



Item No.: 771-9993/006-102
pre-assembled interconnecting cable; Eca; Socket/plug; 3-pole; Cod. A; H05VV-F 3G 1.5 mm²; 1 m; 1,50 mm²; white

1.1.2 Female connector/socket



Item No.: 770-223

Socket; 3-pole; Cod. A; white

Item No.: 770-123

Socket; with strain relief housing; 3-pole;
Cod. A; 4,00 mm²; white

Item No.: 770-223/035-050

Socket; with strain relief housing; 3-pole;
Cod. A; 4,00 mm²; white

1.1.3 Male connector/plug



Item No.: 770-233

Plug; 3-pole; Cod. A; white

Item No.: 770-133

Plug; with strain relief housing; 3-pole;
Cod. A; 4,00 mm²; white

Item No.: 770-233/035-050

Plug; with strain relief housing; 3-pole;
Cod. A; 4,00 mm²; white

1.2 Optional Accessories

1.2.1 Installation

1.2.1.1 Mounting accessories



Item No.: 899-680

Mounting plate; for distribution boxes; gray

Installation Notes

Installation

