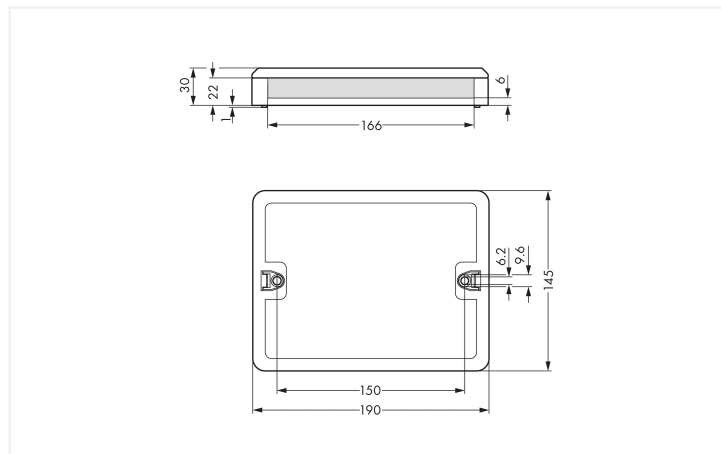
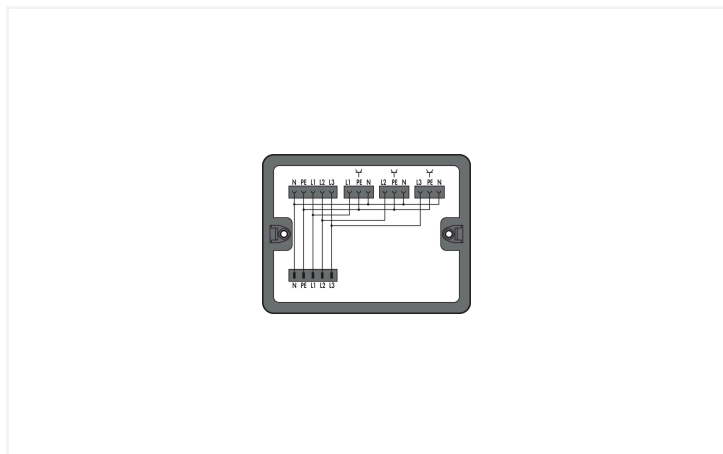


Data Sheet | Item Number: 899-631/346-000

Distribution box; Three-phase to single-phase current (400 V/230 V); 1 input; 4 outputs; Cod. A; MIDI; black

<https://www.wago.com/899-631/346-000>



Color: ■ black

Dimensions in mm

Distribution box WINSTA® with protection against mismatching

Implement the energy supply quickly and easily: The distribution box from the WINSTA® product line with a current rating of 25 A is the product of your choice for error-free electrical installation. You can rely on the quality of WINSTA® components from WAGO for your electrical installation accessories too. For greater protection in electrical installations, the distribution box is provided with mechanical protection against mismatching. The distribution box offers touch-proof protection with live components in accordance with protection type IP20 (When mated: IP2xC (These compact connectors are not designed for use in open, easily accessible areas!)). The WINSTA® distribution box with A coding in white or black is normally used for general mains applications in power distribution. This distribution box is designed for a load of up to 25 A. Thus, it can also be used for high power loads.

Lower costs through fast commissioning and elimination of service expenses – solutions from WINSTA®

The WINSTA® Pluggable Connection System is perfectly tailored to the strict requirements of building installation. It makes electrical installation pluggable, and consequently more efficient, even more reliable, and error-free. Using this pre-assembled system decreases time spent on assembly and installation errors at the construction site. Enjoy the benefits of the pluggable version of our maintenance-free spring pressure connection technology too! Plan your installation with with protection against mismatching from WAGO.

- effective protection against mismatching
- intuitive distribution box marking
- products perfectly tailored to your requirements guarantee safe use
- with A coding for a large number of applications
- fast, secure installation

Electrical data

Ratings per

IEC/EN 60664-1

Overvoltage category	III	III	II
Pollution degree	3	2	2
Nominal voltage	400 V	-	-
Rated impulse withstand voltage	6 kV	-	-
Rated current	25 A	-	-

Ratings per IEC/EN 2

Rated voltage (III / 3)	250 V
Rated impulse withstand voltage (III/3)	4 kV

General information

Note on contact resistance	approx. 1 mΩ contact resistance approx. 0.25 mΩ contact transition (plug/ socket)
----------------------------	---

Connection Data

Connection 1

Connection type	Input
Pluggable connector	MIDI plug, 5-pole (770-215)

Connection 2

Connection type	Output
Connector	MIDI socket, 5-pole (770-205)

Connection 3

Connection type	Output
Connector	MIDI socket, 3-pole (770-203)

Physical data

Width	190 mm / 7.48 inches
Height	31 mm / 1.22 inches
Depth	145 mm / 5.709 inches

Mechanical data

Internal wiring	4 mm ²
Use	Three-phase to single-phase current (400 V / 230 V)
Coding	A
Mounting type	Wall, screw mount Installation on mounting plate
Protection type	IP20; When mated: IP2xC (These compact connectors are not designed for use in open, easily accessible areas!)

Plug-in connection

Mismating protection	Yes
Note on mismating protection	All <i>WINSTA</i> ® components are 100% protected against mismating when: a.) plugging different numbers of poles b.) plugging while rotated 180 c.) plugging while laterally staggered d.) plugging one pole
Locking of plug-in connection	Locking lever

Material data

Note (material data)	Information on material specifications can be found here
Color	black
Insulation material (main housing)	Polyamide (PA66)
Flammability class per UL94	V0
Contact material	Copper or copper alloy; surface-treated
Contact Plating	Tin
Fire load	7.031 MJ
Weight	328.8 g

Environmental requirements	
Processing temperature	-5 ... +40 °C
Continuous operating temperature	-35 ... +85 °C
Note on continuous operating temperature	Insulating parts for temperatures ≤ 105 °C

Commercial data	
PU (SPU)	1 pcs
Packaging type	Box
Country of origin	DE
GTIN	4055143305167
Customs tariff number	85366990990

Product Classification	
UNSPSC	39121406
eCl@ss 10.0	27-44-06-03
eCl@ss 9.0	27-44-06-03
ETIM 9.0	EC002567
ETIM 10.0	EC002567
ECCN	NO US CLASSIFICATION

Environmental Product Compliance	
RoHS Compliance Status	Compliant, No Exemption

Downloads

Environmental Product Compliance

Compliance Search	
Environmental Product Compliance 899-631/346-000	↓

Documentation

Bid Text			
899-631/346-000	19.02.2019	xml 3.47 KB	↓
899-631/346-000	23.02.2015	doc 26.00 KB	↓

1 Compatible Products

1.1 System counterpart

1.1.1 Cable assembly



Item No.: 771-9993/206-101
pre-assembled connecting cable; Eca; Plug/open-ended; 3-pole; Cod. A; H05VV-F 3G 1.5 mm²; 1 m; 1,50 mm²; black



Item No.: 771-9995/206-101
pre-assembled connecting cable; Eca; Plug/open-ended; 5-pole; Cod. A; H05VV-F 5G 1.5 mm²; 1 m; 1,50 mm²; black



Item No.: 771-9995/106-101
pre-assembled connecting cable; Eca; Socket/open-ended; 5-pole; Cod. A; H05VV-F 5G 1.5 mm²; 1 m; 1,50 mm²; black



Item No.: 771-9993/006-101
pre-assembled interconnecting cable; Eca; Socket/plug; 3-pole; Cod. A; H05VV-F 3G 1.5 mm²; 1 m; 1,50 mm²; black



Item No.: 771-9995/006-101
pre-assembled interconnecting cable; Eca; Socket/plug; 5-pole; Cod. A; H05VV-F 5G 1.5 mm²; 1 m; 1,50 mm²; black

1.1.2 Female connector/socket



Item No.: 770-205
Socket; 5-pole; Cod. A; 4,00 mm²; black



Item No.: 770-405
Socket; 5-pole; Cod. A; 4,00 mm²; black



Item No.: 770-105
Socket; with strain relief housing; 5-pole; Cod. A; 4,00 mm²; black



Item No.: 770-305
Socket; with strain relief housing; 5-pole; Cod. A; 4,00 mm²; black

1.1.3 Male connector/plug



Item No.: 770-213
Plug; 3-pole; Cod. A; black



Item No.: 770-215
Plug; 5-pole; Cod. A; 4,00 mm²; black



Item No.: 770-415
Plug; 5-pole; Cod. A; 4,00 mm²; black



Item No.: 770-113
Plug; with strain relief housing; 3-pole; Cod. A; 4,00 mm²; black



Item No.: 770-213/035-000
Plug; with strain relief housing; 3-pole; Cod. A; 4,00 mm²; black



Item No.: 770-115
Plug; with strain relief housing; 5-pole; Cod. A; 4,00 mm²; black



Item No.: 770-315
Plug; with strain relief housing; 5-pole; Cod. A; 4,00 mm²; black

1.2 Optional Accessories

1.2.1 Installation

1.2.1.1 Mounting accessories



Item No.: 899-680
Mounting plate; for distribution boxes; gray

Installation Notes

Installation

