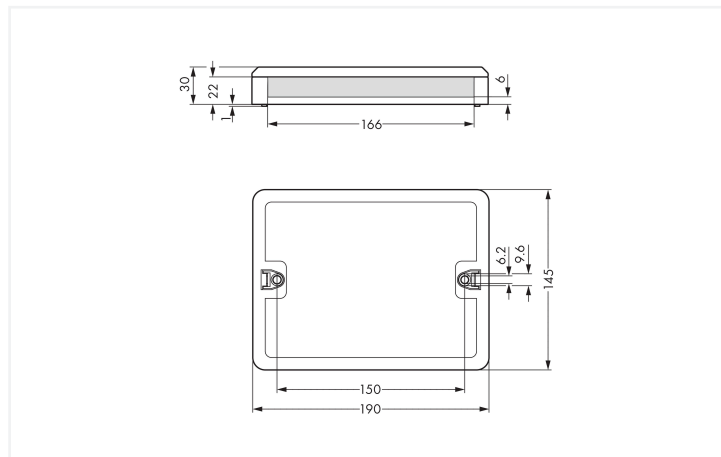
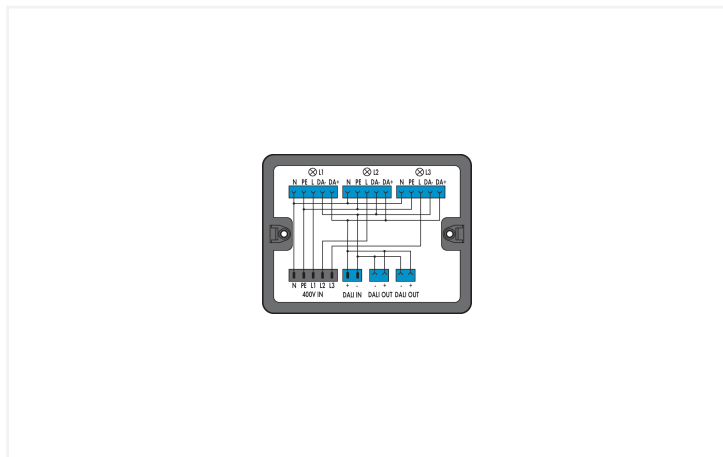


Data Sheet | Item Number: 899-631/455-000

Distribution box; 400 V + DALI; 2 inputs; 5 outputs; Cod. A, I; MINI, MIDI; black

<https://www.wago.com/899-631/455-000>



Color: ■ black

Dimensions in mm

Distribution box WINSTA® with protection type IP20

The distribution box from the WINSTA® product line with protection against mismatching guarantees you the maximum flexibility in electrical installation. You can rely on the level of quality of WINSTA® components from WAGO for your electrical installation accessories too. The color coding and mechanical coding of the distribution box ensure error-free installation of the individual components – including protection against mismatching. The distribution box is protected in accordance with protection type IP20 (When mated: IP2xC (These compact connectors are not designed for use in open, easily accessible areas!)). This means that users' fingers will never come into contact with live contact elements. Standard mains applications for almost any domain of use can be realised with WINSTA® distribution boxes with A coding. Important parameters in the selection of a distribution box are the rated current and voltage: They tell us about the product's domains of use. This product has a current rating of 20 A – so it is also suitable for high power loads.

Push-in CAGE CLAMP® spring pressure connection technology – pluggable installation instead of laborious screw connections!

WINSTA® is the pluggable connection system that is optimally tailored to the strict requirements of electrical installation. It ensures fast, secure and, above all, error-free installation of components and cables. Now you can also reduce installation costs without compromising quality and safety: with protection type IP20 eliminates the need for servicing and prevents unnecessary downtime.

- distribution boxes with protection against mismatching
- intuitive distribution box marking
- products perfectly tailored to your requirements guarantee safe use
- with A coding for use in a large number of general mains applications
- convenient installation and commissioning

Electrical data

Ratings per	IEC/EN 60664-1		
Overvoltage category	III	III	II
Pollution degree	3	2	2
Nominal voltage	400 V	-	-
Rated impulse withstand voltage	6 kV	-	-
Rated current	20 A	-	-

Ratings per IEC/EN 2	
Rated voltage (III / 3)	250 V
Rated impulse withstand voltage (III/3)	4 kV
Rated current	16 A

General information

Note on contact resistance	approx. 1 mΩ contact resistance approx. 0.25 mΩ contact transition (plug/ socket)
----------------------------	---

Connection Data

Connection 1

Connection type	Input
Pluggable connector	MIDI plug, 5-pole (770-215)

Connection 2

Connection type	Output
Connector	MIDI socket, 5-pole (770-1105)

Connection 3

Connection type	Input
Connector	MINI plug, 2-pole (890-1112)

Connection 4

Connection type	Output
Connector	MINI socket, 2-pole (890-1102)

Physical data

Width	190 mm / 7.48 inches
Height	31 mm / 1.22 inches
Depth	145 mm / 5.709 inches

Mechanical data

Internal wiring	1.5 mm ² 2.5 mm ²
Use	DALI, Lighting Management
Coding	A
Coding 2	I
Mounting type	Wall, screw mount Installation on mounting plate
Protection type	IP20; When mated: IP2xC (These compact connectors are not designed for use in open, easily accessible areas!)

Plug-in connection

Mismating protection	Yes
Note on mismating protection	All <i>WINSTA</i> ® components are 100% protected against mismating when: a.) plugging different numbers of poles b.) plugging while rotated 180 c.) plugging while laterally staggered d.) plugging one pole
Locking of plug-in connection	Locking lever

Material data

Note (material data)	Information on material specifications can be found here
Color	black
Insulation material (main housing)	Polyamide (PA66)
Flammability class per UL94	V0
Contact material	Copper or copper alloy; surface-treated
Contact Plating	Tin
Fire load	7.158 MJ
Weight	390 g

Environmental requirements

Processing temperature	-5 ... +40 °C
Continuous operating temperature	-35 ... +85 °C
Note on continuous operating temperature	Insulating parts for temperatures ≤ 105 °C

Commercial data

PU (SPU)	1 pcs
Packaging type	Box
Country of origin	DE
GTIN	4055143306096
Customs tariff number	85366990990

Product Classification

UNSPSC	39121308
eCl@ss 10.0	27-44-06-03
eCl@ss 9.0	27-44-06-03
ETIM 9.0	EC002567
ETIM 10.0	EC002567
ECCN	NO US CLASSIFICATION

Environmental Product Compliance

RoHS Compliance Status	Compliant, No Exemption
------------------------	-------------------------

Downloads

Environmental Product Compliance

Compliance Search			
Environmental Product Compliance			↓
899-631/455-000			

Documentation

Bid Text			
899-631/455-000	19.02.2019	xml 3.60 KB	↓
899-631/455-000	11.03.2015	doc 27.00 KB	↓

1 Compatible Products

1.1 System counterpart

1.1.1 Cable assembly



Item No.: 891-8982/206-101
pre-assembled connecting cable; Eca; Plug/open-ended; 2-pole; Cod. I; H05VV-F 2 x 1.5 mm²; 1 m; 1,50 mm²; blue



Item No.: 771-9995/206-101
pre-assembled connecting cable; Eca; Plug/open-ended; 5-pole; Cod. A; H05VV-F 5G 1.5 mm²; 1 m; 1,50 mm²; black



Item No.: 771-9985/206-101
pre-assembled connecting cable; Eca; Plug/open-ended; 5-pole; Cod. I; H05VV-F 5G 1.5 mm²; 1 m; 1,50 mm²; blue



Item No.: 891-8982/106-101
pre-assembled connecting cable; Eca; Socket/open-ended; 2-pole; Cod. I; H05VV-F 2 x 1.5 mm²; 1 m; 1,50 mm²; blue



Item No.: 891-8982/006-101
pre-assembled interconnecting cable; Eca; Socket/plug; 2-pole; Cod. I; H05VV-F 2 x 1.5 mm²; 1 m; 1,50 mm²; blue



Item No.: 771-9995/006-101
pre-assembled interconnecting cable; Eca; Socket/plug; 5-pole; Cod. A; H05VV-F 5G 1.5 mm²; 1 m; 1,50 mm²; black



Item No.: 771-9985/006-101
pre-assembled interconnecting cable; Eca; Socket/plug; 5-pole; Cod. I; H05VV-F 5G 1.5 mm²; 1 m; 1,50 mm²; blue

1.1.2 Female connector/socket



Item No.: 890-1102
Socket; 2-pole; Cod. I; 1,50 mm²; blue



Item No.: 770-205
Socket; 5-pole; Cod. A; 4,00 mm²; black



Item No.: 770-405
Socket; 5-pole; Cod. A; 4,00 mm²; black



Item No.: 770-105
Socket; with strain relief housing; 5-pole; Cod. A; 4,00 mm²; black



Item No.: 770-305
Socket; with strain relief housing; 5-pole; Cod. A; 4,00 mm²; black

1.1.3 Male connector/plug



Item No.: 890-1112
Plug; 2-pole; Cod. I; 1,50 mm²; blue



Item No.: 770-1115
Plug; 5-pole; 4,00 mm²; blue



Item No.: 770-1115/022-000
Plug; with strain relief housing; 5-pole; Cod. I; 4,00 mm²; blue

1.2 Optional Accessories

1.2.1 Installation

1.2.1.1 Mounting accessories



Item No.: 899-680
Mounting plate; for distribution boxes; gray

Installation Notes

Installation

