

34 459 360 Product version from 4/1/2025



**Rain shower:**

- rain shower Ø 200 mm
- Rain shower material: metal
- overhead shower: rain flow
- max. rainshower flow 14 l/min
- Function from: 8 l/min
- rain shower with anti-scale system

**Hand shower:**

- spray head Ø 95mm
- Three settings: COMPACT RAIN, COMPACT SOFT FLOW, COMPACT AQUAPRESSURE FLOW, max. flow rate l/min (at 3 bar)
- 1/2" connection
- with anti-scale system

**Control element:**

- rotary diverter for fixed-riser shower/hand shower
- two-part push-on rosette Ø 65 mm
- metal shower hose 1250mm with integrated anti-twist protection

**Technical data:**

- shower with fixed riser projection 420mm
- height of fittings up to rain shower (bottom edge) 985mm
- height of fittings up to top edge of elbow 1160mm
- rosette for wall mounting Ø 60mm
- rosette for shower holder Ø 65mm
- Pipe diameter 20 mm
- gauge 150 mm - 13 mm

**Notes:**

- inherently safe from back flow
- This product can help a building meet the requirements of Green Building Rating Systems, e.g. LEED®, BREEAM®, DGNB

This article does not include a hand shower!

Intrinsic protection against back flow.

NOTE: The handles must be ordered separately from the fittings!

	Durabronze (23kt Gold)	34 459 360-09
	Chrome	34 459 360-00
	Brushed Platinum	34 459 360-06
	Platinum	34 459 360-08
	Brushed Durabronze (23kt Gold)	34 459 360-28
	Brushed Gold (PVD)	34 459 360-37
	Brushed Dark Brass (PVD)	34 459 360-39
	Brushed Bronze (PVD)	34 459 360-42
	Brushed Dark Platinum	34 459 360-99

**Recommended miscellaneous**

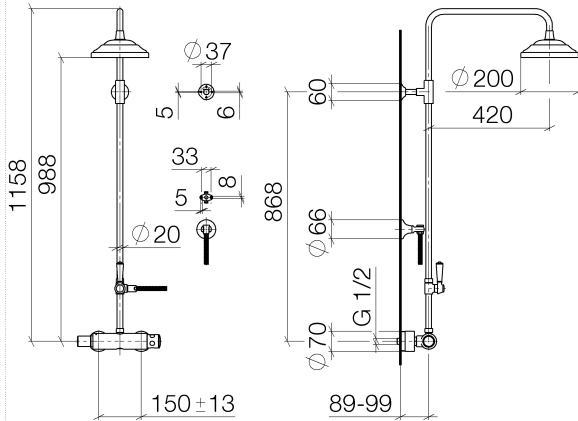


**Elbow 35° - Durabronze (23kt Gold)** 28 411 970-09

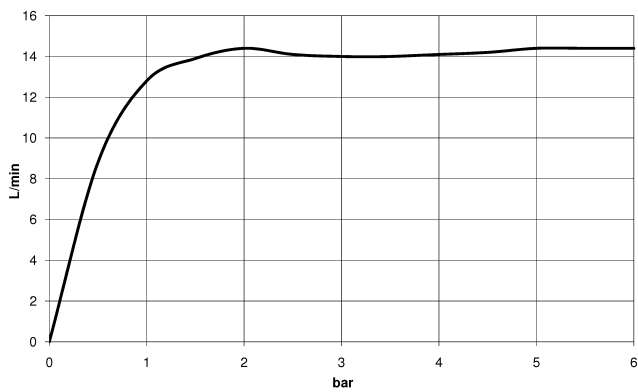
**MADISON Showerpipe with shower thermostat without hand shower 200 mm - Durabronz (23kt Gold)**

MADISON

34 459 360 Product version from 4/1/2025  
1:10



**Flow rate chart**



**Codes & Standards**

DIN 4109

ISO 3822

Ü-Zeichen



MADISON Showerpipe with shower thermostat without hand shower 200 mm -  
Durabross (23kt Gold)

---

MADISON

34 459 360 Product version from 4/1/2025

Certificates and sustainability

---

LGA\_38

EPD-DOR-20230287

-IBA1-EN

Environmental.prod

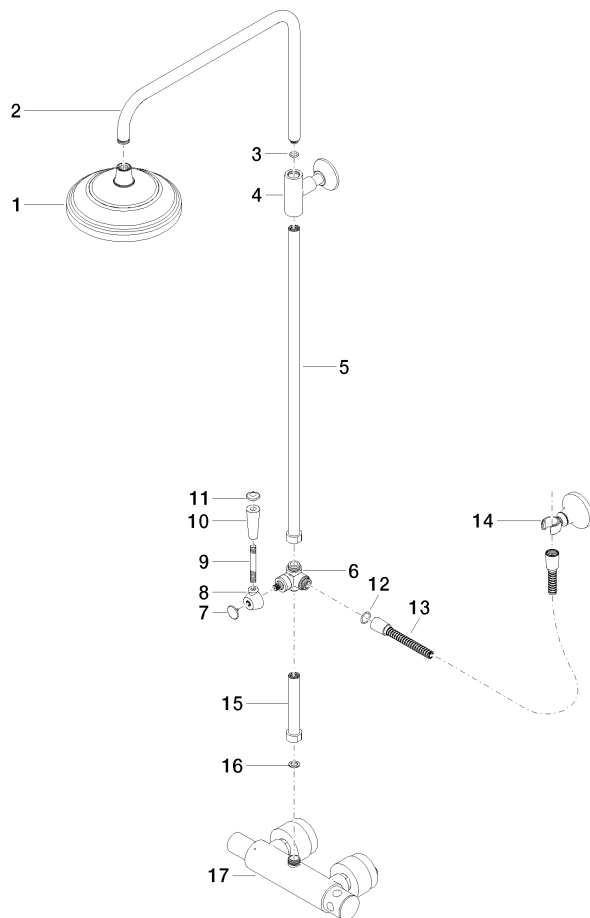
uct-declarat

**MADISON Showerpipe with shower thermostat without hand shower 200 mm -  
Durabronz (23kt Gold)**

MADISON

34 459 360 Product version from 4/1/2025

Parts for other  
finishes can be found  
here: [Chrome](#)





# MADISON Showerpipe with shower thermostat without hand shower 200 mm - Durabrace (23kt Gold)

MADISON

34 459 360 Product version from 4/1/2025

## Spare parts list

No.	Item Number	Name	Quantity used	Delivery time
4	90 17 11 037 01-09	Mounting for spray deck mounting T-piece - Durabrace (23kt Gold)	1.00	-
Spare part can no longer be ordered, please order the replacement item				
5	90 28 22 104 00-09	Pipe 650 mm - Durabrace (23kt Gold)	1.00	-
Spare part can no longer be ordered, please order the replacement item				
7	09 30 30 064-09	Cover Ø 25,5 x 15 mm - Durabrace (23kt Gold)	1.00	54
15	90 28 22 103 00-09	Pipe 120 mm - Durabrace (23kt Gold)	1.00	-
Spare part can no longer be ordered, please order the replacement item				
13	28 104 970-09	Metal shower hose 1/2" x 1/2" x 1250 mm - Durabrace (23kt Gold)	1.00	54
1	04 12 05 038 01-09	Rainshower round Ø 200 x 93 mm - Durabrace (23kt Gold)	1.00	54
16	90 14 20 002 00 90	Washer 18,5 x 12,0 x 2,0 mm -	1.00	14
2	04 28 22 101 20-09	Spout 447,5 x 30 x 297 mm - Durabrace (23kt Gold)	1.00	54
8	09 18 20 011-09	Adapter 43 x 21 x 36 mm - Durabrace (23kt Gold)	1.00	54
12	09 14 10 122 90	O-Ring EPDM 70 18,6 x 2,0 mm -	1.00	14
14	28 050 410-09	MADISON Wall bracket - Durabrace (23kt Gold)	1.00	-
Spare part can no longer be ordered, please order the replacement item				
	28050361-09	MADISON Wall bracket - Durabrace (23kt Gold)		
9	09 28 22 013 90	Mounting Ø 10 x 75 mm -	1.00	14
17	04 17 01 044 01-09	Connection for shower thermostat wall mounting 315 x 85 x 210 mm - Durabrace (23kt Gold)	1.00	54
10	11 170 370-09	MADISON Lever insert - Durabrace (23kt Gold)	1.00	54
3	90 14 10 011 00 90	O-Ring EPDM 70 11,0 x 2,5 mm -	1.00	14
6	90 17 09 045 01-09	Diverter Body, standpipe diverter, Madison - Durabrace (23kt Gold)	1.00	54
11	09 30 30 062-09	Cover Ø 24 x 8 mm - Durabrace (23kt Gold)	1.00	54