

33 845 875 Product version from 3/11/2013 to 10/27/2020



- 552mm projection
- pivotable spout 360°
- air-enriched flow
- height of mixer 372 mm
- height up to aerator 290 mm
- rosette 55 mm
- hole diameter 30 mm
- max. flow 8 l/min at 3 bar flow pressure
- lead-free
- This product can help a building meet the requirements of Green Building Rating Systems, e.g. LEED®, BREEAM®, DGNB

	Chrome	33 845 875-00
	Brushed Platinum	33 845 875-06
	Platinum	33 845 875-08
	Dark Chrome	33 845 875-19
	Brushed Durabronze (23kt Gold)	33 845 875-28
	Brushed Dark Brass (PVD)	33 845 875-39
	Brushed Bronze (PVD)	33 845 875-42
	Brushed Dark Bronze (PVD)	33 845 875-43
	Brushed Champagne (22kt Gold)	33 845 875-46
	Champagne (22kt Gold)	33 845 875-47
	Brushed Chrome	33 845 875-93
	Brushed Dark Platinum	33 845 875-99

Recommended miscellaneous

Dispenser with rosette - Chrome 82 444 970-00

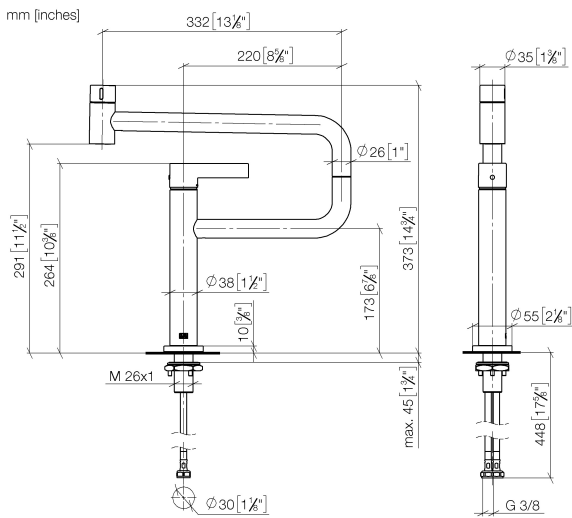


Recommended miscellaneous

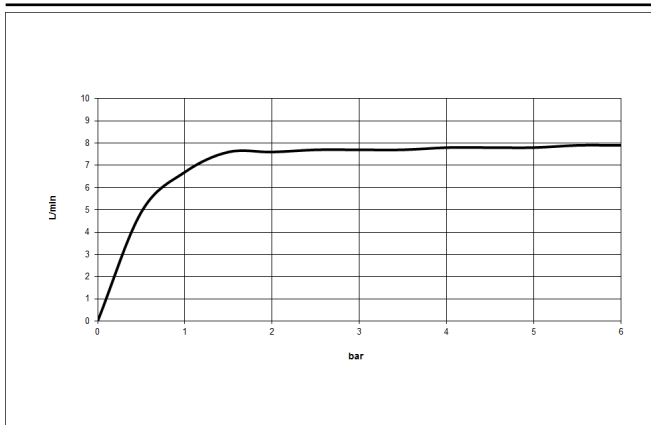
Strainer waste with control handle - Chrome 10 710 970-00



33 845 875 Product version from 3/11/2013 to 10/27/2020



Flow rate chart



Codes & Standards

DIN 4109

Executive Order
no. 1007

ISO 3822

Ü-Zeichen



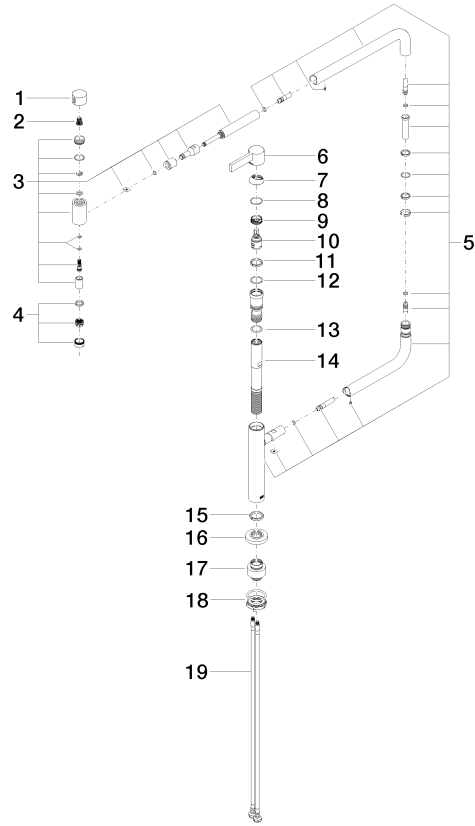
TARA ULTRA PIVOT Single-lever mixer - Chrome

TARA ULTRA

33 845 875 Product version from 3/11/2013 to 10/27/2020

Certificates and sustainability

LGA_28	GDV_0400	EPD-DOR-20230287 -IBA1-EN Environmental.prod uct-declarat
--------	----------	--



33 845 875 Product version from 3/11/2013 to 10/27/2020

Spare parts list

No.	Item Number	Name	Quantity used	Delivery time
15	09 28 10 159 90	Ring Ø 33,5 x 5 mm -	1.00	14
7	09 28 30 013-00	Cover Ø 37 x 11,7 mm - Chrome	1.00	20
16	09 27 87 033-00	Rosette Ø 55 x 12 mm - Chrome	1.00	20
6	90 20 87 004 00-00	Handle Lever 35 x 40 x 110 mm - Chrome	1.00	20
10	90 15 05 042 00 90	Cartridge Ø 25 x 52 mm -	1.00	14
5	90 28 22 257 00-00	Joint for Pot Filler 340 x 327 x 38 mm - Chrome	1.00	20
1	09 20 62 025-00	Handle Ø 35 x 23 mm - Chrome	1.00	20
4	90 23 01 026 07-00	Aerator with slit M24x1 8,0 l/min. - Chrome	1.00	20
19	04 30 04 101 00 90	High pressure hose M8x1 x 3/8" x 600 mm -	2.00	14
11	09 28 10 156 90	Ring Ø 29,9 x 4,9 mm -	1.00	14
18	04 30 11 085 87 90	Mounting with O-ring Ø34 x 4mm with spacer sleeve Ø 52 x 1,5 mm -	1.00	14
12	90 14 10 063 00 90	O-Ring EPDM 70 26,0 x 2,0 mm -	1.00	14
2	90 12 12 002 00 90	Fixing cap white Ø 15 x 12 mm -	1.00	14
17	12 845 970 90	Extension set -	1.00	-
Spare part can no longer be ordered, please order the replacement item				
8	09 14 10 091 90	O-Ring NBR 70 26,5 x 1,72 mm -	1.00	14
9	09 24 04 266 90	Mounting Ø 28 x 10,8 mm -	1.00	14
14	09 30 01 126 90	Connection Ø 27 x 210 mm -	1.00	14
3	90 19 87 001 00-00	Spout 35 x 205 x 57 mm - Chrome	1.00	20
13	09 14 10 081 90	O-Ring EPDM 70 22,0 x 3,0 mm -	1.00	14