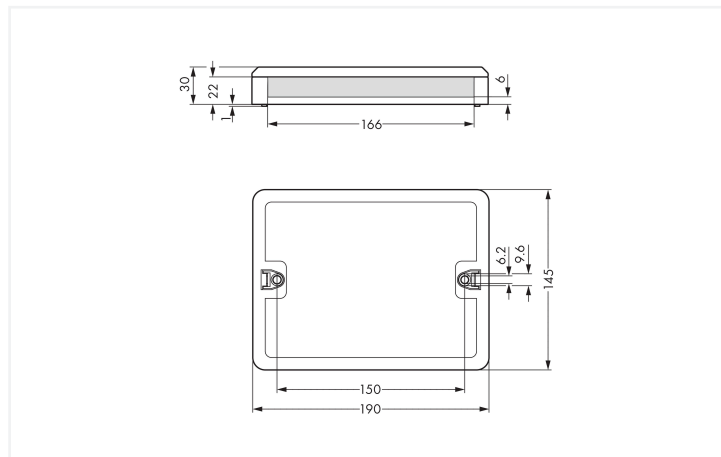
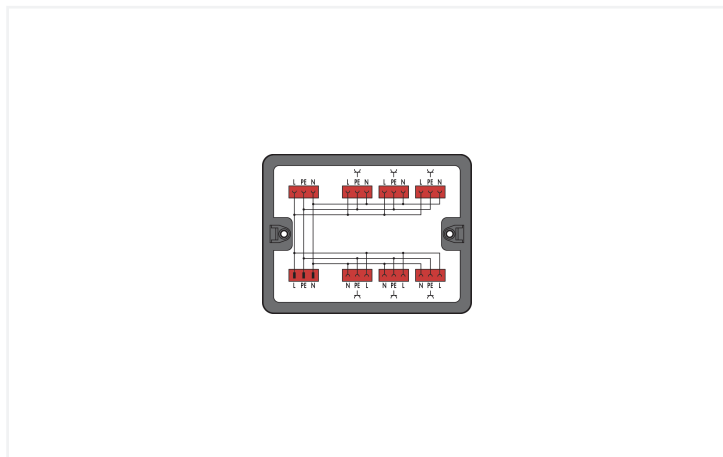


Data Sheet | Item Number: 899-631/330-000

Distribution box; Single-phase current (230 V); 1 input; 7 outputs; Cod. P; MIDI; black

<https://www.wago.com/899-631/330-000>



Color: ■ black

Dimensions in mm

Distribution box WINSTA® P coding

Put your trust in tried-and-tested sustainability for the electrical installation at your construction site: The distribution box from the WINSTA® product line with a current rating of 25 A. You can rely on the level of quality of WINSTA® components from WAGO for your electrical installation accessories too. The mechanical coding and color coding of the distribution box ensure error-free installation of the individual components – including protection against mismatching. The distribution box is protected in accordance with protection type IP20 (When mated: IP2xC (These compact connectors are not designed for use in open, easily accessible areas!)). That results in the fact that users' fingers will never come into contact with live elements. WINSTA® distribution boxes with P coding are employed for applications involving uninterruptible power supplies. The rated current and voltage are important criteria for selecting a distribution box: They tell us about the product's domains of use. This product has a current rating of 25 A – as a result it is also suitable for robust loads.

WINSTA® solutions for your electrical installation – protected against mismatching and maintenance-free

The WINSTA® Pluggable Connection System is ideally tailored to the very strict requirements of building installation. It makes electrical installation pluggable, and consequently more efficient, even more reliable, and error-free. Using this pre-assembled system reduces assembly times and errors during installation at the construction site. Choose durability and quality – with protection type IP20 from WAGO makes the installation of electrical components noticeably easier.

- effective protection against mismatching
- clear slot identification for easy commissioning
- saves time, since no wiring is required at the construction site
- with P coding for fault-free power supply
- convenient installation and commissioning

Electrical data

Ratings per	IEC/EN 60664-1		
Overtoltage category	III	III	II
Pollution degree	3	2	2
Nominal voltage	250 V	-	-
Rated impulse withstand voltage	4 kV	-	-
Rated current	25 A	-	-

General information

Note on contact resistance	approx. 1 mΩ contact resistance approx. 0.25 mΩ contact transition (plug/ socket)
----------------------------	---

Connection Data

Connection 1

Connection type	Input
Pluggable connector	MIDI plug, 3-pole (770-1313)

Connection 2

Connection type	Output
Connector	MIDI socket, 3-pole (770-1303)

Physical data

Width	190 mm / 7.48 inches
Height	31 mm / 1.22 inches
Depth	145 mm / 5.709 inches

Mechanical data

Internal wiring	4 mm ²
Use	Single-phase current (230 V)
Coding	P
Mounting type	Wall, screw mount Installation on mounting plate
Protection type	IP20; When mated: IP2xC (These compact connectors are not designed for use in open, easily accessible areas!)

Plug-in connection

Mismating protection	Yes
Note on mismating protection	All <i>WINSTA</i> ® components are 100% protected against mismating when: a.) plugging different numbers of poles b.) plugging while rotated 180 c.) plugging while laterally staggered d.) plugging one pole
Locking of plug-in connection	Locking lever

Material data

Note (material data)	Information on material specifications can be found here
Color	black
Insulation material (main housing)	Polyamide (PA66)
Flammability class per UL94	V0
Contact material	Copper or copper alloy; surface-treated
Contact Plating	Tin
Fire load	7.45 MJ
Weight	440 g

Environmental requirements

Processing temperature	-5 ... +40 °C
Continuous operating temperature	-35 ... +85 °C
Note on continuous operating temperature	Insulating parts for temperatures ≤ 105 °C

Commercial data	
PU (SPU)	1 pcs
Packaging type	Box
Country of origin	DE
GTIN	4055143302210
Customs tariff number	85366990990

Product Classification	
UNSPSC	39121406
eCl@ss 10.0	27-44-06-03
eCl@ss 9.0	27-44-06-03
ETIM 9.0	EC002567
ETIM 10.0	EC002567
ECCN	NO US CLASSIFICATION

Environmental Product Compliance	
RoHS Compliance Status	Compliant, No Exemption

Downloads

Environmental Product Compliance

Compliance Search	
Environmental Product Compliance 899-631/330-000	↓

Documentation

Bid Text			
899-631/330-000	19.02.2019	xml 3.31 KB	↓
899-631/330-000	11.03.2015	doc 25.00 KB	↓

1 Compatible Products

1.1 System counterpart

1.1.1 Cable assembly



Item No.: 771-9973/206-101
pre-assembled connecting cable; Eca; Plug/open-ended; 3-pole; Cod. P; H05VV-F 3G 1.5 mm²; 1 m; 1,50 mm²; red



Item No.: 771-9973/106-101
pre-assembled connecting cable; Eca; Socket/open-ended; 3-pole; Cod. P; H05VV-F 3G 1.5 mm²; 1 m; 1,50 mm²; red



Item No.: 771-9973/006-101
pre-assembled interconnecting cable; Eca; Socket/plug; 3-pole; Cod. P; H05VV-F 3G 1.5 mm²; 1 m; 1,50 mm²; red

1.1.2 Female connector/socket



Item No.: 770-1303

Socket; 3-pole; Cod. P; 4,00 mm²; red

1.1.3 Male connector/plug



Item No.: 770-1313

Plug; 3-pole; Cod. P; red

1.2 Optional Accessories

1.2.1 Installation

1.2.1.1 Mounting accessories



Item No.: 899-680

Mounting plate; for distribution boxes; gray

Installation Notes

Installation

