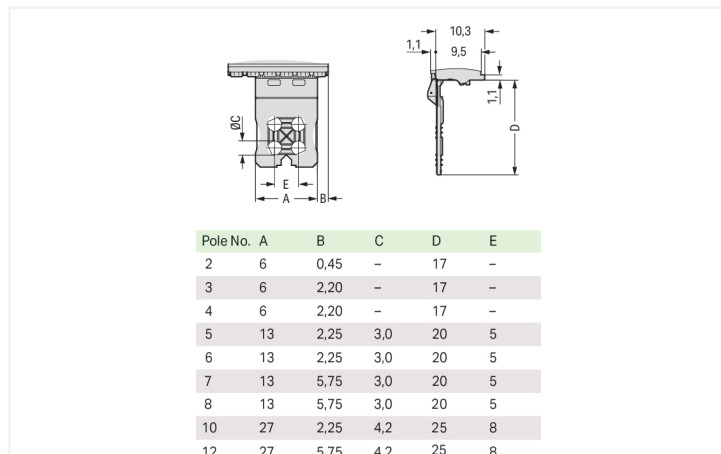


Data Sheet | Item Number: 2091-1601/002-000

Gripping plate with sliding connector release; for female and male connectors; 2 parts; Pin spacing 3.5 mm; 3- to 4-pole; light gray

<https://www.wago.com/2091-1601/002-000>



Color: ■ light gray

Similar to illustration

Dimensions in mm

Physical data

Pin spacing	3.5 mm / 0.138 inches
Width	6 mm

Mechanical data

Design	with sliding connector release
--------	--------------------------------

Material data

Note (material data)	Information on material specifications can be found here
Color	light gray
Flammability class per UL94	V0
Fire load	0.004 MJ
Weight	0.2 g

Commercial data

PU (SPU)	100 (25) pcs
Packaging type	Box
Country of origin	DE
GTIN	4050821437239
Customs tariff number	85389099990

Product Classification	
UNSPSC	39121409
eCl@ss 10.0	27-14-11-92
eCl@ss 9.0	27-14-11-92
ETIM 9.0	EC002848
ETIM 10.0	EC002848
ECCN	NO US CLASSIFICATION

Environmental Product Compliance	
RoHS Compliance Status	Compliant, No Exemption

Downloads

Environmental Product Compliance

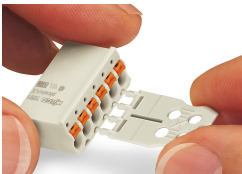
Compliance Search	
Environmental Product Compliance 2091-1601/002-000	↓

Documentation

Additional Information			
Technical Section	03.04.2019	pdf 2027.26 KB	↓

Installation Notes

Strain relief



Gripping plates are suitable for factory and field assembly.