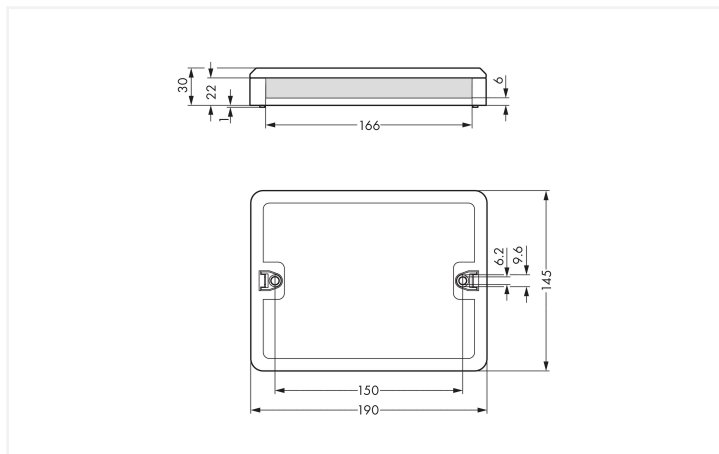
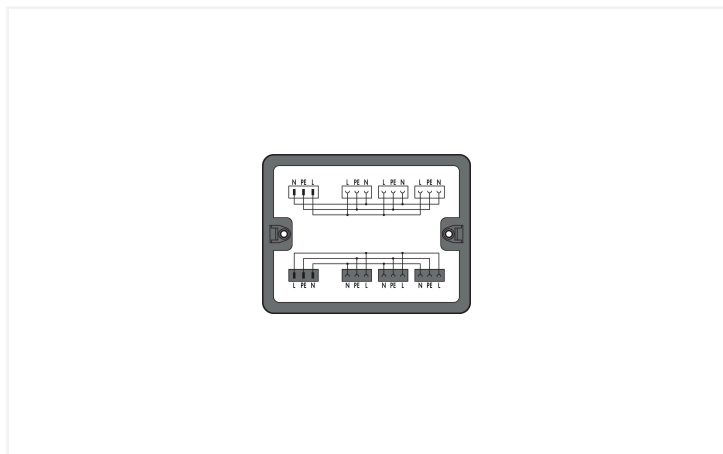


# Data Sheet | Item Number: 899-631/327-000

Distribution box; Single-phase current (230 V); 2 inputs; 6 outputs; Cod. A; MIDI; black

<https://www.wago.com/899-631/327-000>



Color: ■ black

Dimensions in mm

Distribution box WINSTA® with protection type IP20

Thanks to the distribution box from the WINSTA® product line with protection against mismatching, straightforward installation is guaranteed. You can rely on the level of quality of WINSTA® components from WAGO for your electrical installation accessories too. The coding options reduce installation errors, allowing fast, maintenance-free wiring of all components. The distribution box is protected against ingress by solid objects in accordance with protection type IP20 (When mated: IP2xC (These compact connectors are not designed for use in open, easily accessible areas!)). Thanks to the color coding and mechanical A coding of WINSTA® distribution boxes, you can clearly distinguish different circuits. This distribution box can be used for electrical currents up to 25 A. Thus the product is ideally suitable for high power loads.

Push-in CAGE CLAMP® spring pressure connection technology – pluggable installation instead of laborious screw connections!

The WINSTA® Pluggable Connection System allows pluggable electrical installation. This significantly reduces the need for servicing and lowers costs. Enjoy the benefits of the pluggable version of our maintenance-free spring pressure connection technology tool! Plan your installation with with protection against mismatching from WAGO.

- distribution boxes with protection against mismatching
- intuitive distribution box marking
- saves time, since no wiring is required at the construction site
- with A coding for a large number of uses
- convenient installation and commissioning

## Electrical data

| Ratings per                     | IEC/EN 60664-1 |     |    |
|---------------------------------|----------------|-----|----|
| Overvoltage category            | III            | III | II |
| Pollution degree                | 3              | 2   | 2  |
| Nominal voltage                 | 250 V          | -   | -  |
| Rated impulse withstand voltage | 4 kV           | -   | -  |
| Rated current                   | 25 A           | -   | -  |

## General information

|                            |   |
|----------------------------|---|
| Note on contact resistance | approx. 1 mΩ contact resistance<br>approx. 0.25 mΩ contact transition (plug/<br>socket) |
|----------------------------|---|

## Connection Data

| Connection 1        |                             | Connection 2    |                               |
|---------------------|-----------------------------|-----------------|-------------------------------|
| Connection type     | Input                       | Connection type | Output                        |
| Pluggable connector | MIDI plug, 3-pole (770-213) | Connector       | MIDI socket, 3-pole (770-203) |

| Connection 3    |                             | Connection 4    |                               |
|-----------------|-----------------------------|-----------------|-------------------------------|
| Connection type | Input                       | Connection type | Output                        |
| Connector       | MIDI plug, 3-pole (770-233) | Connector       | MIDI socket, 3-pole (770-223) |

## Physical data

|        |                       |
|--------|-----------------------|
| Width  | 190 mm / 7.48 inches  |
| Height | 31 mm / 1.22 inches   |
| Depth  | 145 mm / 5.709 inches |

## Mechanical data

|                 |   |
|-----------------|---|
| Internal wiring | 4 mm <sup>2</sup>   |
| Use             | Single-phase current (230 V)  |
| Coding          | A   |
| Mounting type   | Wall, screw mount<br>Installation on mounting plate   |
| Protection type | IP20; When mated: IP2xC (These compact connectors are not designed for use in open, easily accessible areas!) |

## Plug-in connection

|                                |   |
|--------------------------------|---|
| Mismatching protection         | Yes   |
| Note on mismatching protection | All <i>WINSTA</i> ® components are 100% protected against mismatching when:<br>a.) plugging different numbers of poles<br>b.) plugging while rotated 180<br>c.) plugging while laterally staggered<br>d.) plugging one pole |
| Locking of plug-in connection  | Locking lever   |

## Material data

|                                    |  |
|------------------------------------|--|
| Note (material data)               | <a href="#">Information on material specifications can be found here</a> |
| Color                              | black  |
| Insulation material (main housing) | Polyamide (PA66)   |
| Flammability class per UL94        | V0   |
| Contact material                   | Copper or copper alloy; surface-treated                                  |
| Contact Plating                    | Tin  |
| Fire load                          | 7.463 MJ   |
| Weight                             | 415 g  |

| Environmental requirements               |  |
|--|--|
| Processing temperature                   | -5 ... +40 °C                              |
| Continuous operating temperature         | -35 ... +85 °C                             |
| Note on continuous operating temperature | Insulating parts for temperatures ≤ 105 °C |

| Commercial data       |               |
|-----------------------|---------------|
| PU (SPU)              | 1 pcs         |
| Packaging type        | Box           |
| Country of origin     | DE            |
| GTIN                  | 4055143296243 |
| Customs tariff number | 85366990990   |

| Product Classification |                      |
|------------------------|----------------------|
| UNSPSC                 | 39121308             |
| eCl@ss 10.0            | 27-44-06-03          |
| eCl@ss 9.0             | 27-44-06-03          |
| ETIM 9.0               | EC002567             |
| ETIM 10.0              | EC002567             |
| ECCN                   | NO US CLASSIFICATION |

| Environmental Product Compliance |                         |
|----------------------------------|-------------------------|
| RoHS Compliance Status           | Compliant, No Exemption |

## Downloads

### Environmental Product Compliance

| Compliance Search                                   |                   |
|---|-------------------|
| Environmental Product Compliance<br>899-631/327-000 | <a href="#">↓</a> |

## Documentation

| Bid Text        |            |                 |                   |
|-----------------|------------|-----------------|-------------------|
| 899-631/327-000 | 19.02.2019 | xml<br>3.56 KB  | <a href="#">↓</a> |
| 899-631/327-000 | 23.02.2015 | doc<br>25.50 KB | <a href="#">↓</a> |

## 1 Compatible Products

### 1.1 System counterpart

#### 1.1.1 Cable assembly



**Item No.: 771-9993/206-101**  
pre-assembled connecting cable; Eca; Plug/open-ended; 3-pole; Cod. A; H05VV-F 3G 1.5 mm<sup>2</sup>; 1 m; 1,50 mm<sup>2</sup>; black



**Item No.: 771-9993/206-102**  
pre-assembled connecting cable; Eca; Plug/open-ended; 3-pole; Cod. A; H05VV-F 3G 1.5 mm<sup>2</sup>; 1 m; 1,50 mm<sup>2</sup>; white



**Item No.: 771-9993/106-101**  
pre-assembled connecting cable; Eca; Socket/open-ended; 3-pole; Cod. A; H05VV-F 3G 1.5 mm<sup>2</sup>; 1 m; 1,50 mm<sup>2</sup>; black



**Item No.: 771-9993/106-102**  
pre-assembled connecting cable; Eca; Socket/open-ended; 3-pole; Cod. A; H05VV-F 3G 1.5 mm<sup>2</sup>; 1 m; 1,50 mm<sup>2</sup>; white



**Item No.: 771-9993/006-101**  
pre-assembled interconnecting cable; Eca; Socket/plug; 3-pole; Cod. A; H05VV-F 3G 1.5 mm<sup>2</sup>; 1 m; 1,50 mm<sup>2</sup>; black



**Item No.: 771-9993/006-102**  
pre-assembled interconnecting cable; Eca; Socket/plug; 3-pole; Cod. A; H05VV-F 3G 1.5 mm<sup>2</sup>; 1 m; 1,50 mm<sup>2</sup>; white

#### 1.1.2 Female connector/socket



**Item No.: 770-203**  
Socket; 3-pole; Cod. A; black



**Item No.: 770-223**  
Socket; 3-pole; Cod. A; white



**Item No.: 770-103**  
Socket; with strain relief housing; 3-pole; Cod. A; 4,00 mm<sup>2</sup>; black



**Item No.: 770-203/035-000**  
Socket; with strain relief housing; 3-pole; Cod. A; 4,00 mm<sup>2</sup>; black



**Item No.: 770-123**  
Socket; with strain relief housing; 3-pole; Cod. A; 4,00 mm<sup>2</sup>; white



**Item No.: 770-223/035-050**  
Socket; with strain relief housing; 3-pole; Cod. A; 4,00 mm<sup>2</sup>; white

#### 1.1.3 Male connector/plug



**Item No.: 770-213**  
Plug; 3-pole; Cod. A; black



**Item No.: 770-233**  
Plug; 3-pole; Cod. A; white



**Item No.: 770-113**  
Plug; with strain relief housing; 3-pole; Cod. A; 4,00 mm<sup>2</sup>; black



**Item No.: 770-213/035-000**  
Plug; with strain relief housing; 3-pole; Cod. A; 4,00 mm<sup>2</sup>; black



**Item No.: 770-133**  
Plug; with strain relief housing; 3-pole; Cod. A; 4,00 mm<sup>2</sup>; white



**Item No.: 770-233/035-050**  
Plug; with strain relief housing; 3-pole; Cod. A; 4,00 mm<sup>2</sup>; white

## 1.2 Optional Accessories

### 1.2.1 Installation

#### 1.2.1.1 Mounting accessories



**Item No.: 899-680**  
Mounting plate; for distribution boxes; gray

## Installation Notes

### Installation

