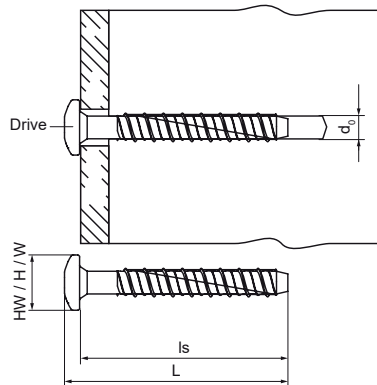


## Walraven W-LX-P Concrete Screw

(L0356)

zinc-plated concrete screw with a  $\varnothing 14.6$  mm pan head and torx T30 drive



### Features & benefits

- very high load capacity
- approved for use in precast prestressed hollow core slabs
- up to 3 anchoring depths provide maximum installation and design flexibility
- reduced edge and anchor spacing distances
- removable
- unique tip and thread geometry prevents concrete spalling
- material: steel
- zinc plated
- fire resistance class R30-R120 for design of anchorages under exposure to fire
- complies with VdS CEA 4001:2014-04 (05) and VdS CEA 4001:2018-01 (06) for applications with sprinkler systems in concrete elements
- substrate type: cracked concrete, non-cracked concrete, precast pre-stressed hollow core slabs
- for loads and more information, refer to the product data sheets and/or the ETA reports



| Product Number   | Screw Length | Anchor Size | Key Driver Size | Drill Hole Diameter | Head Width | Total Height | Total Width | Total Length |
|------------------|--------------|-------------|-----------------|---------------------|------------|--------------|-------------|--------------|
| Reference Letter | ls           |             | Drive           | d0                  | HW         | H            | W           | L            |
| Unit description | mm           |             |                 | mm                  | mm         | mm           | mm          | mm           |
| 62431304         | 40           | 6           | T30             | 6                   | 14.6       | 15           | 15          | 44           |
| 62431306         | 60           | 6           | T30             | 6                   | 14.6       | 15           | 15          | 64           |