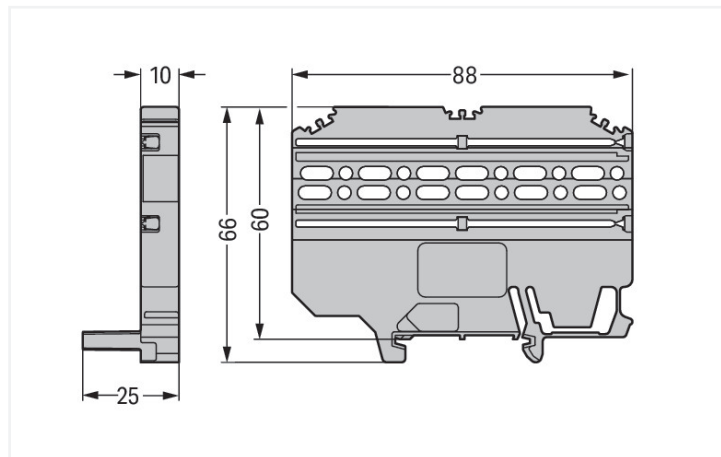
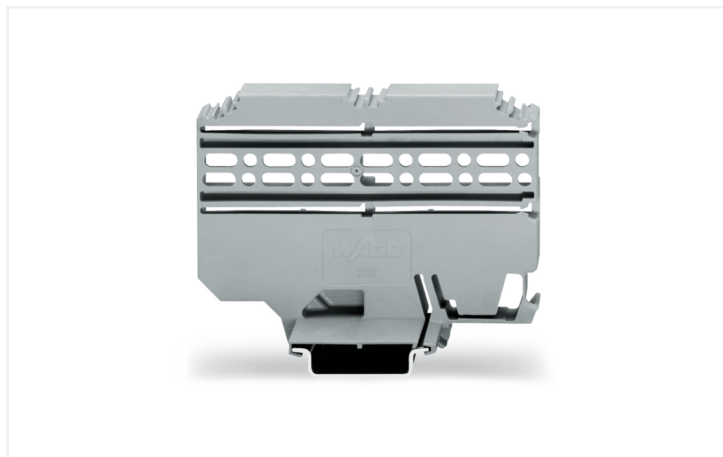


## Data Sheet | Item Number: 209-148

Multi mounting adapter; for female and male connectors; 25 mm wide; 3 parts; gray

<https://www.wago.com/209-148>



Color: ■ gray

Dimensions in mm

### Physical data

Width	25 mm / 0.984 inches
Height	60 mm / 2.362 inches
Depth	88 mm / 3.465 inches

### Mechanical data

Mounting type	Snap-in foot
Mounting type	DIN-35 rail
Suitable	for male and female connectors with snap-in mounting feet

### Material data

Note (material data)	<a href="#">Information on material specifications can be found here</a>
Color	gray
Material group	I
Insulation material (main housing)	Polyamide (PA66)
Flammability class per UL94	V0
Fire load	0.458 MJ
Weight	15.3 g

### Commercial data

Product Group	2 (Terminal Block Accessories)
PU (SPU)	25 pcs
Packaging type	Box
Country of origin	PL
GTIN	4017332968829
Customs tariff number	39269097900

Product Classification	
UNSPSC	39121702
eCl@ss 10.0	27-14-11-92
eCl@ss 9.0	27-14-11-92
ETIM 9.0	EC002848
ETIM 10.0	EC002848
ECCN	NO US CLASSIFICATION

Environmental Product Compliance	
RoHS Compliance Status	Compliant, No Exemption

## Downloads

### Environmental Product Compliance

Compliance Search	
Environmental Product Compliance 209-148	<a href="#">↓</a>

## Documentation

Additional Information			
Technical Section	03.04.2019	pdf 2027.26 KB	<a href="#">↓</a>

## CAD/CAE-Data

CAD data	
2D/3D Models 209-148	<a href="#">↓</a>

CAE data	
EPLAN Data Portal 209-148	<a href="#">↓</a>
WSCAD Universe 209-148	<a href="#">↓</a>
ZUKEN Portal 209-148	<a href="#">↓</a>

## 1 Compatible Products

### 1.1 Optional Accessories

#### 1.1.1 Female connector

##### 1.1.1.1 Female connector/socket



**Item No.: 721-310/008-000**  
 1-conductor female connector, angled; CAGE CLAMP®; 2.5 mm<sup>2</sup>; Pin spacing 5 mm; 10-pole; 100% protected against mismatching; Snap-in mounting feet; 2,50 mm<sup>2</sup>; light gray

**Item No.: 731-510/008-000**  
 1-conductor female connector, angled; CAGE CLAMP®; 2.5 mm<sup>2</sup>; Pin spacing 5 mm; 10-pole; Snap-in mounting feet; 2,50 mm<sup>2</sup>; gray

**Item No.: 721-312/008-000**  
 1-conductor female connector, angled; CAGE CLAMP®; 2.5 mm<sup>2</sup>; Pin spacing 5 mm; 12-pole; 100% protected against mismatching; Snap-in mounting feet; 2,50 mm<sup>2</sup>; light gray

**Item No.: 731-512/008-000**  
 1-conductor female connector, angled; CAGE CLAMP®; 2.5 mm<sup>2</sup>; Pin spacing 5 mm; 12-pole; Snap-in mounting feet; 2,50 mm<sup>2</sup>; gray







1.1.1.1 Female connector/socket



**Item No.: 721-207/008-000**  
 1-conductor female connector; CAGE CLAMP®; 2.5 mm²; Pin spacing 7.5 mm; 7-pole; 100% protected against mismatching; Snap-in mounting feet; 2,50 mm²; light gray



**Item No.: 231-207/008-000**  
 1-conductor female connector; CAGE CLAMP®; 2.5 mm²; Pin spacing 7.5 mm; 7-pole; Snap-in mounting feet; gray



**Item No.: 721-208/008-000**  
 1-conductor female connector; CAGE CLAMP®; 2.5 mm²; Pin spacing 7.5 mm; 8-pole; 100% protected against mismatching; Snap-in mounting feet; 2,50 mm²; light gray



**Item No.: 231-208/008-000**  
 1-conductor female connector; CAGE CLAMP®; 2.5 mm²; Pin spacing 7.5 mm; 8-pole; Snap-in mounting feet; gray



**Item No.: 721-209/008-000**  
 1-conductor female connector; CAGE CLAMP®; 2.5 mm²; Pin spacing 7.5 mm; 9-pole; 100% protected against mismatching; Snap-in mounting feet; 2,50 mm²; light gray



**Item No.: 231-209/008-000**  
 1-conductor female connector; CAGE CLAMP®; 2.5 mm²; Pin spacing 7.5 mm; 9-pole; Snap-in mounting feet; gray



**Item No.: 231-710/008-000**  
 1-conductor female connector; CAGE CLAMP®; 2.5 mm²; Pin spacing 7.62 mm; 10-pole; Snap-in mounting feet; orange



**Item No.: 231-711/008-000**  
 1-conductor female connector; CAGE CLAMP®; 2.5 mm²; Pin spacing 7.62 mm; 11-pole; Snap-in mounting feet; orange



**Item No.: 231-712/008-000**  
 1-conductor female connector; CAGE CLAMP®; 2.5 mm²; Pin spacing 7.62 mm; 12-pole; Snap-in mounting feet; orange



**Item No.: 231-702/008-000**  
 1-conductor female connector; CAGE CLAMP®; 2.5 mm²; Pin spacing 7.62 mm; 2-pole; Snap-in mounting feet; orange



**Item No.: 231-703/008-000**  
 1-conductor female connector; CAGE CLAMP®; 2.5 mm²; Pin spacing 7.62 mm; 3-pole; Snap-in mounting feet; orange



**Item No.: 231-704/008-000**  
 1-conductor female connector; CAGE CLAMP®; 2.5 mm²; Pin spacing 7.62 mm; 4-pole; Snap-in mounting feet; orange



**Item No.: 231-705/008-000**  
 1-conductor female connector; CAGE CLAMP®; 2.5 mm²; Pin spacing 7.62 mm; 5-pole; Snap-in mounting feet; orange



**Item No.: 231-706/008-000**  
 1-conductor female connector; CAGE CLAMP®; 2.5 mm²; Pin spacing 7.62 mm; 6-pole; Snap-in mounting feet; orange



**Item No.: 231-707/008-000**  
 1-conductor female connector; CAGE CLAMP®; 2.5 mm²; Pin spacing 7.62 mm; 7-pole; Snap-in mounting feet; orange



**Item No.: 231-708/008-000**  
 1-conductor female connector; CAGE CLAMP®; 2.5 mm²; Pin spacing 7.62 mm; 8-pole; Snap-in mounting feet; orange



**Item No.: 231-709/008-000**  
 1-conductor female connector; CAGE CLAMP®; 2.5 mm²; Pin spacing 7.62 mm; 9-pole; Snap-in mounting feet; orange

1.1.2 Mounting adapter

1.1.2.1 Male connector/plug



**Item No.: 231-610/018-000**  
 1-conductor male connector; CAGE CLAMP®; 2.5 mm²; Pin spacing 5 mm; 10-pole; DIN-35 rail/panel mounting; Snap-in mounting feet; gray



**Item No.: 231-611/018-000**  
 1-conductor male connector; CAGE CLAMP®; 2.5 mm²; Pin spacing 5 mm; 11-pole; DIN-35 rail/panel mounting; Snap-in mounting feet; gray



**Item No.: 231-612/018-000**  
 1-conductor male connector; CAGE CLAMP®; 2.5 mm²; Pin spacing 5 mm; 12-pole; DIN-35 rail/panel mounting; Snap-in mounting feet; gray



**Item No.: 231-613/018-000**  
 1-conductor male connector; CAGE CLAMP®; 2.5 mm²; Pin spacing 5 mm; 13-pole; DIN-35 rail/panel mounting; Snap-in mounting feet; gray



**Item No.: 231-614/018-000**  
 1-conductor male connector; CAGE CLAMP®; 2.5 mm²; Pin spacing 5 mm; 14-pole; DIN-35 rail/panel mounting; Snap-in mounting feet; gray



**Item No.: 231-615/018-000**  
 1-conductor male connector; CAGE CLAMP®; 2.5 mm²; Pin spacing 5 mm; 15-pole; DIN-35 rail/panel mounting; Snap-in mounting feet; gray



**Item No.: 231-616/018-000**  
 1-conductor male connector; CAGE CLAMP®; 2.5 mm²; Pin spacing 5 mm; 16-pole; DIN-35 rail/panel mounting; Snap-in mounting feet; gray



**Item No.: 231-617/018-000**  
 1-conductor male connector; CAGE CLAMP®; 2.5 mm²; Pin spacing 5 mm; 17-pole; DIN-35 rail/panel mounting; Snap-in mounting feet; gray



**Item No.: 231-602/018-000**  
 1-conductor male connector; CAGE CLAMP®; 2.5 mm²; Pin spacing 5 mm; 2-pole; DIN-35 rail/panel mounting; Snap-in mounting feet; gray



**Item No.: 231-603/018-000**  
 1-conductor male connector; CAGE CLAMP®; 2.5 mm²; Pin spacing 5 mm; 3-pole; DIN-35 rail/panel mounting; Snap-in mounting feet; gray



**Item No.: 231-604/018-000**  
 1-conductor male connector; CAGE CLAMP®; 2.5 mm²; Pin spacing 5 mm; 4-pole; DIN-35 rail/panel mounting; Snap-in mounting feet; gray



**Item No.: 231-605/018-000**  
 1-conductor male connector; CAGE CLAMP®; 2.5 mm²; Pin spacing 5 mm; 5-pole; DIN-35 rail/panel mounting; Snap-in mounting feet; gray



**Item No.: 231-606/018-000**  
 1-conductor male connector; CAGE CLAMP®; 2.5 mm²; Pin spacing 5 mm; 6-pole; DIN-35 rail/panel mounting; Snap-in mounting feet; gray



**Item No.: 231-607/018-000**  
 1-conductor male connector; CAGE CLAMP®; 2.5 mm²; Pin spacing 5 mm; 7-pole; DIN-35 rail/panel mounting; Snap-in mounting feet; gray



**Item No.: 231-608/018-000**  
 1-conductor male connector; CAGE CLAMP®; 2.5 mm²; Pin spacing 5 mm; 8-pole; DIN-35 rail/panel mounting; Snap-in mounting feet; gray



**Item No.: 231-609/018-000**  
 1-conductor male connector; CAGE CLAMP®; 2.5 mm²; Pin spacing 5 mm; 9-pole; DIN-35 rail/panel mounting; Snap-in mounting feet; gray

1.1.2.1 Male connector/plug



**Item No.: 231-640/018-000**

1-conductor male connector; CAGE CLAMP®; 2.5 mm<sup>2</sup>; Pin spacing 5.08 mm; 10-pole; DIN-35 rail/panel mounting; Snap-in mounting feet; orange



**Item No.: 231-641/018-000**

1-conductor male connector; CAGE CLAMP®; 2.5 mm<sup>2</sup>; Pin spacing 5.08 mm; 11-pole; DIN-35 rail/panel mounting; Snap-in mounting feet; orange



**Item No.: 231-642/018-000**

1-conductor male connector; CAGE CLAMP®; 2.5 mm<sup>2</sup>; Pin spacing 5.08 mm; 12-pole; DIN-35 rail/panel mounting; Snap-in mounting feet; orange



**Item No.: 231-643/018-000**

1-conductor male connector; CAGE CLAMP®; 2.5 mm<sup>2</sup>; Pin spacing 5.08 mm; 13-pole; DIN-35 rail/panel mounting; Snap-in mounting feet; orange



**Item No.: 231-644/018-000**

1-conductor male connector; CAGE CLAMP®; 2.5 mm<sup>2</sup>; Pin spacing 5.08 mm; 14-pole; DIN-35 rail/panel mounting; Snap-in mounting feet; orange



**Item No.: 231-645/018-000**

1-conductor male connector; CAGE CLAMP®; 2.5 mm<sup>2</sup>; Pin spacing 5.08 mm; 15-pole; DIN-35 rail/panel mounting; Snap-in mounting feet; orange



**Item No.: 231-646/018-000**

1-conductor male connector; CAGE CLAMP®; 2.5 mm<sup>2</sup>; Pin spacing 5.08 mm; 16-pole; DIN-35 rail/panel mounting; Snap-in mounting feet; orange



**Item No.: 231-632/018-000**

1-conductor male connector; CAGE CLAMP®; 2.5 mm<sup>2</sup>; Pin spacing 5.08 mm; 2-pole; DIN-35 rail/panel mounting; Snap-in mounting feet; orange



**Item No.: 231-633/018-000**

1-conductor male connector; CAGE CLAMP®; 2.5 mm<sup>2</sup>; Pin spacing 5.08 mm; 3-pole; DIN-35 rail/panel mounting; Snap-in mounting feet; orange



**Item No.: 231-634/018-000**

1-conductor male connector; CAGE CLAMP®; 2.5 mm<sup>2</sup>; Pin spacing 5.08 mm; 4-pole; DIN-35 rail/panel mounting; Snap-in mounting feet; orange



**Item No.: 231-635/018-000**

1-conductor male connector; CAGE CLAMP®; 2.5 mm<sup>2</sup>; Pin spacing 5.08 mm; 5-pole; DIN-35 rail/panel mounting; Snap-in mounting feet; orange



**Item No.: 231-636/018-000**

1-conductor male connector; CAGE CLAMP®; 2.5 mm<sup>2</sup>; Pin spacing 5.08 mm; 6-pole; DIN-35 rail/panel mounting; Snap-in mounting feet; orange



**Item No.: 231-637/018-000**

1-conductor male connector; CAGE CLAMP®; 2.5 mm<sup>2</sup>; Pin spacing 5.08 mm; 7-pole; DIN-35 rail/panel mounting; Snap-in mounting feet; orange



**Item No.: 231-638/018-000**

1-conductor male connector; CAGE CLAMP®; 2.5 mm<sup>2</sup>; Pin spacing 5.08 mm; 8-pole; DIN-35 rail/panel mounting; Snap-in mounting feet; orange



**Item No.: 231-639/018-000**

1-conductor male connector; CAGE CLAMP®; 2.5 mm<sup>2</sup>; Pin spacing 5.08 mm; 9-pole; DIN-35 rail/panel mounting; Snap-in mounting feet; orange

1.1.3 Shield termination

1.1.3.1 Shield clamping saddles

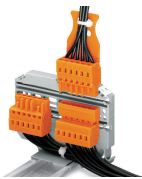


**Item No.: 790-108**

Shield clamping saddle; 11 mm wide; diameter of compatible conductor; 3 ... 8 mm

Installation Notes

Application

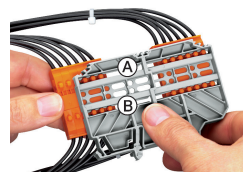
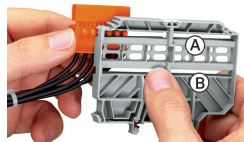
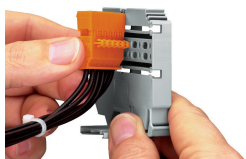


The pluggable male or female connector can also be fitted with a strain relief plate.



The adapter can be marked either with WSB, Mini-WSB or WMB markers.

Installation



Both male and female connectors remain pluggable when they are mounted on the multi mounting adapter via its oblong holes or open grooves (A/B).

If a connector is pushed from the side into the open grooves (A/B) of the multi mounting adapter, the plug connection will be reliably protected from unintentional disconnection when mounted.

Subject to changes. Please also observe the further product documentation!

---

Current addresses can be found at: [www.wago.com](http://www.wago.com)