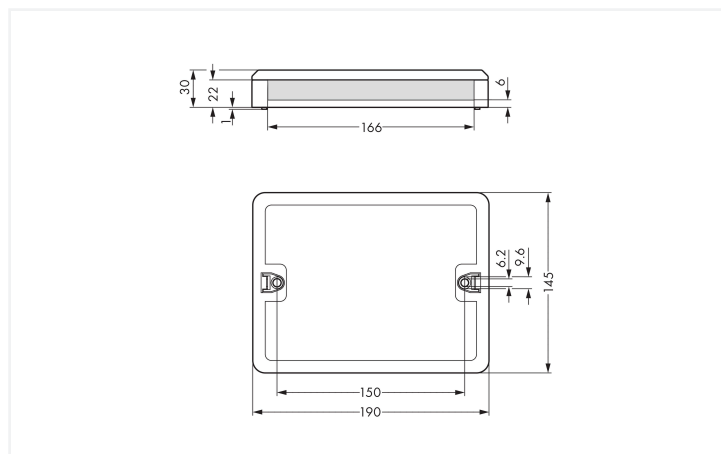
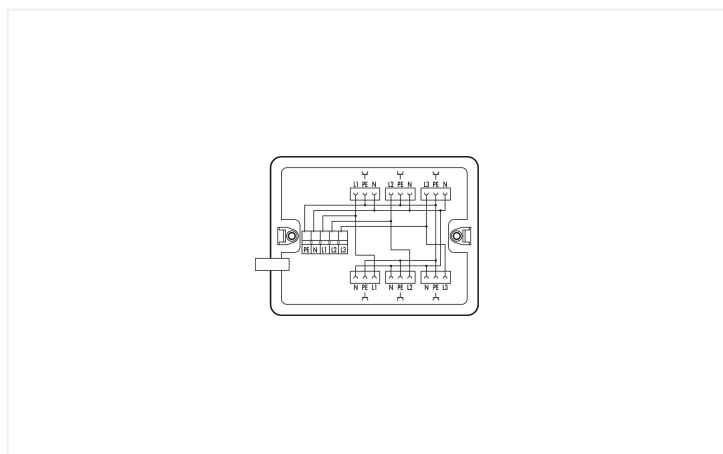


# Data Sheet | Item Number: 899-681/123-000

Distribution box; Three-phase to single-phase current (400 V/230 V); supply cable entry; 6 outputs; Cod. A; MIDI; white

<https://www.wago.com/899-681/123-000>



Color: ■ white

Dimensions in mm

Distribution box WINSTA® rated current 25 A

The distribution box from the WINSTA® product line with a current rating of 25 A guarantees you the maximum flexibility in electrical installation. An extensive range of accessories complements the WINSTA® product line from WAGO. The mechanical coding and color coding of the distribution box ensure error-free installation of the individual components – including protection against mismatching. The distribution box is protected in accordance with protection type IP20 (When mated: IP2xC (These compact connectors are not designed for use in open, easily accessible areas!)). That results in the fact that users' fingers will never come into contact with electrified contact elements. The WINSTA® distribution box with A coding in white or black is usually used for general mains applications in power distribution. This distribution box can be used for electrical currents up to 25 A. Thus the product is also suitable for high power loads.

Push-in CAGE CLAMP® spring pressure connection technology – pluggable installation instead of laborious screw connections!

The WINSTA® Pluggable Connection System is perfectly tailored to the strict requirements of building installation. It makes electrical installation pluggable, and consequently more efficient, even more reliable, and error-free. Using this pre-assembled system decreases time spent on assembly and errors during installation at the construction site. Now you can also lower installation costs without compromising quality and safety: with protection against mismatching eliminates the need for servicing and prevents unnecessary downtime.

- effective protection against mismatching
- intuitive marking
- saves time, since no wiring is required at the construction site
- with A coding for a large number of uses
- quick replacement of defective units during ongoing operation

## Electrical data

Ratings per	IEC/EN 60664-1		
Overvoltage category	III	III	II
Pollution degree	3	2	2
Nominal voltage	400 V	-	-
Rated impulse withstand voltage	6 kV	-	-
Rated current	25 A	-	-

Ratings per IEC/EN 2	
Rated voltage (III / 3)	250 V
Rated impulse withstand voltage (III/3)	4 kV

### General information

Note on contact resistance	approx. 1 mΩ contact resistance approx. 0.25 mΩ contact transition (plug/ socket)
----------------------------	---

### Connection Data

Connection 1		Connection 2	
Connection type	Input	Connection type	Output
		Connector	MIDI socket, 3-pole (770-223)

### Physical data

Width	190 mm / 7.48 inches
Height	31 mm / 1.22 inches
Depth	145 mm / 5.709 inches

### Mechanical data

Internal wiring	4 mm <sup>2</sup>
Use	Three-phase to single-phase current (400 V / 230 V)
Coding	A
Mounting type	Wall, screw mount Installation on mounting plate
Protection type	IP20; When mated: IP2xC (These compact connectors are not designed for use in open, easily accessible areas!)

### Plug-in connection

Mismating protection	Yes
Note on mismating protection	All <i>WINSTA</i> ® components are 100% protected against mismating when: a.) plugging different numbers of poles b.) plugging while rotated 180 c.) plugging while laterally staggered d.) plugging one pole
Locking of plug-in connection	Locking lever

### Material data

Note (material data)	<a href="#">Information on material specifications can be found here</a>
Color	white
Insulation material (main housing)	Polyamide (PA66)
Flammability class per UL94	V0
Contact material	Copper or copper alloy; surface-treated
Contact Plating	Tin
Fire load	7.587 MJ
Weight	440 g

Environmental requirements	
Processing temperature	-5 ... +40 °C
Continuous operating temperature	-35 ... +85 °C
Note on continuous operating temperature	Insulating parts for temperatures ≤ 105 °C

Commercial data	
PU (SPU)	1 pcs
Packaging type	Box
Country of origin	DE
GTIN	4055143308328
Customs tariff number	85366990990

Product Classification	
UNSPSC	39121308
eCl@ss 10.0	27-44-06-03
eCl@ss 9.0	27-44-06-03
ETIM 9.0	EC002567
ETIM 10.0	EC002567
ECCN	NO US CLASSIFICATION

Environmental Product Compliance	
RoHS Compliance Status	Compliant, No Exemption

## Downloads

### Environmental Product Compliance

Compliance Search	
Environmental Product Compliance 899-681/123-000	<a href="#">↓</a>

## Documentation

Bid Text			
899-681/123-000	19.02.2019	xml 3.80 KB	<a href="#">↓</a>
899-681/123-000	23.02.2015	doc 26.50 KB	<a href="#">↓</a>
ausschreiben.de 899-681/123-000			<a href="#">↓</a>

## 1 Compatible Products

### 1.1 System counterpart

#### 1.1.1 Cable assembly



**Item No.: 771-9993/206-102**

pre-assembled connecting cable; Eca; Plug/open-ended; 3-pole; Cod. A; H05VV-F 3G 1.5 mm<sup>2</sup>; 1 m; 1,50 mm<sup>2</sup>; white



**Item No.: 771-9993/006-102**

pre-assembled interconnecting cable; Eca; Socket/plug; 3-pole; Cod. A; H05VV-F 3G 1.5 mm<sup>2</sup>; 1 m; 1,50 mm<sup>2</sup>; white

#### 1.1.2 Male connector/plug



**Item No.: 770-233**

Plug; 3-pole; Cod. A; white



**Item No.: 770-133**

Plug; with strain relief housing; 3-pole; Cod. A; 4,00 mm<sup>2</sup>; white



**Item No.: 770-233/035-050**

Plug; with strain relief housing; 3-pole; Cod. A; 4,00 mm<sup>2</sup>; white

## 1.2 Optional Accessories

### 1.2.1 Installation

#### 1.2.1.1 Mounting accessories



**Item No.: 899-680**

Mounting plate; for distribution boxes; gray

## Installation Notes

### Installation

