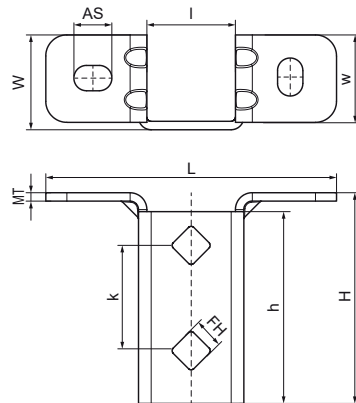


## Walraven RapidStrut® Stainless Steel T-shape Base Plate

(M5310)

light base foot to connect fixing rails



### Features & benefits

- highly flexible base plate for Walraven RapidStrut® rails
- open side of the rail can be turned to all sides
- extra safety by reinforced bending
- hole pattern is adapted to the hole pattern of Walraven RapidStrut® rails
- material: stainless steel 1.4401 (A4) - EN 10088, AISI 316



Product Number	For Rail Type	Total Height	Total Width	Total Length	Width	Height	Length	Heart To Heart Distance	Anchoring Slot	Fixing Hole	Material Thickness	Material Thickness 2	Maximum Allowed Load Faz
<i>Reference Letter</i>		<i>H</i>	<i>W</i>	<i>L</i>	<i>w</i>	<i>h</i>	<i>l</i>	<i>k</i>	<i>AS</i>	<i>FH</i>	<i>MT</i>	<i>MT2</i>	<i>F<sub>0,z</sub></i>
<i>Unit description</i>		<i>mm</i>	<i>mm</i>	<i>mm</i>	<i>mm</i>	<i>mm</i>	<i>mm</i>	<i>mm</i>	<i>mm</i>	<i>mm</i>	<i>mm</i>	<i>mm</i>	<i>N</i>
66587361	41x21, 41x41	100	45	138	41.5	91	42	50	18x12	1,380	4.00	0	3,636