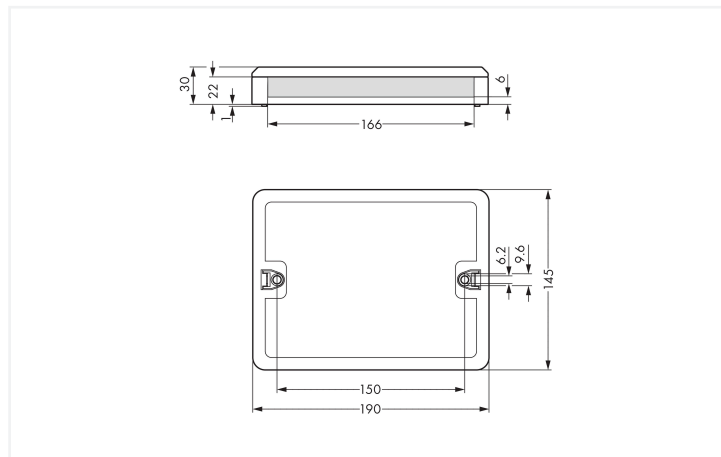
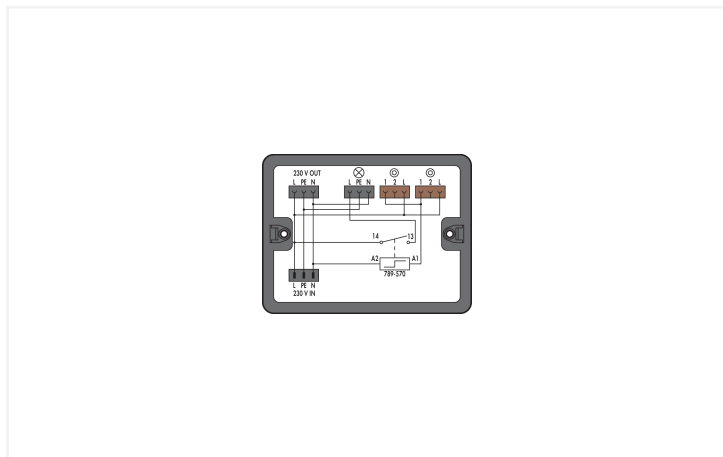


Data Sheet | Item Number: 899-632/138-000

Distribution box; Surge switch circuit; 1 input; 4 outputs; Cod. A, S; MIDI; black

<https://www.wago.com/899-632/138-000>



Color: ■ black

Dimensions in mm

Distribution box WINSTA® with protection against mismatching

The distribution box from the WINSTA® product line with A coding guarantees you the maximum flexibility in electrical installation. You can rely on the level of quality of WINSTA® components from WAGO for your electrical installation accessories too. For greater security in electrical installations, the distribution box is provided with mechanical protection against mismatching. The distribution box is protected against ingress by solid objects in accordance with protection type IP20 (When mated: IP2xC (These compact connectors are not designed for use in open, easily accessible areas!)). The WINSTA® distribution box with A coding in white or black is usually used for general mains applications in power distribution. This distribution box can be used for electrical currents up to 25 A. Thus the product is also suitable for high power loads.

WINSTA® solutions for your electrical installation – protected against mismatching and maintenance-free

The WINSTA® Pluggable Connection System allows pluggable electrical installation. This significantly reduces the need for servicing and lowers costs. Enjoy the benefits of the pluggable version of our maintenance-free spring pressure connection technology too! Plan your installation with with protection type IP20 from WAGO.

- distribution boxes with protection against mismatching
- intuitive marking
- saves time, since no wiring is required at the construction site
- with A coding for a large number of applications
- quick replacement of defective units during ongoing operation

Electrical data					
Ratings per	IEC/EN 60664-1			Ratings per IEC/EN 2	
	Overvoltage category	III	III	II	Rated current
Pollution degree	3	2	2		
Nominal voltage	250 V	-	-		
Rated impulse withstand voltage	4 kV	-	-		
Rated current	25 A	-	-		

General information

Note on contact resistance	approx. 1 mΩ contact resistance approx. 0.25 mΩ contact transition (plug/ socket)
----------------------------	---

Connection Data

Connection 1

Connection type	Input
Pluggable connector	MIDI plug, 3-pole (770-213)

Connection 2

Connection type	Output
Connector	MIDI socket, 3-pole (770-203)

Connection 3

Connection type	Output
Connector	MIDI socket, 3-pole (770-1363)

Physical data

Width	190 mm / 7.48 inches
Height	31 mm / 1.22 inches
Depth	145 mm / 5.709 inches

Mechanical data

Internal wiring	2.5 mm ² 4 mm ²
Use	Latching relay
Coding	A
Coding 2	S
Design	for 2 buttons
Mounting type	Wall, screw mount Installation on mounting plate
Protection type	IP20; When mated: IP2xC (These compact connectors are not designed for use in open, easily accessible areas!)

Plug-in connection

Mismating protection	Yes
Note on mismating protection	All <i>WINSTA</i> ® components are 100% protected against mismating when: a.) plugging different numbers of poles b.) plugging while rotated 180 c.) plugging while laterally staggered d.) plugging one pole
Locking of plug-in connection	Locking lever

Material data

Note (material data)	Information on material specifications can be found here
Color	black
Insulation material (main housing)	Polyamide (PA66)
Flammability class per UL94	V0
Contact material	Copper or copper alloy; surface-treated
Contact Plating	Tin
Fire load	7.408 MJ
Weight	424 g

Environmental requirements	
Processing temperature	-5 ... +40 °C
Continuous operating temperature	-35 ... +85 °C
Note on continuous operating temperature	Insulating parts for temperatures ≤ 105 °C

Commercial data	
PU (SPU)	1 pcs
Packaging type	Box
Country of origin	DE
GTIN	4055143306492
Customs tariff number	85366990990

Product Classification	
UNSPSC	39121308
eCl@ss 10.0	27-44-06-03
eCl@ss 9.0	27-44-06-03
ETIM 9.0	EC002567
ETIM 10.0	EC002567
ECCN	NO US CLASSIFICATION

Environmental Product Compliance	
RoHS Compliance Status	Compliant, No Exemption

Downloads

Environmental Product Compliance

Compliance Search	
Environmental Product Compliance 899-632/138-000	↓

Documentation

Bid Text			
899-632/138-000	19.02.2019	xml 3.41 KB	↓
899-632/138-000	11.03.2015	doc 25.50 KB	↓

1 Compatible Products

1.1 System counterpart

1.1.1 Cable assembly



Item No.: 771-9993/206-101
pre-assembled connecting cable; Eca;
Plug/open-ended; 3-pole; Cod. A; H05VV-F
3G 1.5 mm²; 1 m; 1,50 mm²; black



Item No.: 771-9973/206-105
pre-assembled connecting cable; Eca;
Plug/open-ended; 3-pole; Cod. S; H05VV-F
3 x 1.5 mm²; 1 m; 1,50 mm²; brown



Item No.: 771-9993/106-101
pre-assembled connecting cable; Eca;
Socket/open-ended; 3-pole; Cod. A;
H05VV-F 3G 1.5 mm²; 1 m; 1,50 mm²;
black



Item No.: 771-9993/006-101
pre-assembled interconnecting cable;
Eca; Socket/plug; 3-pole; Cod. A; H05VV-F
3G 1.5 mm²; 1 m; 1,50 mm²; black



Item No.: 771-9973/006-105
pre-assembled interconnecting cable;
Eca; Socket/plug; 3-pole; Cod. S; H05VV-F
3 x 1.5 mm²; 1 m; 1,50 mm²; brown

1.1.2 Female connector/socket



Item No.: 770-203
Socket; 3-pole; Cod. A; black



Item No.: 770-103
Socket; with strain relief housing; 3-pole;
Cod. A; 4,00 mm²; black



Item No.: 770-203/035-000
Socket; with strain relief housing; 3-pole;
Cod. A; 4,00 mm²; black

1.1.3 Male connector/plug



Item No.: 770-1373
Plug; 3-pole; 4,00 mm²; brown



Item No.: 770-213
Plug; 3-pole; Cod. A; black



Item No.: 770-113
Plug; with strain relief housing; 3-pole;
Cod. A; 4,00 mm²; black



Item No.: 770-213/035-000
Plug; with strain relief housing; 3-pole;
Cod. A; 4,00 mm²; black

1.2 Optional Accessories

1.2.1 Installation

1.2.1.1 Mounting accessories



Item No.: 899-680
Mounting plate; for distribution boxes; gray

Installation Notes

Installation

