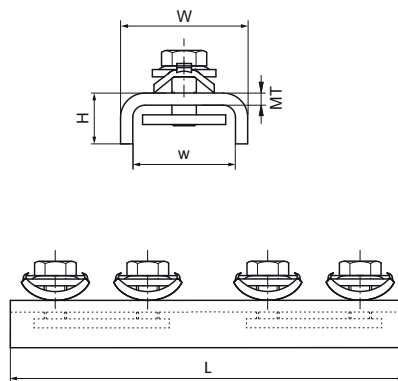
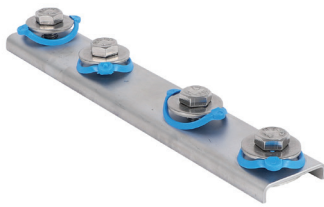


Walraven RapidRail® Stainless Steel Linear Connector

(M3410)

to make Walraven RapidRail® fabrications



Features & benefits

- connector with pre-assembled Walraven RapidRail® Slide nut(s)
- to make rail fabrications
- suitable for rails 30x15, 30x20, 30x30
- ready-to-use pre-assembled for a quick fixing, and retains assembly in place before final tightening
- material: stainless steel 1.4401/1.4404 (A4) - EN10088, AISI 316/316L; spring(s) made of of POM (polyoxymethylene), blue (according to RAL 5015)



Product Number	For Rail Type	Total Height	Total Width	Total Length	Material Thickness	Width	Maximum Allowed Load Fax
<i>Reference Letter</i>		<i>H</i>	<i>W</i>	<i>L</i>	<i>MT</i>	<i>w</i>	<i>F_{a,x}</i>
<i>Unit description</i>		<i>mm</i>	<i>mm</i>	<i>mm</i>	<i>mm</i>	<i>mm</i>	<i>N</i>
6547001	30x15, 30x30	22.8	34.5	200	2.00	30.5	1,547