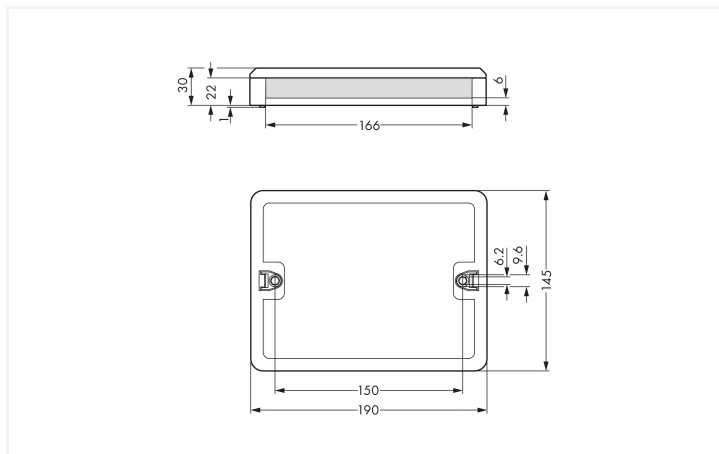
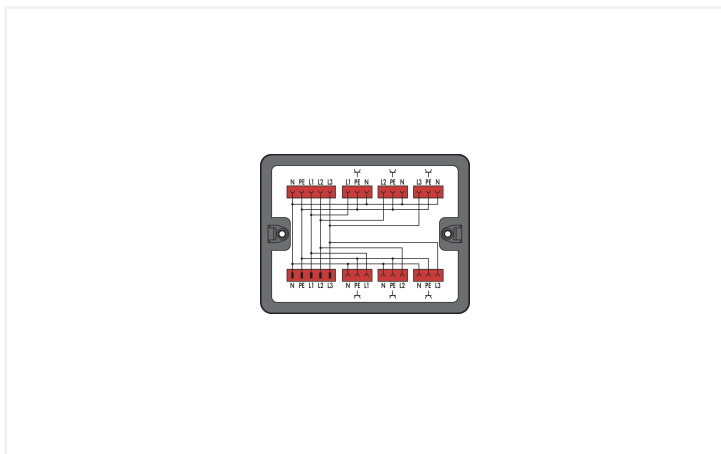


Data Sheet | Item Number: 899-631/186-000

Distribution box; Three-phase to single-phase current (400 V/230 V); 1 input; 7 outputs; Cod. P; MIDI; black

<https://www.wago.com/899-631/186-000>



Color: ■ black

Dimensions in mm

Distribution box WINSTA® with protection type IP20

Implement your installation project without difficulty: The distribution box from the WINSTA® product line with protection type IP20 is the solution for quick, straightforward installation. You can rely on the quality of WINSTA® components from WAGO for your electrical installation accessories too. The coding options reduce installation errors, allowing fast, maintenance-free wiring of all components. The distribution box is protected in accordance with protection type IP20 (When mated: IP2xC (These compact connectors are not designed for use in open, easily accessible areas!)). This means that users' fingers will never come into contact with energised contact elements. UPS applications for IT technology often use the red WINSTA® distribution boxes with P coding. This distribution box can be employed for a load of up to 25 A. Therefore, it can also be used for high power loads.

WINSTA® solutions for your electrical installation – protected against mismatching and maintenance-free

WINSTA® is the pluggable connection system that is perfectly tailored to the strict requirements of electrical installation. It offers fast, secure and, above all, error-free installation of components and cables. Now you can also cut installation costs without compromising safety and quality: with protection type IP20 eliminates the need for servicing and prevents unnecessary downtime.

- distribution boxes with protection against mismatching
- intuitive marking
- saves time, since no wiring is required at the construction site
- for UPS applications
- convenient installation and commissioning

Electrical data

Ratings per	IEC/EN 60664-1		
Overvoltage category	III	III	II
Pollution degree	3	2	2
Nominal voltage	400 V	-	-
Rated impulse withstand voltage	6 kV	-	-
Rated current	25 A	-	-

Ratings per IEC/EN 2	
Rated voltage (III / 3)	250 V
Rated impulse withstand voltage (III/3)	4 kV

General information

Note on contact resistance	approx. 1 mΩ contact resistance approx. 0.25 mΩ contact transition (plug/ socket)
----------------------------	---

Connection Data

Connection 1

Connection type	Input
Pluggable connector	MIDI plug, 5-pole (770-1315)

Connection 2

Connection type	Output
Connector	MIDI socket, 5-pole (770-1305)

Connection 3

Connection type	Output
Connector	MIDI socket, 3-pole (770-1303)

Physical data

Width	190 mm / 7.48 inches
Height	31 mm / 1.22 inches
Depth	145 mm / 5.709 inches

Mechanical data

Internal wiring	4 mm ²
Use	Three-phase to single-phase current (400 V / 230 V)
Coding	P
Mounting type	Wall, screw mount Installation on mounting plate
Protection type	IP20; When mated: IP2xC (These compact connectors are not designed for use in open, easily accessible areas!)

Plug-in connection

Mismating protection	Yes
Note on mismating protection	All <i>WINSTA</i> ® components are 100% protected against mismating when: a.) plugging different numbers of poles b.) plugging while rotated 180 c.) plugging while laterally staggered d.) plugging one pole
Locking of plug-in connection	Locking lever

Material data

Note (material data)	Information on material specifications can be found here
Color	black
Insulation material (main housing)	Polyamide (PA66)
Flammability class per UL94	V0
Contact material	Copper or copper alloy; surface-treated
Contact Plating	Tin
Fire load	7.742 MJ
Weight	401.9 g

Environmental requirements	
Processing temperature	-5 ... +40 °C
Continuous operating temperature	-35 ... +85 °C
Note on continuous operating temperature	Insulating parts for temperatures ≤ 105 °C

Commercial data	
PU (SPU)	1 pcs
Packaging type	Box
Country of origin	DE
GTIN	4055143293006
Customs tariff number	85366990990

Product Classification	
UNSPSC	39121406
eCl@ss 10.0	27-44-06-03
eCl@ss 9.0	27-44-06-03
ETIM 9.0	EC002567
ETIM 10.0	EC002567
ECCN	NO US CLASSIFICATION

Environmental Product Compliance	
RoHS Compliance Status	Compliant, No Exemption

Downloads

Environmental Product Compliance

Compliance Search	
Environmental Product Compliance 899-631/186-000	↓

Documentation

Bid Text			
899-631/186-000	19.02.2019	xml 3.50 KB	↓
899-631/186-000	23.02.2015	doc 25.50 KB	↓

1 Compatible Products

1.1 System counterpart

1.1.1 Cable assembly



Item No.: 771-9973/206-101

pre-assembled connecting cable; Eca; Plug/open-ended; 3-pole; Cod. P; H05VV-F 3G 1.5 mm²; 1 m; 1,50 mm²; red



Item No.: 771-9975/206-101

pre-assembled connecting cable; Eca; Plug/open-ended; 5-pole; Cod. P; H05VV-F 5G 1.5 mm²; 1 m; 1,50 mm²; red



Item No.: 771-9975/106-101

pre-assembled connecting cable; Eca; Socket/open-ended; 5-pole; Cod. P; H05VV-F 5G 1.5 mm²; 1 m; 1,50 mm²; red



Item No.: 771-9973/006-101

pre-assembled interconnecting cable; Eca; Socket/plug; 3-pole; Cod. P; H05VV-F 3G 1.5 mm²; 1 m; 1,50 mm²; red



Item No.: 771-9975/006-101

pre-assembled interconnecting cable; Eca; Socket/plug; 5-pole; Cod. P; H05VV-F 5G 1.5 mm²; 1 m; 1,50 mm²; red

1.1.2 Female connector/socket



Item No.: 770-1305

Socket; 5-pole; Cod. P; 4,00 mm²; red

1.1.3 Male connector/plug



Item No.: 770-1313

Plug; 3-pole; Cod. P; red



Item No.: 770-1315

Plug; 5-pole; Cod. P; 4,00 mm²; red

1.2 Optional Accessories

1.2.1 Installation

1.2.1.1 Mounting accessories



Item No.: 899-680

Mounting plate; for distribution boxes; gray

Installation Notes

Installation

