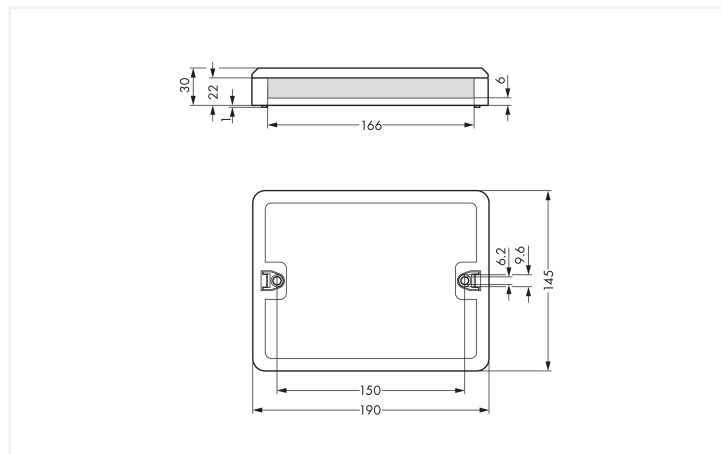
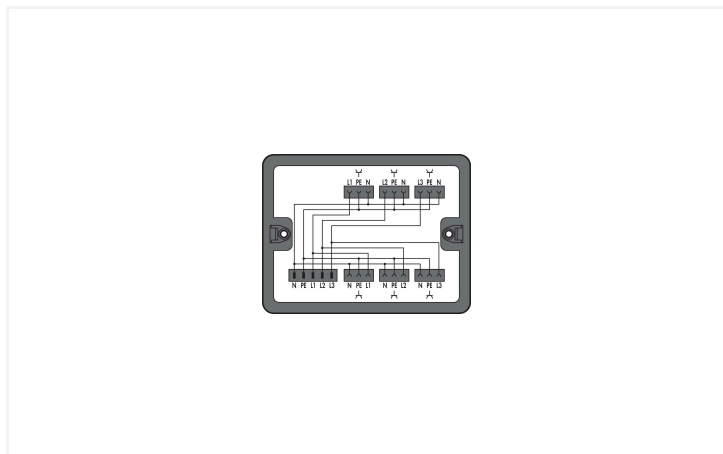


Data Sheet | Item Number: 899-631/105-000

Distribution box; Three-phase to single-phase current (400 V/230 V); 1 input; 6 outputs; Cod. A; MIDI; black

<https://www.wago.com/899-631/105-000>



Color: ■ black

Dimensions in mm

Distribution box *WINSTA*® rated current 25 A

Realize your installation project easily and quickly: The distribution box from the *WINSTA*® product line with A coding is the solution for error-free electrical installation. You can rely on the quality of *WINSTA*® components from WAGO for your electrical installation accessories too. The mechanical coding and color coding of the distribution box ensure error-free installation of the individual components – including protection against mismatching. The distribution box is protected in accordance with protection type IP20 (When mated: IP2xC (These compact connectors are not designed for use in open, easily accessible areas!)). This means that users' fingers will never come into contact with energised contact elements. General mains applications for almost any domain of use can be realised with *WINSTA*® distribution boxes with A coding. This distribution box can be used for electrical currents up to 25 A. Thus the product is especially suitable for high power loads.

WINSTA® solutions for your electrical installation – protected against mismatching and maintenance-free

The *WINSTA*® Pluggable Connection System allows pluggable electrical installation. This significantly reduces the need for servicing and lowers costs. Now you can also lower installation costs without compromising quality and safety: with protection against mismatching reduces the need for servicing and prevents unnecessary downtime.

- distribution boxes with protection against mismatching
- intuitive marking
- saves time, since no wiring is required at the construction site
- with A coding for a large number of uses
- rapid, structured electrical installation

Electrical data

Ratings per

IEC/EN 60664-1

| | | | |
|---------------------------------|-------|-----|----|
| Overvoltage category | III | III | II |
| Pollution degree | 3 | 2 | 2 |
| Nominal voltage | 400 V | - | - |
| Rated impulse withstand voltage | 6 kV | - | - |
| Rated current | 25 A | - | - |

Ratings per IEC/EN 2

| | |
|---|-------|
| Rated voltage (III / 3) | 250 V |
| Rated impulse withstand voltage (III/3) | 4 kV |

General information

| | |
|----------------------------|---|
| Note on contact resistance | approx. 1 mΩ contact resistance approx. 0.25 mΩ contact transition (plug/ socket) |
|----------------------------|---|

Connection Data

Connection 1

| | |
|---------------------|-----------------------------|
| Connection type | Input |
| Pluggable connector | MIDI plug, 5-pole (770-215) |

Connection 2

| | |
|-----------------|-------------------------------|
| Connection type | Output |
| Connector | MIDI socket, 3-pole (770-203) |

Physical data

| | |
|--------|-----------------------|
| Width | 190 mm / 7.48 inches |
| Height | 31 mm / 1.22 inches |
| Depth | 145 mm / 5.709 inches |

Mechanical data

| | |
|-----------------|---|
| Internal wiring | 4 mm ² |
| Use | Three-phase to single-phase current (400 V / 230 V) |
| Coding | A |
| Mounting type | Wall, screw mount Installation on mounting plate |
| Protection type | IP20; When mated: IP2xC (These compact connectors are not designed for use in open, easily accessible areas!) |

Plug-in connection

| | |
|-------------------------------|---|
| Mismating protection | Yes |
| Note on mismating protection | All <i>WINSTA</i> ® components are 100% protected against mismating when: a.) plugging different numbers of poles b.) plugging while rotated 180 c.) plugging while laterally staggered d.) plugging one pole |
| Locking of plug-in connection | Locking lever |

Material data

| | |
|------------------------------------|--|
| Note (material data) | Information on material specifications can be found here |
| Color | black |
| Insulation material (main housing) | Polyamide (PA66) |
| Flammability class per UL94 | V0 |
| Contact material | Copper or copper alloy; surface-treated |
| Contact Plating | Tin |
| Fire load | 18.719 MJ |
| Weight | 440 g |

| Environmental requirements | |
|--|--|
| Processing temperature | -5 ... +40 °C |
| Continuous operating temperature | -35 ... +85 °C |
| Note on continuous operating temperature | Insulating parts for temperatures ≤ 105 °C |

| Commercial data | |
|-----------------------|---------------|
| PU (SPU) | 1 pcs |
| Packaging type | Box |
| Country of origin | DE |
| GTIN | 4055143290142 |
| Customs tariff number | 85366990990 |

| Product Classification | |
|------------------------|----------------------|
| UNSPSC | 39121406 |
| eCl@ss 10.0 | 27-44-06-03 |
| eCl@ss 9.0 | 27-44-06-03 |
| ETIM 9.0 | EC002567 |
| ETIM 10.0 | EC002567 |
| ECCN | NO US CLASSIFICATION |

| Environmental Product Compliance | |
|----------------------------------|-------------------------|
| RoHS Compliance Status | Compliant, No Exemption |

Downloads

Environmental Product Compliance

| Compliance Search | |
|---|-------------------|
| Environmental Product Compliance 899-631/105-000 | ↓ |

Documentation

| Bid Text | | | |
|-----------------|------------|-----------------|-------------------|
| 899-631/105-000 | 19.02.2019 | xml 3.50 KB | ↓ |
| 899-631/105-000 | 23.02.2015 | doc 26.00 KB | ↓ |

1 Compatible Products

1.1 System counterpart

1.1.1 Cable assembly



Item No.: 771-9993/206-101
pre-assembled connecting cable; Eca; Plug/open-ended; 3-pole; Cod. A; H05VV-F 3G 1.5 mm²; 1 m; 1,50 mm²; black



Item No.: 771-9995/106-101
pre-assembled connecting cable; Eca; Socket/open-ended; 5-pole; Cod. A; H05VV-F 5G 1.5 mm²; 1 m; 1,50 mm²; black



Item No.: 771-9993/006-101
pre-assembled interconnecting cable; Eca; Socket/plug; 3-pole; Cod. A; H05VV-F 3G 1.5 mm²; 1 m; 1,50 mm²; black



Item No.: 771-9995/006-101
pre-assembled interconnecting cable; Eca; Socket/plug; 5-pole; Cod. A; H05VV-F 5G 1.5 mm²; 1 m; 1,50 mm²; black

1.1.2 Female connector/socket



Item No.: 770-205
Socket; 5-pole; Cod. A; 4,00 mm²; black



Item No.: 770-405
Socket; 5-pole; Cod. A; 4,00 mm²; black



Item No.: 770-105
Socket; with strain relief housing; 5-pole; Cod. A; 4,00 mm²; black



Item No.: 770-305
Socket; with strain relief housing; 5-pole; Cod. A; 4,00 mm²; black

1.1.3 Male connector/plug



Item No.: 770-213
Plug; 3-pole; Cod. A; black



Item No.: 770-113
Plug; with strain relief housing; 3-pole; Cod. A; 4,00 mm²; black



Item No.: 770-213/035-000
Plug; with strain relief housing; 3-pole; Cod. A; 4,00 mm²; black

1.2 Optional Accessories

1.2.1 Installation

1.2.1.1 Mounting accessories



Item No.: 899-680
Mounting plate; for distribution boxes; gray

Installation Notes

Installation

