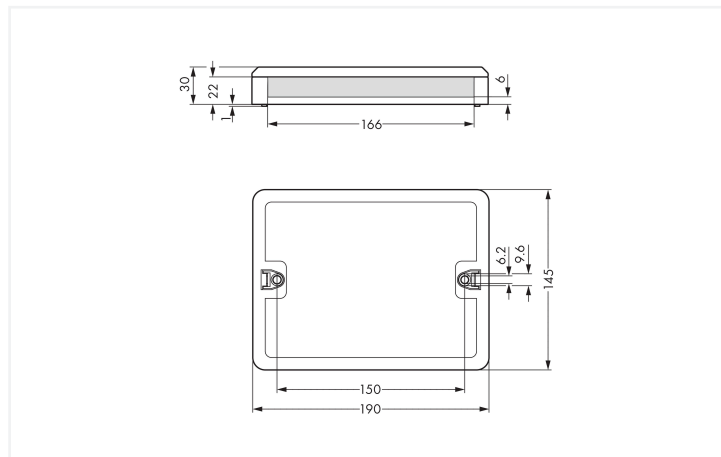
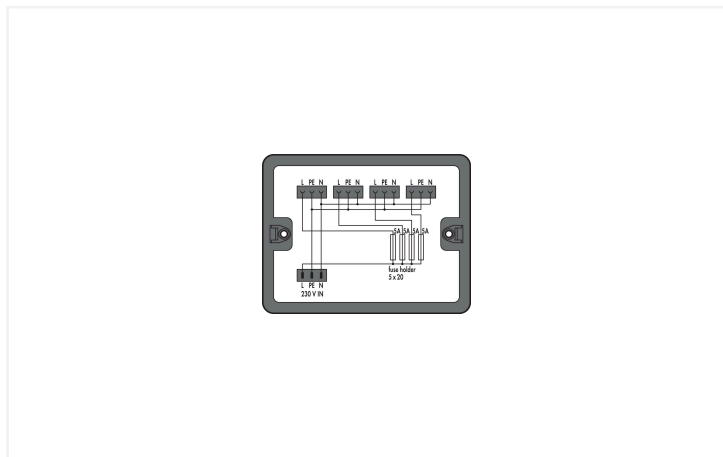


Data Sheet | Item Number: 899-631/315-000

Distribution box; Cable and device protection; 1 input; 4 outputs; Cod. A; MIDI; black

<https://www.wago.com/899-631/315-000>



Color: ■ black

Dimensions in mm

Distribution box *WINSTA*® rated current 5 A

With the distribution box from the *WINSTA*® product line with A coding, error-free installation is guaranteed. A comprehensive range of accessories complements the *WINSTA*® product line from WAGO. The coding options reduce installation errors, allowing fast, maintenance-free wiring of all components. The distribution box is protected against ingress by solid objects in accordance with protection type IP20 (When mated: IP2xC (These compact connectors are not designed for use in open, easily accessible areas!)). The *WINSTA*® distribution box with A coding in white or black is normally used for general mains applications in power distribution.

WINSTA® solutions for your electrical installation – protected against mismatching and maintenance-free

The *WINSTA*® Pluggable Connection System is perfectly tailored to the very strict requirements of building installation. It makes electrical installation pluggable, and thus more efficient, even more reliable, and error-free. Use of this pre-assembled system decreases time spent on assembly and installation errors at the construction site. Choose durability and quality – with protection against mismatching from WAGO makes the electrical installation of electrical components substantially easier.

- effective protection against mismatching
- clear slot identification for easy commissioning
- saves time, since no wiring is required at the construction site
- suitable for any application
- rapid, structured electrical installation

Electrical data

Ratings per	IEC/EN 60664-1		
Overvoltage category	III	III	II
Pollution degree	3	2	2
Nominal voltage	250 V	-	-
Rated impulse withstand voltage	4 kV	-	-
Rated current	5 A	-	-

General information

Note on contact resistance	approx. 1 mΩ contact resistance approx. 0.25 mΩ contact transition (plug/ socket)
----------------------------	---

Connection Data

Connection 1

Connection type	Input
Pluggable connector	MIDI plug, 3-pole (770-213)

Connection 2

Connection type	Output
Connector	MIDI socket, 3-pole (770-203)

Physical data

Width	190 mm / 7.48 inches
Height	31 mm / 1.22 inches
Depth	145 mm / 5.709 inches

Mechanical data

Use	Cable and device protection
Coding	A
Mounting type	Wall, screw mount Installation on mounting plate
Protection type	IP20; When mated: IP2xC (These compact connectors are not designed for use in open, easily accessible areas!)
Internal wiring	2.5 mm ²

Plug-in connection

Mismating protection	Yes
Note on mismating protection	All <i>WINSTA</i> ® components are 100% protected against mismating when: a.) plugging different numbers of poles b.) plugging while rotated 180 c.) plugging while laterally staggered d.) plugging one pole
Locking of plug-in connection	Locking lever

Material data

Note (material data)	Information on material specifications can be found here
Color	black
Insulation material (main housing)	Polyamide (PA66)
Flammability class per UL94	V0
Contact material	Copper or copper alloy; surface-treated
Contact Plating	Tin
Fire load	13.475 MJ
Weight	389.7 g

Environmental requirements

Processing temperature	-5 ... +40 °C
Continuous operating temperature	-35 ... +85 °C
Note on continuous operating temperature	Insulating parts for temperatures ≤ 105 °C

Commercial data

PU (SPU)	1 pcs
Packaging type	Box
Country of origin	DE
GTIN	4055143308366
Customs tariff number	85366990990

Product Classification

UNSPSC	39121308
eCl@ss 10.0	27-44-06-03
eCl@ss 9.0	27-44-06-03
ETIM 9.0	EC002567
ETIM 10.0	EC002567
ECCN	NO US CLASSIFICATION

Environmental Product Compliance

RoHS Compliance Status	Compliant, No Exemption
------------------------	-------------------------

Downloads

Environmental Product Compliance

Compliance Search	
Environmental Product Compliance 899-631/315-000	↓

Documentation

Bid Text			
899-631/315-000	19.02.2019	xml 3.47 KB	↓
899-631/315-000	11.03.2015	doc 25.50 KB	↓

1 Compatible Products

1.1 System counterpart

1.1.1 Cable assembly



Item No.: 771-9993/206-101
pre-assembled connecting cable; Eca; Plug/open-ended; 3-pole; Cod. A; H05VV-F 3G 1.5 mm²; 1 m; 1,50 mm²; black

Item No.: 771-9993/106-101
pre-assembled connecting cable; Eca; Socket/open-ended; 3-pole; Cod. A; H05VV-F 3G 1.5 mm²; 1 m; 1,50 mm²; black

Item No.: 771-9993/006-101
pre-assembled interconnecting cable; Eca; Socket/plug; 3-pole; Cod. A; H05VV-F 3G 1.5 mm²; 1 m; 1,50 mm²; black

1.1.2 Female connector/socket



Item No.: 770-203

Socket; 3-pole; Cod. A; black



Item No.: 770-103

Socket; with strain relief housing; 3-pole;
Cod. A; 4,00 mm²; black



Item No.: 770-203/035-000

Socket; with strain relief housing; 3-pole;
Cod. A; 4,00 mm²; black

1.1.3 Male connector/plug



Item No.: 770-213

Plug; 3-pole; Cod. A; black



Item No.: 770-113

Plug; with strain relief housing; 3-pole;
Cod. A; 4,00 mm²; black



Item No.: 770-213/035-000

Plug; with strain relief housing; 3-pole;
Cod. A; 4,00 mm²; black

1.2 Optional Accessories

1.2.1 Installation

1.2.1.1 Mounting accessories



Item No.: 899-680

Mounting plate; for distribution boxes; gray

Installation Notes

Installation

