



Features

• Insaver Slim is a ceiling recessed LED downlight (IP65 from the front and back), Die-cast aluminium body, loop in loop out connector for quick installation, Non dimmable LED driver, 20W; 2500lm; 125lm/W; 4000K; UGR <19 with shallow product depth 60mm. IK07 for the fixture, IK03 for the IP driver box. When using with EM kit (0046600& 0046601), protection IP65 kept only from the front. Meets TP(a) requirements.

Product Overview

Product name	Insaver Slim UGR19 IP65 205 2500lm 840
Technology	LED
Cap/Base	N/A
Housing	Aluminium
Mount	Ceiling recessed mounting
E-number FI	4579608
Fixture luminous flux (lm)	2500
Luminaire efficacy (lm/W)	125
Colour temperature (K)	4000
Light colour	Neutral White
CRI (Ra)	80
Colour Variation Initial (SDCM)	3
Glare control	< 19
Photobiological Risk Group	RG1
Total power consumption (W)	20
Electrical protection	Class II
Control gear type	LED driver constant current
LED Flickering Rate	Ultra low (5% or less)
Housing colour	RAL 9010 - Pure white
IP rating	IP65
IK rating	IK03

Insaver Slim UGR19 IP65 205 2500lm 840 0030531

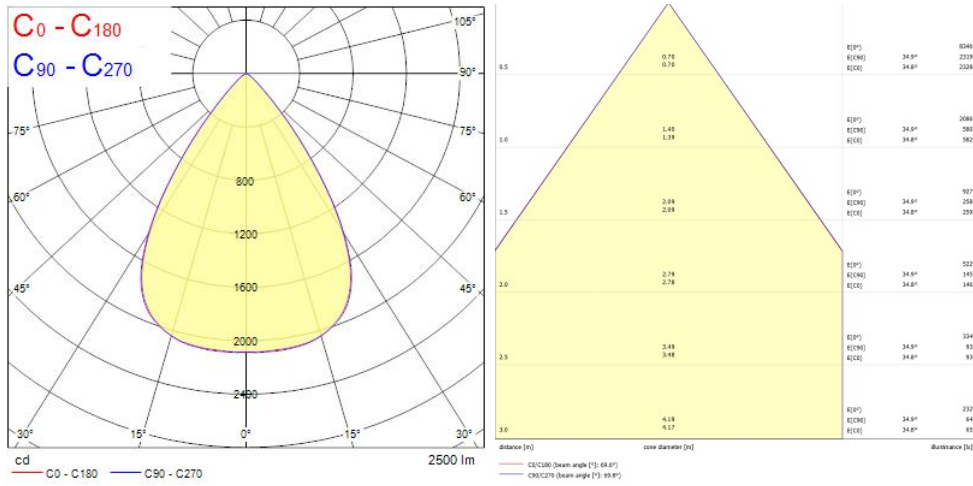
Product EAN number

5410288305318

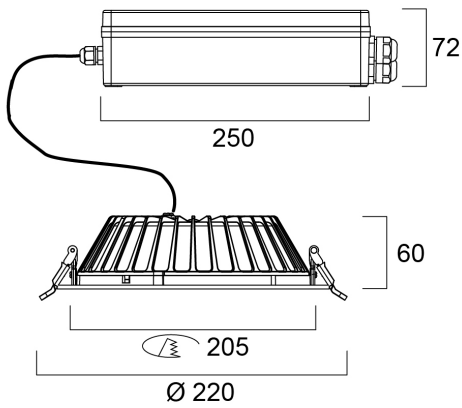
Warranty

5 years

Photometry



Technical drawings



Data table

Insaver Slim UGR19 IP65 205 2500lm 840 0030531

GENERAL DATA

Product name	Insaver Slim UGR19 IP65 205 2500lm 840
Technology	LED
Cap/Base	N/A
Housing	Aluminium
Mount	Ceiling recessed mounting
Operating temperature range (°C)	-20°C...+40°C
E-number FI	4579608
Warranty	5 years

OPTICAL DATA

Fixture luminous flux (lm)	2500
Luminaire efficacy (lm/W)	125
Colour temperature (K)	4000
Light colour	Neutral White
CRI (Ra)	80
Colour Variation Initial (SDCM)	3
Glare control	< 19
Photobiological Risk Group	RG1

ELECTRICAL DATA

Total power consumption (W)	20
Primary Supply/Product voltage - min (V)	220
Lamp power factor	0.9
Electrical protection	Class II
Control gear required	No
Control gear type	LED driver constant current
Drive current (mA)	600
Inrush Current (A)	20
Inrush Duration (µs)	101
Glow Wire Test (°C)	850
Energy Efficiency Class (A->G) of contained light source	D

Insaver Slim UGR19 IP65 205 2500lm 840 0030531

Nominal Frequency (Hz)	50/60Hz
LED Flickering Rate	Ultra low (5% or less)
Max. products per 10A C Breaker	38
Connectable conductor cross section - Min (mm ²)	0.75
Connectable conductor cross section - Max (mm ²)	1.5

LIFETIME DATA

Lifespan L70 B50	100000
Lifespan L80 B20	88000
Lifespan L80 B10	80000
Lifespan L90 B10	39000

PHYSICAL DATA

Housing colour	RAL 9010 - Pure white
IP rating	IP65
IK rating	IK03
Diffuser finish	Other
Diffuser material	None
Nominal Product Diameter (mm)	220
Weight (kg)	1.064

PACKAGING

Single packaging type	Carton
Product EAN number	5410288305318
Packaging single width (cm)	32.5
Packaging single depth (cm)	11.0
DUN14 (outer)	15410288305315
Packaging outer length / height (cm)	67.0

SAFETY DATA

Optimal operating condition (°C)	-20-40
----------------------------------	--------

Insaver Slim UGR19 IP65 205 2500lm 840

0030531

Special purpose lamp	No
Dry applications use only	No
Suitable for household illumination	No