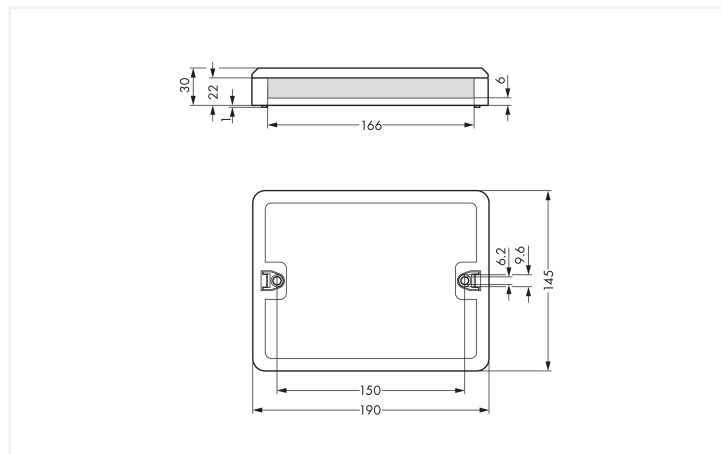
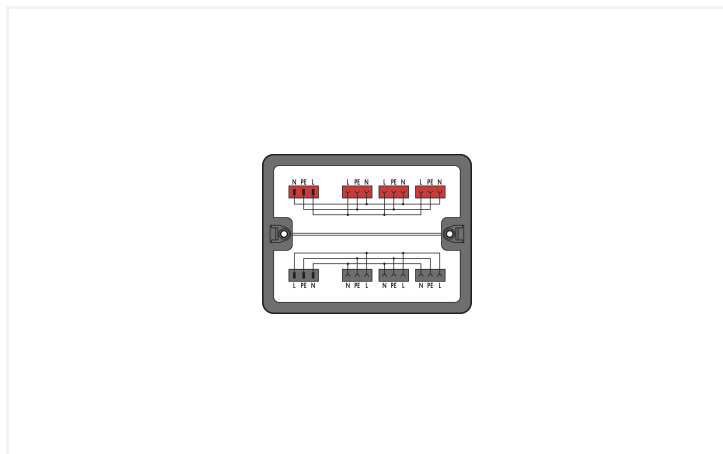


Data Sheet | Item Number: 899-631/311-000

Distribution box; Single-phase current (230 V); 2 inputs; 6 outputs; Cod. A, P; MIDI; black

<https://www.wago.com/899-631/311-000>



Color: ■ black

Dimensions in mm

Distribution box WINSTA® with protection against mismatching

The distribution box from the WINSTA® product line with protection type IP20 is the best solution for straightforward installation. With WAGO, you get enjoy the advantages of a large selection of expansions for the WINSTA® product line. The color coding and mechanical coding of the distribution box ensure error-free installation of the individual components – including protection against mismatching. The distribution box is protected in accordance with protection type IP20 (When mated: IP2xC (These compact connectors are not designed for use in open, easily accessible areas!)). That results in the fact that users' fingers will never come into contact with live elements. Thanks to the color coding and mechanical A coding of WINSTA® distribution boxes, you can clearly distinguish different circuits. The rated current and voltage are important criteria for selecting a distribution box: They tell us about the product's domains of use. This product has a current rating of 25 A – so it is also suitable for powerful loads.

Lower costs through fast commissioning and elimination of service expenses – solutions from WINSTA®

The WINSTA® Pluggable Connection System allows pluggable electrical installation. This saves time, lowers costs, and reduces the need for servicing. Choose quality and durability – with protection against mismatching from WAGO makes the electrical installation of electrical components significantly easier.

- protection against mismatching eliminates errors
- clear slot identification for easy commissioning
- products perfectly tailored to your requirements guarantee safe use
- with A coding for use in a large number of general mains applications
- quick replacement of defective units during ongoing operation

Electrical data

Ratings per	IEC/EN 60664-1		
Overtoltage category	III	III	II
Pollution degree	3	2	2
Nominal voltage	250 V	-	-
Rated impulse withstand voltage	4 kV	-	-
Rated current	25 A	-	-

General information

Note on contact resistance	approx. 1 mΩ contact resistance approx. 0.25 mΩ contact transition (plug/ socket)
----------------------------	---

Connection Data

Connection 1

Connection type	Input
Pluggable connector	MIDI plug, 3-pole (770-213)

Connection 2

Connection type	Output
Connector	MIDI socket, 3-pole (770-203)

Connection 3

Connection type	Input
Connector	MIDI plug, 3-pole (770-1313)

Connection 4

Connection type	Output
Connector	MIDI socket, 3-pole (770-1303)

Physical data

Width	190 mm / 7.48 inches
Height	31 mm / 1.22 inches
Depth	145 mm / 5.709 inches

Mechanical data

Internal wiring	4 mm ²
Use	Single-phase current (230 V)
Coding	A
Coding 2	P
Mounting type	Wall, screw mount Installation on mounting plate
Protection type	IP20; When mated: IP2xC (These compact connectors are not designed for use in open, easily accessible areas!)

Plug-in connection

Mismating protection	Yes
Note on mismating protection	All WINSTA® components are 100% protected against mismating when: a.) plugging different numbers of poles b.) plugging while rotated 180 c.) plugging while laterally staggered d.) plugging one pole
Locking of plug-in connection	Locking lever

Material data

Note (material data)	Information on material specifications can be found here
Color	black
Insulation material (main housing)	Polyamide (PA66)
Flammability class per UL94	V0
Contact material	Copper or copper alloy; surface-treated
Contact Plating	Tin
Fire load	7.638 MJ
Weight	425 g

Environmental requirements

Processing temperature	-5 ... +40 °C
Continuous operating temperature	-35 ... +85 °C
Note on continuous operating temperature	Insulating parts for temperatures ≤ 105 °C

Commercial data

PU (SPU)	1 pcs
Packaging type	Box
Country of origin	DE
GTIN	4055143295123
Customs tariff number	85366990990

Product Classification

UNSPSC	39121406
eCl@ss 10.0	27-44-06-03
eCl@ss 9.0	27-44-06-03
ETIM 9.0	EC002567
ETIM 10.0	EC002567
ECCN	NO US CLASSIFICATION

Environmental Product Compliance

RoHS Compliance Status	Compliant, No Exemption
------------------------	-------------------------

Downloads

Environmental Product Compliance

Compliance Search			
Environmental Product Compliance			↓
899-631/311-000			

Documentation

Bid Text			
899-631/311-000	19.02.2019	xml 3.69 KB	↓
899-631/311-000	23.02.2015	doc 25.00 KB	↓

CAD/CAE-Data

CAD data

2D/3D Models
899-631/311-000



CAE data

ZUKEN Portal
899-631/311-000



1 Compatible Products

1.1 System counterpart

1.1.1 Cable assembly



Item No.: 771-9993/206-101

pre-assembled connecting cable; Eca; Plug/open-ended; 3-pole; Cod. A; H05VV-F 3G 1.5 mm²; 1 m; 1,50 mm²; black



Item No.: 771-9973/206-101

pre-assembled connecting cable; Eca; Plug/open-ended; 3-pole; Cod. P; H05VV-F 3G 1.5 mm²; 1 m; 1,50 mm²; red



Item No.: 771-9993/106-101

pre-assembled connecting cable; Eca; Socket/open-ended; 3-pole; Cod. A; H05VV-F 3G 1.5 mm²; 1 m; 1,50 mm²; black



Item No.: 771-9973/106-101

pre-assembled connecting cable; Eca; Socket/open-ended; 3-pole; Cod. P; H05VV-F 3G 1.5 mm²; 1 m; 1,50 mm²; red



Item No.: 771-9993/006-101

pre-assembled interconnecting cable; Eca; Socket/plug; 3-pole; Cod. A; H05VV-F 3G 1.5 mm²; 1 m; 1,50 mm²; black



Item No.: 771-9973/006-101

pre-assembled interconnecting cable; Eca; Socket/plug; 3-pole; Cod. P; H05VV-F 3G 1.5 mm²; 1 m; 1,50 mm²; red

1.1.2 Female connector/socket



Item No.: 770-203

Socket; 3-pole; Cod. A; black



Item No.: 770-1303

Socket; 3-pole; Cod. P; 4,00 mm²; red



Item No.: 770-103

Socket; with strain relief housing; 3-pole; Cod. A; 4,00 mm²; black



Item No.: 770-203/035-000

Socket; with strain relief housing; 3-pole; Cod. A; 4,00 mm²; black

1.1.3 Male connector/plug



Item No.: 770-213

Plug; 3-pole; Cod. A; black



Item No.: 770-1313

Plug; 3-pole; Cod. P; red



Item No.: 770-113

Plug; with strain relief housing; 3-pole; Cod. A; 4,00 mm²; black



Item No.: 770-213/035-000

Plug; with strain relief housing; 3-pole; Cod. A; 4,00 mm²; black

1.2 Optional Accessories

1.2.1 Installation

1.2.1.1 Mounting accessories



Item No.: 899-680

Mounting plate; for distribution boxes; gray

Installation Notes

Installation

