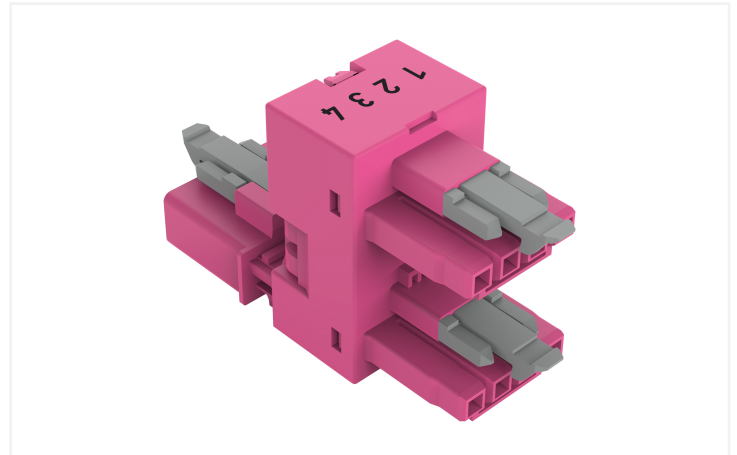
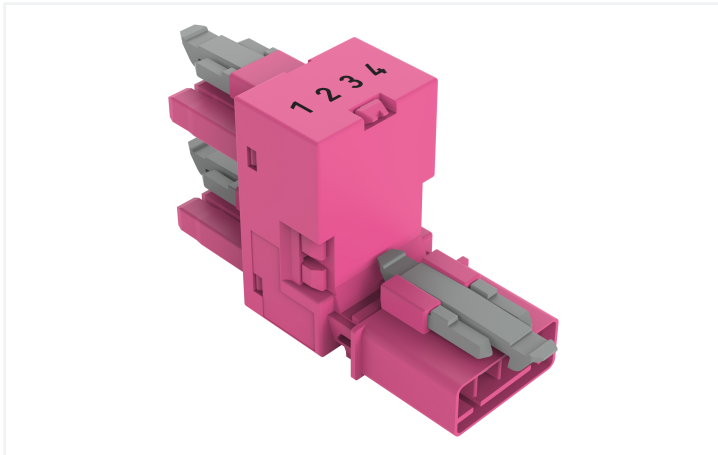


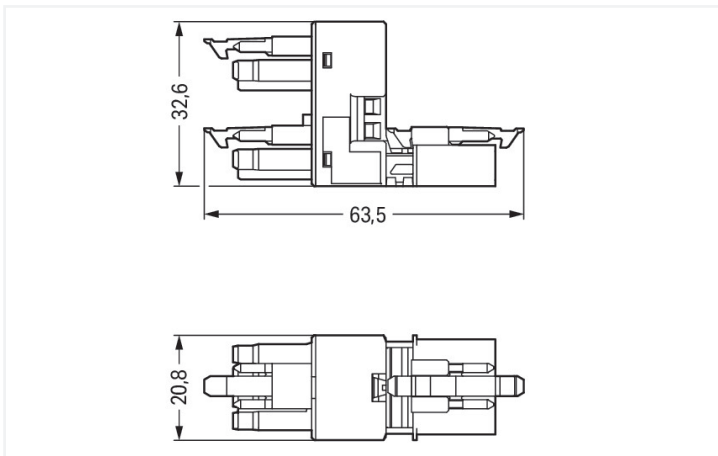
Data Sheet | Item Number: 890-1783

h-distribution connector; 4-pole; Cod. B; 1 input; 2 outputs; outputs on one side; 3 locking levers; for flying leads; pink

<https://www.wago.com/890-1783>



Color: ■ pink



Dimensions in mm

Distribution connector *WINSTA*® MINI with protection against mismatching

The *WINSTA*® MINI distribution connector with locking latch allows installation of solid and fine-stranded conductors. WAGO pluggable installation connectors are useful when specifications repeat or are distributed on a specified grid, for example for installing grid lighting or flush-mount lighting. For greater security in electrical installations, the pluggable installation connector is equipped with mechanical protection against mismatching. Solutions like the *WINSTA*® MINI pluggable installation connectors with B coding are suitable for applications related to process control, for example, for lighting or in data networks. If only limited space is available, our smallest pluggable connection system, *WINSTA*® MINI, conveniently displays its advantageous properties. It is very compact, and, thanks to Push-in CAGE CLAMP® spring pressure connection technology, it also saves time, since the connection is low-maintenance and can be performed without screw connections.

Lower costs through fast commissioning and elimination of service expenses – solutions from *WINSTA*® MINI

The *WINSTA*® Pluggable Connection System allows pluggable electrical installation. This saves time, lowers costs, and reduces the need for servicing. Choose durability and quality – with marking from WAGO makes the installation of electrical components visibly easier.

- protection against mismatching eliminates errors
- consistent IP40 protection
- with B coding for controllers, for example sun blinds and lighting fixtures
- custom-engineered solutions
- convenient installation and commissioning

Notes

| | |
|-----------|---|
| Variants: | Other pole markings Other versions (or variants) can be requested from WAGO Sales or configured at https://configurator.wago.com/ . |
|-----------|---|

Electrical data

| Ratings per | IEC/EN 60664-1 | | | Ratings per IEC/EN – Notes | |
|---------------------------------|----------------|-----|----|----------------------------|--|
| Overvoltage category | III | III | II | Rated current (note) | 13 A for 3-pole load 10 A for 4-pole load |
| Pollution degree | 3 | 2 | 2 | | |
| Nominal voltage | 400 V | - | - | | |
| Rated impulse withstand voltage | 6 kV | - | - | | |
| Rated current | 16 A | - | - | | |

Approvals per

UL 1977

| | |
|---------------|-------|
| Rated voltage | 600 V |
| Rated current | 12 A |

General information

| | |
|----------------------------|--|
| Note on contact resistance | approx. 1 mΩ of contact resistance approx. 0.25 mΩ contact transition plug/ socket |
|----------------------------|--|

Connection Data

| | |
|----------------------------|---|
| Total number of potentials | 4 |
|----------------------------|---|

Connection 1

| | |
|-------------|---|
| Pole number | 4 |
|-------------|---|

Physical data

| | |
|-------------|-------------------------|
| Pin spacing | 4.4 mm / 0.173 inches |
| Width | 20.8 mm / 0.819 inches |
| Height | 32.65 mm / 1.285 inches |
| Depth | 63.5 mm / 2.5 inches |

Mechanical data

| | |
|---|--|
| Use | Control technology |
| Coding | B |
| Variable coding | No |
| Marking | 1 2 3 4 |
| Potential marking | 1 2 3 4 |
| Mating force of a plug-in connection | Approx. 20 ... 70 N (depending on pole number) |
| Retention force of a plug-in connection | When locked: > 80 N |
| Unmating force of a plug-in connection | Unlocked: approx. 20 ... 70 N (depending on pole number) |
| Number of mating cycles | 200, without resistive load |
| Type of distribution box | h-distribution connector, outputs at one end |
| Protection type | IP20; IP40 when mated |
| Suitable | for flying leads |

Plug-in connection

| | |
|-------------------------------|--|
| Mismating protection | Yes |
| Note on mismating protection | All WINSTA® components are 100% protected against mismating when: a.) plugging different numbers of poles b.) plugging while rotated 180 c.) plugging while laterally staggered d.) plugging one pole |
| Locking lever | Yes |
| Locking of plug-in connection | Locking lever |
| Note on locking system | All connectors for mounted installations (snap-in versions for lighting fixtures or devices, all types of PCB and distribution connectors) are factory-equipped with locking levers to ensure plugs and sockets are securely locked. Additional locking levers are only required for flying leads (plug/socket). |
| Number of locking levers | 3 |

Material data

| | |
|------------------------------------|--|
| Note (material data) | Information on material specifications can be found here |
| Color | pink |
| Material group | I |
| Insulation material (main housing) | Polyamide (PA66) |
| Flammability class per UL94 | V0 |
| Contact material | Copper or copper alloy; surface-treated |
| Contact Plating | Tin |
| Fire load | 0.166 MJ |
| Weight | 16.1 g |

Environmental requirements

| | |
|--|--|
| Processing temperature | -5 ... +40 °C |
| Continuous operating temperature | -35 ... +85 °C |
| Note on continuous operating temperature | Insulating parts for temperatures ≤ 105 °C |

Commercial data

| | |
|-----------------------|---------------|
| PU (SPU) | 50 pcs |
| Packaging type | Box |
| Country of origin | DE |
| GTIN | 4055143252027 |
| Customs tariff number | 85366990990 |

Product Classification

| | |
|-------------|----------------------|
| UNSPSC | 39121409 |
| eCl@ss 10.0 | 27-44-06-03 |
| eCl@ss 9.0 | 27-44-06-03 |
| ETIM 9.0 | EC002567 |
| ETIM 10.0 | EC002567 |
| ECCN | NO US CLASSIFICATION |

Environmental Product Compliance

| | |
|------------------------|-------------------------|
| RoHS Compliance Status | Compliant, No Exemption |
|------------------------|-------------------------|

Downloads

Environmental Product Compliance

| | | | |
|---|--|--|-------------------|
| Compliance Search | | | |
| Environmental Product Compliance 890-1783 | | | ↓ |

Documentation

| | | | |
|----------|------------|-----------------|-------------------|
| Bid Text | | | |
| 890-1783 | 19.02.2019 | xml 2.87 KB | ↓ |
| 890-1783 | 03.12.2014 | doc 23.00 KB | ↓ |

CAD/CAE-Data

| | |
|--------------------------|-------------------|
| CAD data | |
| 2D/3D Models 890-1783 | ↓ |

| | |
|--------------------------|-------------------|
| CAE data | |
| ZUKEN Portal 890-1783 | ↓ |

1 Compatible Products

1.1 System counterpart

1.1.1 Cable assembly



Item No.: 891-8994/205-107
pre-assembled connecting cable; Eca; Plug/open-ended; 4-pole; Cod. B; Control cable 4 x 1.0 mm²; 1 m; 1,00 mm²; pink



Item No.: 891-8994/105-107
pre-assembled connecting cable; Eca; Socket/open-ended; 4-pole; Cod. B; Control cable 4 x 1.0 mm²; 1 m; 1,00 mm²; pink



Item No.: 891-8994/005-107
pre-assembled interconnecting cable; Eca; Socket/plug; 4-pole; Cod. B; Control cable 4 x 1.0 mm²; 1 m; 1,00 mm²; pink

1.1.2 Female connector/socket



Item No.: 890-284
Socket; 4-pole; Cod. B; 1,50 mm²; pink

1.1.3 Male connector/plug



Item No.: 890-294

Plug; 4-pole; 1,50 mm²; pink

1.2 Required Accessories

1.2.1 Installation

1.2.1.1 Mounting accessories



Item No.: 890-624

Mounting plate; 4-pole; for distribution connectors; Plastic; black

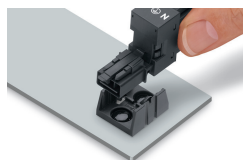


Item No.: 890-674

Mounting plate; 4-pole; for distribution connectors; Plastic; white

Installation Notes

Installation



Secure the mounting plate via pins.