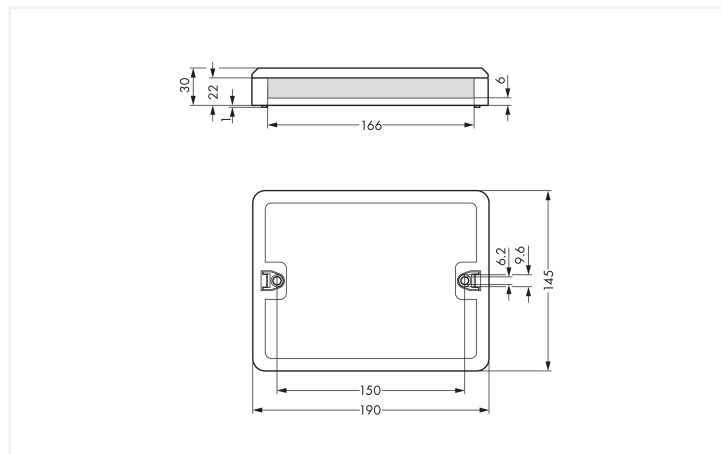
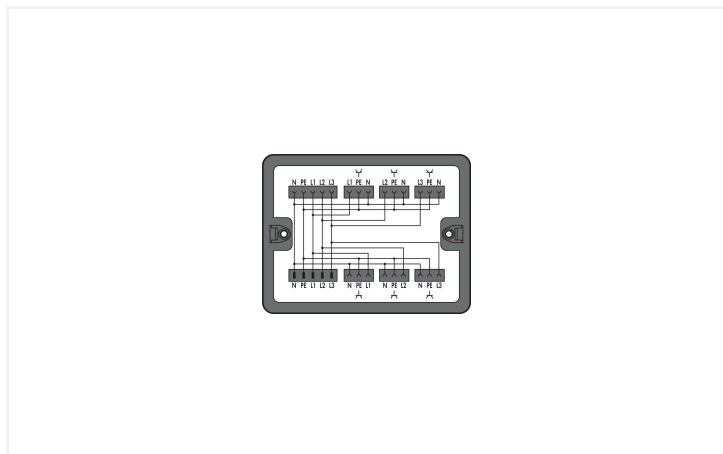


## Data Sheet | Item Number: 899-631/100-000

Distribution box; Three-phase to single-phase current (400 V/230 V); 1 input; 7 outputs; Cod. A; MIDI; black

<https://www.wago.com/899-631/100-000>



Color: ■ black

Dimensions in mm

### Distribution box WINSTA® with protection against mismatching

When using the distribution box from the WINSTA® product line with protection type IP20, zero-defect electrical installation is guaranteed. With WAGO, you get enjoy the advantages of a large selection of expansions for the WINSTA® product line. For greater protection in electrical installations, the distribution box is provided with mechanical protection against mismatching. The distribution box is protected against ingress by solid objects in accordance with protection type IP20 (When mated: IP2xC (These compact connectors are not designed for use in open, easily accessible areas!)). The WINSTA® distribution box with A coding in white or black is usually used for general mains applications in power distribution. Important parameters in the selection of a distribution box are the rated current and voltage: They tell us about the product's domains of use. This product has a current rating of 25 A – as a result it is suitable for powerful loads.

WINSTA® solutions for your electrical installation – protected against mismatching and maintenance-free

The WINSTA® Pluggable Connection System is ideally tailored to the strict requirements of building installation. It makes electrical installation pluggable, and therefore more efficient, more reliable, and error-free. Use of this pre-assembled system reduces time spent on assembly and installation errors at the construction site. Now you can also lower installation expenses without compromising quality and safety: with protection against mismatching reduces the need for servicing and prevents unnecessary downtime.

- effective protection against mismatching
- intuitive marking
- products perfectly tailored to your requirements guarantee safe use
- with A coding for use in a large number of general mains applications
- quick replacement of defective units during ongoing operation

### Electrical data

Ratings per	IEC/EN 60664-1		
Overvoltage category	III	III	II
Pollution degree	3	2	2
Nominal voltage	400 V	-	-
Rated impulse withstand voltage	6 kV	-	-
Rated current	25 A	-	-

Ratings per	IEC/EN 60664-1		
Overvoltage category	III	III	II
Pollution degree	3	2	2
Nominal voltage	250 V	-	-
Rated impulse withstand voltage	4 kV	-	-
Rated current	16 A	-	-

### General information

Note on contact resistance	approx. 1 mΩ contact resistance approx. 0.25 mΩ contact transition (plug/ socket)
----------------------------	---

### Connection Data

#### Connection 1

Connection type	Input
Pluggable connector	MIDI plug, 5-pole (770-215)

#### Connection 2

Connection type	Output
Connector	MIDI socket, 5-pole (770-205)

#### Connection 3

Connection type	Output
Connector	MIDI socket, 3-pole (770-203)

### Physical data

Width	190 mm / 7.48 inches
Height	31 mm / 1.22 inches
Depth	145 mm / 5.709 inches

### Mechanical data

Internal wiring	4 mm <sup>2</sup>
Use	Three-phase to single-phase current (400 V / 230 V)
Coding	A
Mounting type	Wall, screw mount Installation on mounting plate
Protection type	IP20; When mated: IP2xC (These compact connectors are not designed for use in open, easily accessible areas!)

### Plug-in connection

Mismating protection	Yes
Note on mismating protection	All <i>WINSTA</i> ® components are 100% protected against mismating when: a.) plugging different numbers of poles b.) plugging while rotated 180 c.) plugging while laterally staggered d.) plugging one pole
Locking of plug-in connection	Locking lever

### Material data

Note (material data)	<a href="#">Information on material specifications can be found here</a>
Color	black
Insulation material (main housing)	Polyamide (PA66)
Flammability class per UL94	V0
Contact material	Copper or copper alloy; surface-treated
Contact Plating	Tin
Fire load	7.815 MJ
Weight	466 g

### Environmental requirements

Processing temperature	-5 ... +40 °C
Continuous operating temperature	-35 ... +85 °C
Note on continuous operating temperature	Insulating parts for temperatures ≤ 105 °C

### Commercial data

PU (SPU)	1 pcs
Packaging type	Box
Country of origin	DE
GTIN	4055143287654
Customs tariff number	85366990990

### Product Classification

UNSPSC	39121406
eCl@ss 10.0	27-44-06-03
eCl@ss 9.0	27-44-06-03
ETIM 9.0	EC002567
ETIM 10.0	EC002567
ECCN	NO US CLASSIFICATION

### Environmental Product Compliance

RoHS Compliance Status	Compliant, No Exemption
------------------------	-------------------------

### Downloads

#### Environmental Product Compliance




##### Compliance Search

Environmental Product  
Compliance  
899-631/100-000



### Documentation

#### Bid Text

899-631/100-000	19.02.2019	xml 3.51 KB	
899-631/100-000	23.02.2015	doc 26.00 KB	
ausschreiben.de 899-631/100-000			

## CAD/CAE-Data

### CAD data

2D/3D Models  
899-631/100-000



### CAE data

ZUKEN Portal  
899-631/100-000



## 1 Compatible Products

### 1.1 System counterpart

#### 1.1.1 Cable assembly



**Item No.: 771-9993/206-101**

pre-assembled connecting cable; Eca; Plug/open-ended; 3-pole; Cod. A; H05VV-F 3G 1.5 mm<sup>2</sup>; 1 m; 1,50 mm<sup>2</sup>; black



**Item No.: 771-9995/206-101**

pre-assembled connecting cable; Eca; Plug/open-ended; 5-pole; Cod. A; H05VV-F 5G 1.5 mm<sup>2</sup>; 1 m; 1,50 mm<sup>2</sup>; black



**Item No.: 771-9995/106-101**

pre-assembled connecting cable; Eca; Socket/open-ended; 5-pole; Cod. A; H05VV-F 5G 1.5 mm<sup>2</sup>; 1 m; 1,50 mm<sup>2</sup>; black



**Item No.: 771-9993/006-101**

pre-assembled interconnecting cable; Eca; Socket/plug; 3-pole; Cod. A; H05VV-F 3G 1.5 mm<sup>2</sup>; 1 m; 1,50 mm<sup>2</sup>; black



**Item No.: 771-9995/006-101**

pre-assembled interconnecting cable; Eca; Socket/plug; 5-pole; Cod. A; H05VV-F 5G 1.5 mm<sup>2</sup>; 1 m; 1,50 mm<sup>2</sup>; black

#### 1.1.2 Female connector/socket



**Item No.: 770-205**

Socket; 5-pole; Cod. A; 4,00 mm<sup>2</sup>; black



**Item No.: 770-405**

Socket; 5-pole; Cod. A; 4,00 mm<sup>2</sup>; black



**Item No.: 770-105**

Socket; with strain relief housing; 5-pole; Cod. A; 4,00 mm<sup>2</sup>; black



**Item No.: 770-305**

Socket; with strain relief housing; 5-pole; Cod. A; 4,00 mm<sup>2</sup>; black

#### 1.1.3 Male connector/plug



**Item No.: 770-213**

Plug; 3-pole; Cod. A; black



**Item No.: 770-215**

Plug; 5-pole; Cod. A; 4,00 mm<sup>2</sup>; black



**Item No.: 770-415**

Plug; 5-pole; Cod. A; 4,00 mm<sup>2</sup>; black



**Item No.: 770-113**

Plug; with strain relief housing; 3-pole; Cod. A; 4,00 mm<sup>2</sup>; black



**Item No.: 770-213/035-000**

Plug; with strain relief housing; 3-pole; Cod. A; 4,00 mm<sup>2</sup>; black



**Item No.: 770-115**

Plug; with strain relief housing; 5-pole; Cod. A; 4,00 mm<sup>2</sup>; black



**Item No.: 770-315**

Plug; with strain relief housing; 5-pole; Cod. A; 4,00 mm<sup>2</sup>; black

## 1.2 Optional Accessories

### 1.2.1 Installation

#### 1.2.1.1 Mounting accessories



**Item No.: 899-680**

Mounting plate; for distribution boxes; gray

## Installation Notes

### Installation

