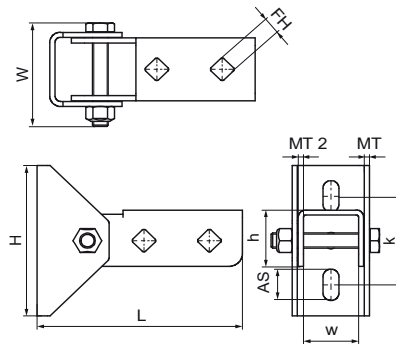
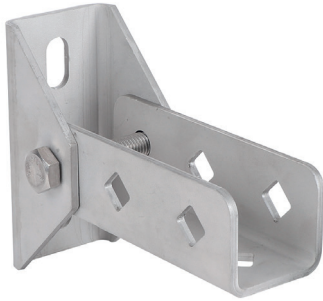


Walraven RapidStrut® Stainless Steel Wall Plate (Hinged)

(M5315)

hinged base foot to connect fixing rails with an angle



Features & benefits

- wall plate with hinging U-profile
- for fixing of rail to wall, floor or ceiling
- rail can be fixed with slot downwards or sideways
- also used to strengthen constructions with Walraven RapidStrut® 41x41
- material: stainless steel 1.4404 (A4) - EN 10088, AISI 316L

Product Number	For Rail Type	Total Height	Total Width	Total Length	Width	Height	Heart To Heart Distance	Anchoring Slot	Fixing Hole	Material Thickness	Material Thickness 2
<i>Reference Letter</i>		<i>H</i>	<i>W</i>	<i>L</i>	<i>w</i>	<i>h</i>	<i>k</i>	<i>AS</i>	<i>FH</i>	<i>MT</i>	<i>MT 2</i>
<i>Unit description</i>		<i>mm</i>	<i>mm</i>	<i>mm</i>	<i>mm</i>	<i>mm</i>	<i>mm</i>	<i>mm</i>	<i>mm</i>	<i>mm</i>	<i>mm</i>
66587814	41x21, 41x41	157	82.5	120	59	45	70.6	25x12.2	13.8	4.00	4