

36 627 707 Product version up to 10/14/2020



- with CASCADE structure
- rosette 60 x 60 mm
- with hot marking
- head part with cut-to-length spindle and sleeve
- WRAS

Required miscellaneous



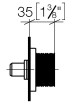
Wall valve 1/2" -

35 607 970 90

- min. recess depth 105 mm
- max. recess depth 150 mm

36 627 707 Product version up to 10/14/2020

mm [inches]



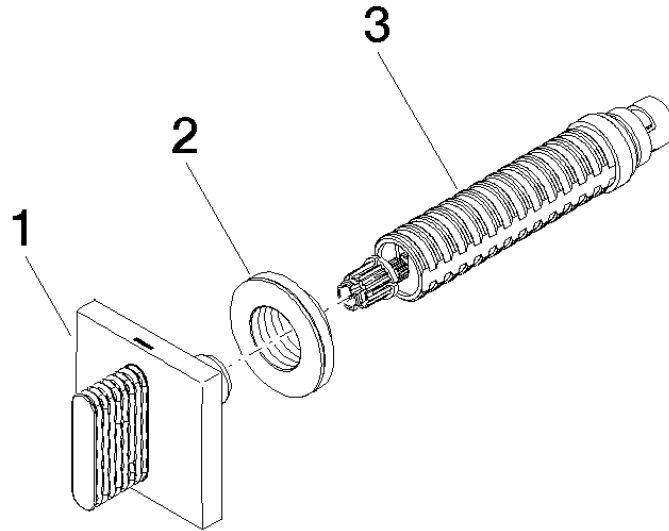
Codes & Standards

ASME A112.18.1	cUPC	EN 200	Scottish Water Byelaws
----------------	------	--------	---------------------------

UK Water Supply
Regulations

Certificates and sustainability

DVGW_DW- 6501DN0	WRAS_2010	IAPMO_4976 (EPD-DOR-20230287 -IBA1-EN Environmental.prod uct-declarat
---------------------	-----------	--------------	--



Spare parts list

No.	Item Number	Name	Quantity used	Delivery time
2	09 21 02 108 90	Sleeve Ø 43,1 x 13 mm -	1.00	-
Spare part can no longer be ordered, please order the replacement item				
	9021021080090	Wall disc complete -		
1	90 20 70 053 03-06	Handle for concealed wall mounting Hot oval step 60 x 60 x 40 mm - Brushed Platinum	1.00	20
3	90 90 03 142 00 90	Head part anti-clockwise closing 1/2" -	1.00	14