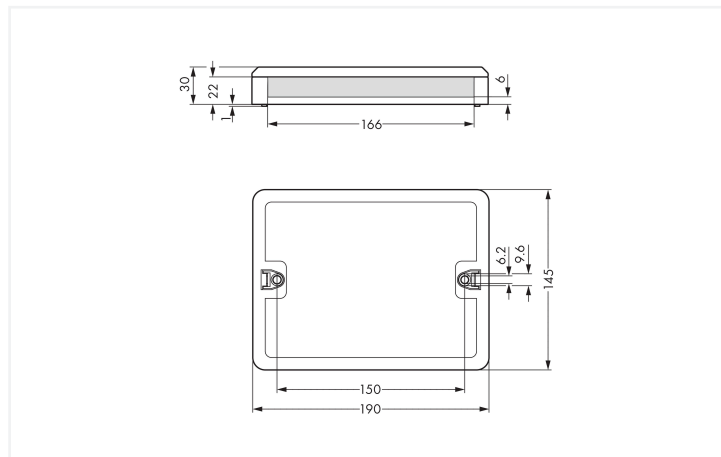
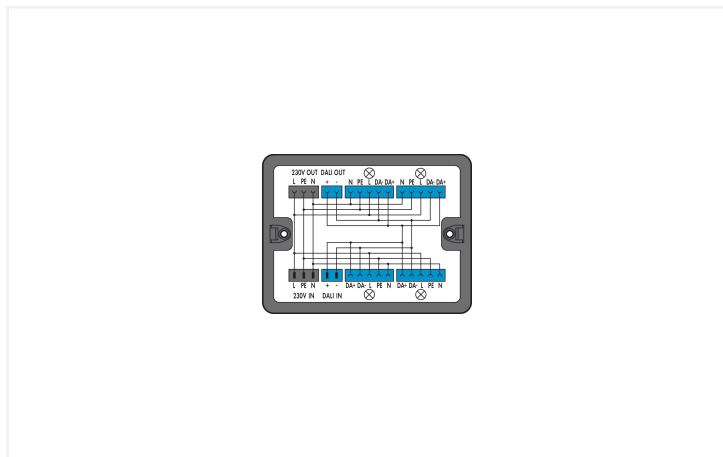


# Data Sheet | Item Number: 899-631/181-000

Distribution box; 230 V + DALI; 2 inputs; 6 outputs; Cod. A, I; MINI, MIDI; black

<https://www.wago.com/899-631/181-000>



Color: ■ black

Dimensions in mm

## Distribution box WINSTA® with protection against mismatching

Thanks to the distribution box from the WINSTA® product line with A coding, zero-defect installation is guaranteed. With WAGO, you benefit from a large selection of accessories for the WINSTA® product line. The mechanical coding and color coding of the distribution box ensure error-free installation of the individual components – including protection against mismatching. The distribution box offers protection against contact with live components in accordance with protection type IP20 (When mated: IP2xC (These compact connectors are not designed for use in open, easily accessible areas!)). Standard mains applications for almost any domain of use can be realised with WINSTA® distribution boxes with A coding. This distribution box can be used for electrical currents up to 25 A. Thus the product is especially suitable for high power loads.

## WINSTA® solutions for your electrical installation – protected against mismatching and maintenance-free

The WINSTA® Pluggable Connection System is perfectly tailored to the strict requirements of building installation. It makes electrical installation pluggable, and consequently faster, even more reliable, and error-free. Use of this pre-assembled system decreases assembly times and installation errors at the construction site. Choose quality and durability – with protection type IP20 from WAGO makes the electrical installation of electrical components noticeably easier.

- distribution boxes with protection against mismatching
- intuitive marking
- saves time, since no wiring is required at the construction site
- with A coding for use in a large number of general mains applications
- rapid, structured electrical installation

## Electrical data

Ratings per	IEC/EN 60664-1		
Overvoltage category	III	III	II
Pollution degree	3	2	2
Nominal voltage	250 V	-	-
Rated impulse withstand voltage	4 kV	-	-
Rated current	25 A	-	-

Ratings per IEC/EN 2	
Rated current	16 A

### General information

Note on contact resistance	approx. 1 mΩ contact resistance approx. 0.25 mΩ contact transition (plug/ socket)
----------------------------	---

### Connection Data

#### Connection 1

Connection type	Input
Pluggable connector	MIDI plug, 3-pole (770-213)

#### Connection 2

Connection type	Output
Connector	MIDI socket, 3-pole (770-203)

#### Connection 3

Connection type	Input
Connector	MINI plug, 2-pole (890-1112)

#### Connection 4

Connection type	Output
Connector	MINI socket, 2-pole (890-1102)

Connection type	Output
Connector 5	MIDI socket, 5-pole (770-1105)

### Physical data

Width	190 mm / 7.48 inches
Height	31 mm / 1.22 inches
Depth	145 mm / 5.709 inches

### Mechanical data

Internal wiring	1.5 mm <sup>2</sup> 4 mm <sup>2</sup>
Use	DALI, Lighting Management
Coding	A
Coding 2	I
Mounting type	Wall, screw mount Installation on mounting plate
Protection type	IP20; When mated: IP2xC (These compact connectors are not designed for use in open, easily accessible areas!)

### Plug-in connection

Mismating protection	Yes
Note on mismating protection	All <i>WINSTA</i> ® components are 100% protected against mismating when: a.) plugging different numbers of poles b.) plugging while rotated 180 c.) plugging while laterally staggered d.) plugging one pole
Locking of plug-in connection	Locking lever

### Material data

Note (material data)	<a href="#">Information on material specifications can be found here</a>
Color	black
Insulation material (main housing)	Polyamide (PA66)
Flammability class per UL94	V0
Contact material	Copper or copper alloy; surface-treated
Contact Plating	Tin
Fire load	14.955 MJ
Weight	391.1 g

### Environmental requirements

Processing temperature	-5 ... +40 °C
Continuous operating temperature	-35 ... +85 °C
Note on continuous operating temperature	Insulating parts for temperatures ≤ 105 °C

### Commercial data

PU (SPU)	1 pcs
Packaging type	Box
Country of origin	DE
GTIN	4055143293037
Customs tariff number	85366990990

### Product Classification

UNSPSC	39121308
eCl@ss 10.0	27-44-06-03
eCl@ss 9.0	27-44-06-03
ETIM 9.0	EC002567
ETIM 10.0	EC002567
ECCN	NO US CLASSIFICATION

### Environmental Product Compliance

RoHS Compliance Status	Compliant, No Exemption
------------------------	-------------------------

### Downloads

#### Environmental Product Compliance

##### Compliance Search

Environmental Product  
Compliance  
899-631/181-000



## Documentation

Bid Text			
899-631/181-000	19.02.2019	xml 3.57 KB	<a href="#">↓</a>
899-631/181-000	11.03.2015	doc 26.00 KB	<a href="#">↓</a>

## CAD/CAE-Data

CAD data
2D/3D Models 899-631/181-000 <a href="#">↓</a>

CAE data
ZUKEN Portal 899-631/181-000 <a href="#">↓</a>

## 1 Compatible Products

### 1.1 System counterpart

#### 1.1.1 Cable assembly



**Item No.: 891-8982/206-101**  
pre-assembled connecting cable; Eca; Plug/open-ended; 2-pole; Cod. I; H05VV-F 2 x 1.5 mm<sup>2</sup>; 1 m; 1,50 mm<sup>2</sup>; blue



**Item No.: 771-9993/206-101**  
pre-assembled connecting cable; Eca; Plug/open-ended; 3-pole; Cod. A; H05VV-F 3G 1.5 mm<sup>2</sup>; 1 m; 1,50 mm<sup>2</sup>; black



**Item No.: 771-9985/206-101**  
pre-assembled connecting cable; Eca; Plug/open-ended; 5-pole; Cod. I; H05VV-F 5G 1.5 mm<sup>2</sup>; 1 m; 1,50 mm<sup>2</sup>; blue



**Item No.: 891-8982/106-101**  
pre-assembled connecting cable; Eca; Socket/open-ended; 2-pole; Cod. I; H05VV-F 2 x 1.5 mm<sup>2</sup>; 1 m; 1,50 mm<sup>2</sup>; blue



**Item No.: 771-9993/106-101**  
pre-assembled connecting cable; Eca; Socket/open-ended; 3-pole; Cod. A; H05VV-F 3G 1.5 mm<sup>2</sup>; 1 m; 1,50 mm<sup>2</sup>; black



**Item No.: 891-8982/006-101**  
pre-assembled interconnecting cable; Eca; Socket/plug; 2-pole; Cod. I; H05VV-F 2 x 1.5 mm<sup>2</sup>; 1 m; 1,50 mm<sup>2</sup>; blue



**Item No.: 771-9993/006-101**  
pre-assembled interconnecting cable; Eca; Socket/plug; 3-pole; Cod. A; H05VV-F 3G 1.5 mm<sup>2</sup>; 1 m; 1,50 mm<sup>2</sup>; black



**Item No.: 771-9985/006-101**  
pre-assembled interconnecting cable; Eca; Socket/plug; 5-pole; Cod. I; H05VV-F 5G 1.5 mm<sup>2</sup>; 1 m; 1,50 mm<sup>2</sup>; blue

#### 1.1.2 Female connector/socket



**Item No.: 890-1102**  
Socket; 2-pole; Cod. I; 1,50 mm<sup>2</sup>; blue



**Item No.: 770-203**  
Socket; 3-pole; Cod. A; black



**Item No.: 770-103**  
Socket; with strain relief housing; 3-pole; Cod. A; 4,00 mm<sup>2</sup>; black



**Item No.: 770-203/035-000**  
Socket; with strain relief housing; 3-pole; Cod. A; 4,00 mm<sup>2</sup>; black

#### 1.1.3 Male connector/plug



**Item No.: 890-1112**  
Plug; 2-pole; Cod. I; 1,50 mm<sup>2</sup>; blue



**Item No.: 770-213**  
Plug; 3-pole; Cod. A; black



**Item No.: 770-1115**  
Plug; 5-pole; 4,00 mm<sup>2</sup>; blue



**Item No.: 770-113**  
Plug; with strain relief housing; 3-pole; Cod. A; 4,00 mm<sup>2</sup>; black



**Item No.: 770-213/035-000**  
Plug; with strain relief housing; 3-pole; Cod. A; 4,00 mm<sup>2</sup>; black



**Item No.: 770-1115/022-000**  
Plug; with strain relief housing; 5-pole; Cod. I; 4,00 mm<sup>2</sup>; blue

## 1.2 Optional Accessories

### 1.2.1 Installation

#### 1.2.1.1 Mounting accessories



Item No.: [899-680](#)

Mounting plate; for distribution boxes; gray

## Installation Notes

### Installation

