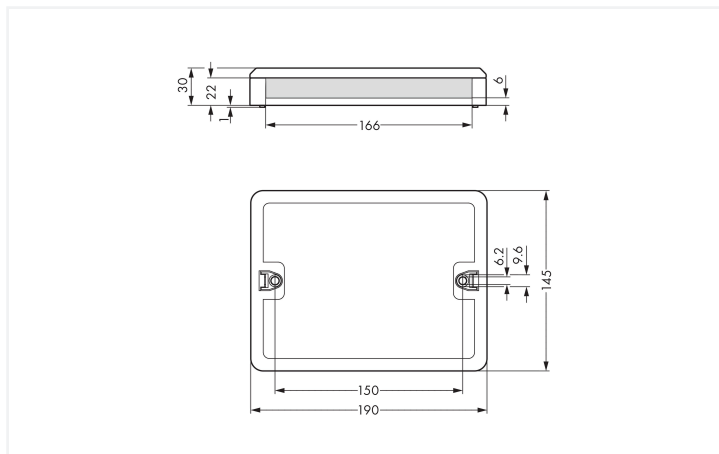
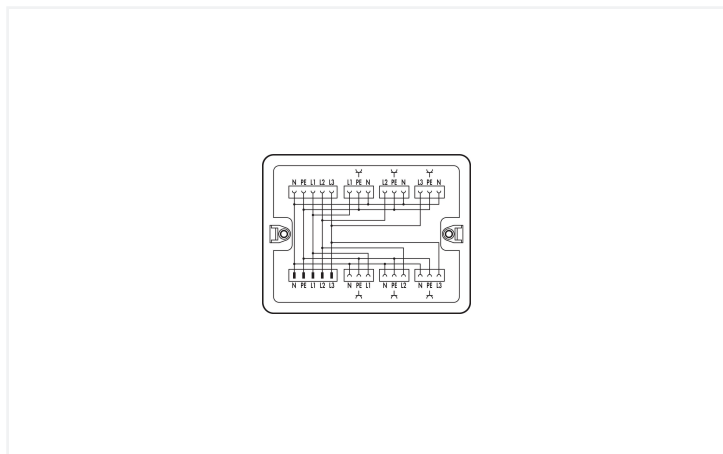


Data Sheet | Item Number: 899-681/100-000

Distribution box; Three-phase to single-phase current (400 V/230 V); 1 input; 7 outputs; Cod. A; MIDI; white

<https://www.wago.com/899-681/100-000>



Color: ■ white

Dimensions in mm

Distribution box *WINSTA*® rated current 25 A

Choose reliable accuracy for the electrical installation in your project: The distribution box from the *WINSTA*® product line with protection type IP20. A comprehensive range of accessories complements the *WINSTA*® product line from WAGO. The coding options reduce installation errors, allowing fast, secure wiring of all components. The distribution box offers protection against contact with live components in accordance with protection type IP20 (When mated: IP2xC (These compact connectors are not designed for use in open, easily accessible areas!)). Standard mains applications for almost any domain of use can be realised with *WINSTA*® distribution boxes with A coding. The rated current and voltage are important criteria for selecting a distribution box: They provide information about possible domains of use and applications. This product has a current rating of 25 A – therefore it is also suitable for robust loads.

WINSTA® solutions for your electrical installation – protected against mismatching and maintenance-free

WINSTA® is the pluggable connection system that is ideally tailored to the strict requirements of electrical installation. It ensures error-free installation of cables and components, quickly and reliably. Now you can also lower installation expenses without compromising safety and quality: with protection against mismatching reduces the need for servicing and prevents unnecessary downtime.

- distribution boxes with protection against mismatching
- intuitive distribution box marking
- saves time, since no wiring is required at the construction site
- with A coding for use in many general mains applications
- quick replacement of defective units during ongoing operation

Electrical data							
Ratings per	IEC/EN 60664-1			Ratings per	IEC/EN 60664-1		
Overvoltage category	III	III	II	Overvoltage category	III	III	II
Pollution degree	3	2	2	Pollution degree	3	2	2
Nominal voltage	400 V	-	-	Nominal voltage	250 V	-	-
Rated impulse withstand voltage	6 kV	-	-	Rated impulse withstand voltage	4 kV	-	-
Rated current	25 A	-	-	Rated current	16 A	-	-

General information

Note on contact resistance	approx. 1 mΩ contact resistance approx. 0.25 mΩ contact transition (plug/ socket)
----------------------------	---

Connection Data

Connection 1

Connection type	Input
Pluggable connector	MIDI plug, 5-pole (770-235)

Connection 2

Connection type	Output
Connector	MIDI socket, 5-pole (770-225)

Connection 3

Connection type	Output
Connector	MIDI socket, 3-pole (770-223)

Physical data

Width	190 mm / 7.48 inches
Height	31 mm / 1.22 inches
Depth	145 mm / 5.709 inches

Mechanical data

Internal wiring	4 mm ²
Use	Three-phase to single-phase current (400 V / 230 V)
Coding	A
Mounting type	Wall, screw mount Installation on mounting plate
Protection type	IP20; When mated: IP2xC (These compact connectors are not designed for use in open, easily accessible areas!)

Plug-in connection

Mismating protection	Yes
Note on mismating protection	All <i>WINSTA</i> ® components are 100% protected against mismating when: a.) plugging different numbers of poles b.) plugging while rotated 180 c.) plugging while laterally staggered d.) plugging one pole
Locking of plug-in connection	Locking lever

Material data

Note (material data)	Information on material specifications can be found here
Color	white
Insulation material (main housing)	Polyamide (PA66)
Flammability class per UL94	V0
Contact material	Copper or copper alloy; surface-treated
Contact Plating	Tin
Fire load	7.796 MJ
Weight	470 g

Environmental requirements

Processing temperature	-5 ... +40 °C
Continuous operating temperature	-35 ... +85 °C
Note on continuous operating temperature	Insulating parts for temperatures ≤ 105 °C

Commercial data

PU (SPU)	1 pcs
Packaging type	Box
Country of origin	DE
GTIN	4055143306539
Customs tariff number	85366990990

Product Classification

UNSPSC	39121406
eCl@ss 10.0	27-44-06-03
eCl@ss 9.0	27-44-06-03
ETIM 9.0	EC002567
ETIM 10.0	EC002567
ECCN	NO US CLASSIFICATION

Environmental Product Compliance

RoHS Compliance Status	Compliant, No Exemption
------------------------	-------------------------

Downloads

Environmental Product Compliance




Compliance Search

Environmental Product
Compliance
899-681/100-000



Documentation

Bid Text

899-681/100-000	19.02.2019	xml 3.50 KB	
899-681/100-000	23.02.2015	doc 25.50 KB	
ausschreiben.de 899-681/100-000			

1 Compatible Products

1.1 System counterpart

1.1.1 Cable assembly



Item No.: 771-9993/206-102
pre-assembled connecting cable; Eca; Plug/open-ended; 3-pole; Cod. A; H05VV-F 3G 1.5 mm²; 1 m; 1,50 mm²; white



Item No.: 771-9995/206-102
pre-assembled connecting cable; Eca; Plug/open-ended; 5-pole; Cod. A; H05VV-F 5G 1.5 mm²; 1 m; 1,50 mm²; white



Item No.: 771-9995/106-102
pre-assembled connecting cable; Eca; Socket/open-ended; 5-pole; Cod. A; H05VV-F 5G 1.5 mm²; 1 m; 1,50 mm²; white



Item No.: 771-9993/006-102
pre-assembled interconnecting cable; Eca; Socket/plug; 3-pole; Cod. A; H05VV-F 3G 1.5 mm²; 1 m; 1,50 mm²; white



Item No.: 771-9995/006-102
pre-assembled interconnecting cable; Eca; Socket/plug; 5-pole; Cod. A; H05VV-F 5G 1.5 mm²; 1 m; 1,50 mm²; white

1.1.2 Female connector/socket



Item No.: 770-225
Socket; 5-pole; Cod. A; 4,00 mm²; white



Item No.: 770-425
Socket; 5-pole; Cod. A; 4,00 mm²; white



Item No.: 770-125
Socket; with strain relief housing; 5-pole; Cod. A; 4,00 mm²; white



Item No.: 770-325
Socket; with strain relief housing; 5-pole; Cod. A; 4,00 mm²; white

1.1.3 Male connector/plug



Item No.: 770-233
Plug; 3-pole; Cod. A; white



Item No.: 770-235
Plug; 5-pole; Cod. A; 4,00 mm²; white



Item No.: 770-435
Plug; 5-pole; Cod. A; 4,00 mm²; white



Item No.: 770-133
Plug; with strain relief housing; 3-pole; Cod. A; 4,00 mm²; white



Item No.: 770-233/035-050
Plug; with strain relief housing; 3-pole; Cod. A; 4,00 mm²; white



Item No.: 770-135
Plug; with strain relief housing; 5-pole; Cod. A; 4,00 mm²; white



Item No.: 770-335
Plug; with strain relief housing; 5-pole; Cod. A; 4,00 mm²; white

1.2 Optional Accessories

1.2.1 Installation

1.2.1.1 Mounting accessories



Item No.: 899-680
Mounting plate; for distribution boxes; gray

Installation Notes

Installation

