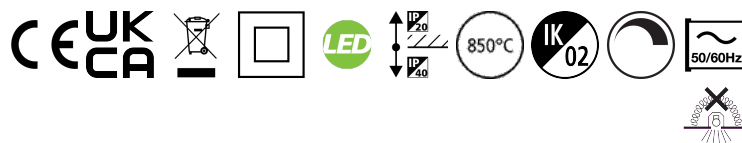


Concord

SOLSTICE 150 3000LM 930 DALI
2070418



Features

- SOLSTICE 150 3000LM 930 DALI

Product Overview

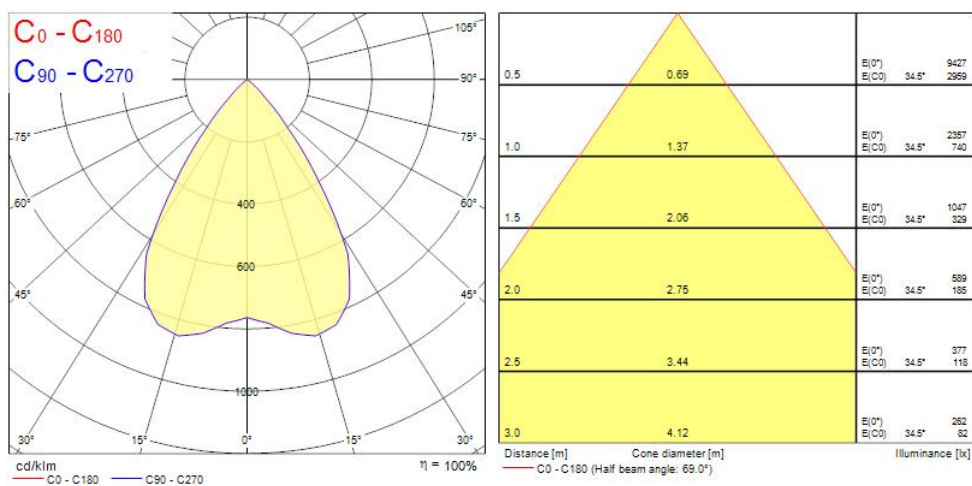
Product name	SOLSTICE 150 3000LM 930 DALI
Technology	LED
Cap/Base	N/A
Housing	Aluminium
Mount	Ceiling recessed mounting
Fixture luminous flux (lm)	3000
Luminaire efficacy (lm/W)	125
LOR (%)	100
Colour temperature (K)	3000
Light colour	Warm White
CRI (Ra)	90
Colour Consistency (SDCM)	3
Colour Variation Initial (SDCM)	3
Glare control	< 20
Photobiological Risk Group	RG1
Total power consumption (W)	24
Electrical protection	Class II
Control gear type	LED driver constant current
LED Flickering Rate	Ultra low (5% or less)

Concord

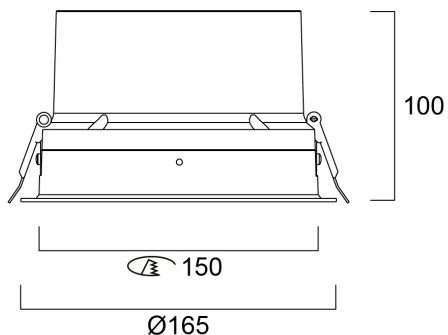
SOLSTICE 150 3000LM 930 DALI 2070418

Housing colour	RAL 9016 - Traffic white / Bezel
IP rating	IP40/20
IK rating	IK02
Product EAN number	5025768704187
Warranty	5 years
Useful luminous flux (#use)	3000

Photometry



Technical drawings



Concord

SOLSTICE 150 3000LM 930 DALI
2070418

Data table

GENERAL DATA

Product name	SOLSTICE 150 3000LM 930 DALI
Technology	LED
Cap/Base	N/A
Housing	Aluminium
Mount	Ceiling recessed mounting
Operating temperature range (°C)	-10°C...+40°C
Performance ambient temperature Tq (°C)	40
Warranty	5 years

OPTICAL DATA

Useful luminous flux (#use)	3000
Fixture luminous flux (lm)	3000
Luminaire efficacy (lm/W)	125
LOR (%)	100
Colour temperature (K)	3000
Light colour	Warm White
CRI (Ra)	90
Colour Consistency (SDCM)	3
Colour Variation Initial (SDCM)	3
Glare control	< 20
Photobiological Risk Group	RG1

ELECTRICAL DATA

Total power consumption (W)	24
Current (A)	1
Primary Supply/Product voltage - min (V)	220.0
Lamp power factor	0.98
Electrical protection	Class II
Control gear required	No

Concord

SOLSTICE 150 3000LM 930 DALI 2070418

Control gear type	LED driver constant current
Drive current (mA)	400
Inrush Current (A)	18
Inrush Duration (µs)	140
Glow Wire Test (°C)	850
Energy Efficiency Class (A->G) of contained light source	C
Nominal Frequency (Hz)	50/60Hz
LED Flickering Rate	Ultra low (5% or less)
Max. products per 10A C Breaker	36
Max. products per 13A C Breaker	50
Max. products per 16A C Breaker	60
Max. products per 20A B Breaker	46
Connectable conductor cross section - Min (mm ²)	0.5
Connectable conductor cross section - Max (mm ²)	2.5

LIFETIME DATA

Lifespan L70 B50	120000
Lifespan L70 B20	120000
Lifespan L70 B10	120000
Lifespan L80 B50	120000
Lifespan L80 B20	120000
Lifespan L80 B10	120000
Lifespan L90 B50	84000
Lifespan L90 B20	76000
Lifespan L90 B10	74000

PHYSICAL DATA

Housing colour	RAL 9016 - Traffic white / Bezel
IP rating	IP40/20
IK rating	IK02
Diffuser finish	Diffuse

Concord

SOLSTICE 150 3000LM 930 DALI 2070418

Diffuser material	PC Polycarbonate
Nominal Product Diameter (mm)	165
Built-in diameter (mm)	150
Max. Lamp Diameter (mm) - D	165
Weight (kg)	0.95
Recessed Depth (mm)	150

PACKAGING

Product EAN number	5025768704187
Packaging single width (cm)	25.0
Packaging single depth (cm)	12.5
DUN14 (outer)	05025768704187
Packaging outer length / height (cm)	27.5

SAFETY DATA

Optimal operating condition (°C)	-10-40
Special purpose lamp	No
Dry applications use only	No
Suitable for household illumination	No