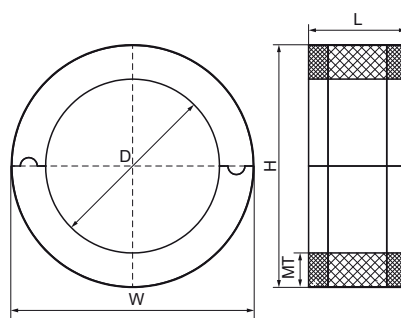


Walraven BISOFIX® E13

(D0302)

for insulated pipes



Features & benefits

- for combination with elastomeric foam insulation
- vapourproof glueable with pipe insulation
- does not contain CFC, HCFC, formaldehyde or cadmium
- fire class B2
- PIR density for $D < 80\text{mm}$ = 80kg/m^3
- PIR density for $D > 80\text{mm}$ = 120kg/m^3
- temperature range $-45\text{ }^\circ\text{C}$ - $+105\text{ }^\circ\text{C}$



Product Number	Outside Pipe Diameter	DN	Total Height	Total Width	Total Length	Material Thickness	Operating Temperature	Maximum Allowed Load Faz
Reference Letter	D	D	H	W	L	MT		F _{a,z}
Unit description	mm		mm	mm	mm	mm	CEL	N
I13000008	8		35	35	50	13.30	-45 - 105	100
I13000010	10.2		37	37	50	13.30	-45 - 105	100
I13000012	12		39	39	50	13.30	-45 - 105	100
I13000015	15		42	42	50	13.30	-45 - 105	100
I13000018	17.2 - 18	DN 10	45	45	50	13.30	-45 - 105	100
I13000022	21.3 - 22	DN 15	49	49	50	13.30	-45 - 105	100
I13000028	26.9 - 28	DN 20	55	55	50	13.30	-45 - 105	100
I13000035	33.7 - 35	DN 25	62	62	50	13.30	-45 - 105	100
I13000042	42.4	DN 32	69	69	50	13.30	-45 - 105	150
I13000048	48.3	DN 40	75	75	50	13.30	-45 - 105	225
I13000054	54		81	81	50	13.30	-45 - 105	225
I13000057	57		84	84	50	13.30	-45 - 105	350
I13000060	60.3	DN 50	88	88	50	13.90	-45 - 105	350
I13000064	64		100	100	50	18.00	-45 - 105	350
I13000070	70		103	103	50	16.30	-45 - 105	425
I13000076	76.1	DN 65	109	109	50	16.30	-45 - 105	575
I13000089	88.9	DN 80	125	125	50	17.90	-45 - 105	875
I13000102	101.6		134	134	50	16.30	-45 - 105	1,000
I13000108	108		141	141	50	16.30	-45 - 105	1,075
I13000114	114.3	DN 100	152	152	50	18.90	-45 - 105	1,250
I13000133	133		166	166	100	16.30	-45 - 105	1,475
I13000140	139.7	DN 125	176	176	100	18.20	-45 - 105	1,700
I13000160	159 - 160		193	193	100	16.30	-45 - 105	1,950
I13000168	168.3	DN 150	201	201	100	16.30	-45 - 105	2,125