

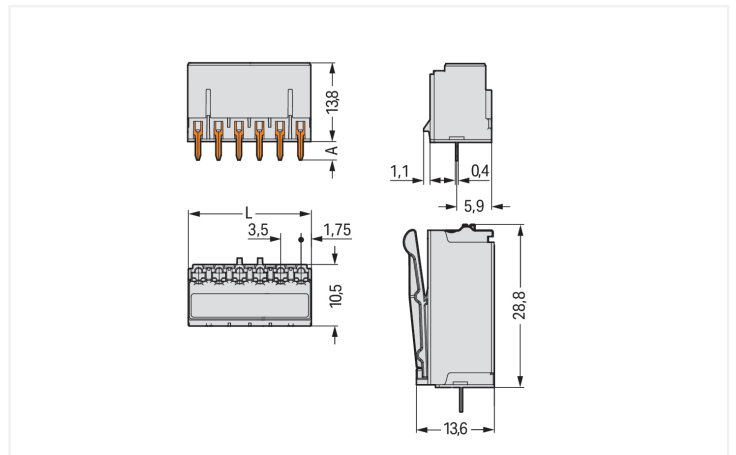
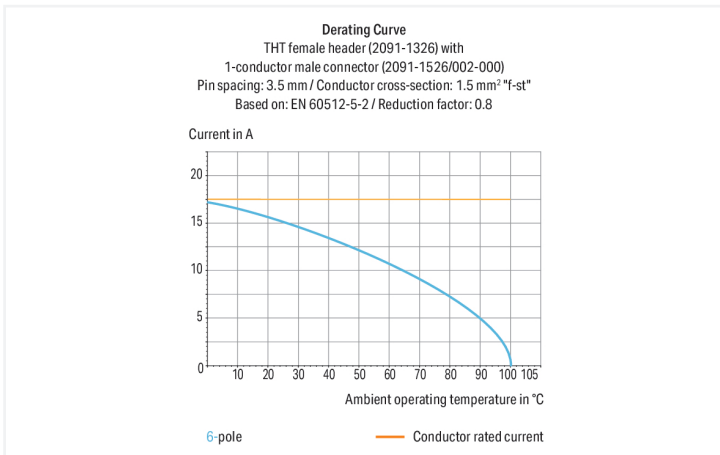
Data Sheet | Item Number: 2091-1306/200-000

THR female header; straight; Pin spacing 3.5 mm; 6-pole; 0.4 x 0.9 mm solder pin; light gray

<https://www.wago.com/2091-1306/200-000>



Color: ■ light gray



Female connector, 2091 Series, light gray

Enjoy effortless electrical installations with this female connector (item number 2091-1306/200-000). The dimensions are (21 x 16.2 x 11.6) mm (width x height x depth).

Tin is used for coating the contact surfaces. THR is used to solder the pcb connector.

Notes

Safety Information

The **picoMAX® Pluggable Connection System** includes connectors without breaking capacity in accordance with DIN EN 61984. When used as intended, these connectors must not be connected/disconnected when live or under load. When used as intended, these connectors must not be connected/disconnected when live or under load. The circuit design should ensure header pins, which can be touched, are not live when un-mated.

Electrical data

| Ratings per | IEC/EN 60664-1 | | | Approvals per | UL 1059 | | |
|---------------------------------|----------------|--------|--------|---------------|---------|---|-------|
| Overvoltage category | III | III | II | Use group | B | C | D |
| Pollution degree | 3 | 2 | 2 | Rated voltage | 300 V | - | 300 V |
| Nominal voltage | 160 V | 160 V | 320 V | Rated current | 10 A | - | 10 A |
| Rated impulse withstand voltage | 2.5 kV | 2.5 kV | 2.5 kV | | | | |
| Rated current | 10 A | 10 A | 10 A | | | | |

Connection Data

| | | |
|----------------------------|---|---------------------|
| Clamping units | 6 | Connection 1 |
| Total number of potentials | 6 | Pole number |
| Number of connection types | 1 | 6 |
| Number of levels | 1 | |

Physical data

| | |
|------------------------------------|--------------------------|
| Pin spacing | 3.5 mm / 0.138 inches |
| Width | 21 mm / 0.827 inches |
| Height | 16.2 mm / 0.638 inches |
| Height from the surface | 13.8 mm / 0.543 inches |
| Depth | 11.6 mm / 0.457 inches |
| Solder pin length | 2.4 mm |
| Solder pin dimensions | 0.4 x 0.9 mm |
| Plated through-hole diameter (THR) | 1.1 ^(+0.1) mm |

Mechanical data

| | |
|--------------------------|-----|
| Variable coding | Yes |
| Anti-rotation protection | Yes |

Plug-in connection

| | |
|--------------------------------------|-------------------------|
| Contact type (pluggable connector) | Female connector/socket |
| Connector (connection type) | for PCB |
| Mismating protection | No |
| Plugging without loss of pin spacing | Yes |
| Mating direction to the PCB | 90 ° |

PCB contact

| | |
|-------------|-----|
| PCB contact | THR |
|-------------|-----|

Material data

| | |
|------------------------------------|--|
| Note (material data) | Information on material specifications can be found here |
| Color | light gray |
| Material group | I |
| Insulation material (main housing) | Polyphthalamide (PPA GF) |
| Flammability class per UL94 | V0 |
| Contact material | Copper alloy |
| Contact Plating | Tin |
| Fire load | 0.075 MJ |
| Weight | 3.1 g |
| MSL per J-STD 020D | 1 |

Environmental requirements

| | |
|-------------------------|-----------------|
| Limit temperature range | -60 ... +100 °C |
| Processing temperature | -35 ... +60 °C |

Commercial data

| | |
|-----------------------|---------------|
| PU (SPU) | 100 pcs |
| Packaging type | Box |
| Country of origin | DE |
| GTIN | 4050821395959 |
| Customs tariff number | 85366990990 |

Product Classification

| | |
|-------------|----------------------|
| UNSPSC | 39121409 |
| eCl@ss 10.0 | 27-44-04-02 |
| eCl@ss 9.0 | 27-44-04-02 |
| ETIM 9.0 | EC002637 |
| ETIM 10.0 | EC002637 |
| ECCN | NO US CLASSIFICATION |

Environmental Product Compliance

| | |
|------------------------|-------------------------|
| RoHS Compliance Status | Compliant, No Exemption |
|------------------------|-------------------------|

Approvals / Certificates

General approvals



| Approval | Standard | Certificate Name |
|---------------------------------------|-----------|------------------|
| CB DEKRA Certification B.V. | IEC 61984 | NL-89884 |
| CSA CSA Group | C22.2 | 2362521 |
| KEMA/KEUR DEKRA Certification B.V. | EN 61984 | 71-129873 |
| UR Underwriters Laboratories Inc. | UL 1059 | E45172 |

Downloads

Environmental Product Compliance

Compliance Search

Environmental Product Compliance
2091-1306/200-000



Documentation

Additional Information

| | | | |
|-------------------|------------|-------------------|--|
| Technical Section | 03.04.2019 | pdf 2027.26 KB | |
| | | pdf 611.20 KB | |

CAD/CAE-Data

CAD data

2D/3D Models
2091-1306/200-000



CAE data

ZUKEN Portal
2091-1306/200-000



PCB Design

| | |
|---|--|
| Symbol and Footprint via SamacSys 2091-1306/200-000 | |
| Symbol and Footprint via Ultra Librarian 2091-1306/200-000 | |

1 Compatible Products

1.1 System counterpart

1.1.1 Male connector/plug



Item No.: [2091-1526/002-000](#)

1-conductor male connector; Push-in CA-GE CLAMP®; 1.5 mm²; Pin spacing 3.5 mm; 6-pole; Integrated release lever; 1,50 mm²; light gray

1.2 Optional Accessories

1.2.1 Coding

1.2.1.1 Coding



Item No.: 2091-1610

Coding key carrier; suitable for 3.5 mm pin spacing; orange