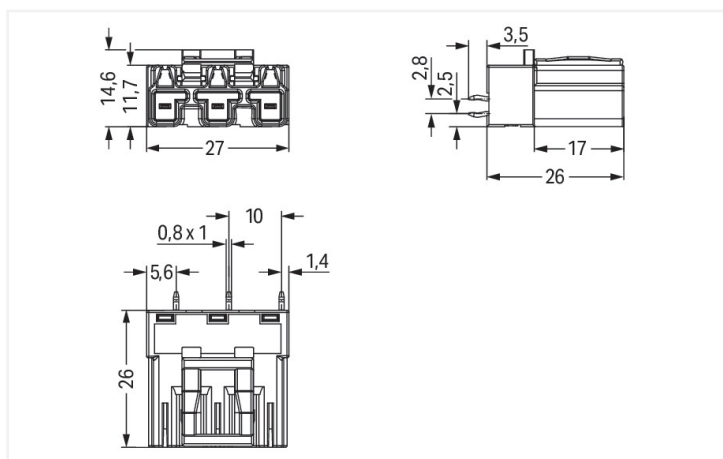


* ± 0.05 mm
 Drilled hole diameter: 1.5^{+0.1} mm

Color: ■ gray

Dimensions in mm



Dimensions in mm

Male connector/plug WINSTA® MIDI rated current 25 A

WAGO offers various connection technology solutions for connecting devices, for example, the WINSTA® MIDI male connector/plug. The pluggable PCB connectors with spring pressure connection technology and Push-in CAGE CLAMP® technology from WAGO permit impact-resistant, maintenance-free, fast terminal connections. For greater protection in electrical installations, the pcb connectors is provided with mechanical protection against mismatching. Pcb connectors with B coding from the WINSTA® MIDI line are available in gray, light green, or pink, allowing you to distinguish different circuits, for example for pumps, lighting, or sun blinds. Your own pole marking is possible in addition. The rated current and voltage are important criteria for selecting a pcb connectors: They tell us about the product's domains of use. This product has a current rating of 25 A – therefore it is suitable for powerful loads. WINSTA® MIDI with Push-in CAGE CLAMP® spring pressure connection technology is found in can be found in a variety of projects you can use for quick, easy, secure, tailored installation.

WINSTA® MIDI solutions for your electrical installation – protected against mismatching and maintenance-free

The WINSTA® Pluggable Connection System is perfectly tailored to the strict requirements of building installation. It makes electrical installation pluggable, and thus faster, even more reliable, and error-free. Use of this pre-assembled system reduces time spent on assembly and installation errors at the construction site. Choose durability and quality – with locking lever from WAGO makes the electrical installation of electrical components significantly easier.

- pcb connectors with protection against mismatching
- for automation controllers
- for automation controllers
- rapid, structured electrical installation

Notes

| | |
|-----------|---|
| Variants: | Other pole markings Other versions (or variants) can be requested from WAGO Sales or configured at https://configurator.wago.com/ . |
|-----------|---|

Electrical data

| Ratings per | IEC/EN 60664-1 | | | Approvals per | UL 1977 |
|---------------------------------|----------------|-----|----|---------------|---------|
| Overvoltage category | III | III | II | Rated voltage | 600 V |
| Pollution degree | 3 | 2 | 2 | Rated current | 23 A |
| Nominal voltage | 250 V | - | - | | |
| Rated impulse withstand voltage | 4 kV | - | - | | |
| Rated current | 25 A | - | - | | |

General information

| | |
|----------------------------|--|
| Note on contact resistance | approx. 1 mΩ of contact resistance approx. 0.25 mΩ contact transition plug/ socket |
|----------------------------|--|

Connection Data

| | | |
|----------------------------|---|---------------------|
| Total number of potentials | 3 | Connection 1 |
| | | Pole number |
| | | 3 |

Physical data

| | |
|--------------------------------------|-----------------------------------|
| Pin spacing | 10 mm / 0.394 inches |
| Width | 27 mm / 1.063 inches |
| Height | 29.5 mm / 1.161 inches |
| Height from the surface | 26 mm / 1.024 inches |
| Depth | 14.6 mm / 0.575 inches |
| Solder pin length | 3.5 mm |
| Solder pin dimensions | 1 x 0.8 mm |
| Drilled hole diameter with tolerance | 1.5 ^(-0.1 ... +0.1) mm |

Mechanical data

| | |
|---|--|
| Use | Control technology |
| Coding | B |
| Variable coding | Yes |
| Marking | 3 2 1 |
| Potential marking | 3 2 1 |
| Mating force of a plug-in connection | approx. 20 ... 70 N (depending on pole number) |
| Retention force of a plug-in connection | Locked: > 80 N |
| Unmating force of a plug-in connection | Unlocked: approx. 20 ... 70 N (depending on pole number) |
| Number of mating cycles | 200, without resistive load |
| Design | straight |

Plug-in connection

| | |
|------------------------------------|--|
| Contact type (pluggable connector) | Male connector/plug |
| Connector (connection type) | for PCB |
| Mismating protection | Yes |
| Note on mismating protection | All WINSTA® components are 100% protected against mismating when: a.) plugging different numbers of poles b.) plugging while rotated 180 c.) plugging while laterally staggered d.) plugging one pole |
| Mating direction to the PCB | 90 ° |
| Locking lever | Yes |
| Locking of plug-in connection | Locking lever |
| Note on locking system | All connectors for mounted installations (snap-in versions for lighting fixtures or devices, all types of PCB and distribution connectors) are factory-equipped with locking levers to ensure plugs and sockets are securely locked. Additional locking levers are only required for flying leads (plug/socket). |

PCB contact

| | |
|-------------------------------------|----------------------------|
| PCB contact | THT |
| Solder pin arrangement | 2 in-line solder pins/pole |
| Number of solder pins per potential | 2 |

Material data

| | |
|------------------------------------|--|
| Note (material data) | Information on material specifications can be found here |
| Color | gray |
| Insulation material (main housing) | Polyamide (PA66) |
| Flammability class per UL94 | V0 |
| Clamping spring material | Chrome-nickel spring steel (CrNi) |
| Contact material | Copper or copper alloy; surface-treated |
| Contact Plating | Tin |
| Fire load | 0.153 MJ |
| Weight | 6.8 g |

Environmental requirements

| | |
|--|--|
| Processing temperature | -5 ... +40 °C |
| Continuous operating temperature | -35 ... +85 °C |
| Note on continuous operating temperature | Insulating parts for temperatures ≤ 105 °C |

Commercial data

| | |
|-----------------------|---------------|
| Product Group | 20 (Winsta) |
| PU (SPU) | 100 pcs |
| Packaging type | Box |
| Country of origin | PL |
| GTIN | 4017332802345 |
| Customs tariff number | 85366990990 |

Product Classification

| | |
|-------------|----------------------|
| UNSPSC | 39121409 |
| eCl@ss 10.0 | 27-44-06-05 |
| eCl@ss 9.0 | 27-44-06-05 |
| ETIM 9.0 | EC002637 |
| ETIM 10.0 | EC002637 |
| ECCN | NO US CLASSIFICATION |

Environmental Product Compliance

| | |
|------------------------|-------------------------|
| RoHS Compliance Status | Compliant, No Exemption |
|------------------------|-------------------------|

Approvals / Certificates

General approvals **Declarations of conformity and manufacturer's declarations**



| Approval | Standard | Certificate Name |
|---|-----------|------------------|
| CCA DEKRA Certification B.V. | IEC 61984 | NL-32104 |
| CCA DEKRA Certification B.V. | EN 61984 | 2173495.01 |
| cURus Underwriters Laboratories Inc. | UL 1977 | E45171 |
| cURus Underwriters Laboratories Inc. | UL 1059 | E 45172 |

| Approval | Standard | Certificate Name |
|---|----------|------------------|
| EU-Declaration of Confor- mity WAGO GmbH & Co. KG | - | - |
| UK-Declaration of Confor- mity WAGO GmbH & Co. KG | - | - |

Approvals for marine applications



| Approval | Standard | Certificate Name |
|---|-----------|------------------|
| ABS American Bureau of Ship- ping | - | 24-0095977-PDA |
| DNV GL Det Norske Veritas, Ger- manischer Lloyd | - | TAE00001Z6 |
| LR Lloyds Register | IEC 61984 | LR22429487TA |

Downloads

Environmental Product Compliance

Compliance Search

Environmental Product Compliance 770-853



CAD/CAE-Data

CAD data

2D/3D Models 770-853



CAE data

EPLAN Data Portal 770-853



ZUKEN Portal 770-853



1 Compatible Products

1.1 System counterpart

1.1.1 Cable assembly



Item No.: 771-9993/105-103

pre-assembled connecting cable; Eca; Socket/open-ended; 3-pole; Cod. B; H05VV-F 3 x 1.0 mm²; 1 m; 1,00 mm²; gray

Item No.: 771-9993/005-103

pre-assembled interconnecting cable; Eca; Socket/plug; 3-pole; Cod. B; H05VV-F 3 x 1.0 mm²; 1 m; 1,00 mm²; gray

1.1.2 Female connector/socket



Item No.: 770-243

Socket; 3-pole; Cod. B; gray

1.2 Required Accessories

1.2.1 Cover

1.2.1.1 Cover



Item No.: 770-360

Lockout cap; for plugs; 5-pole; separable; yellow

1.3 Optional Accessories

1.3.1 Coding

1.3.1.1 Coding



Item No.: [770-401](#)

Coding pin; for plugs; Plastic; gray