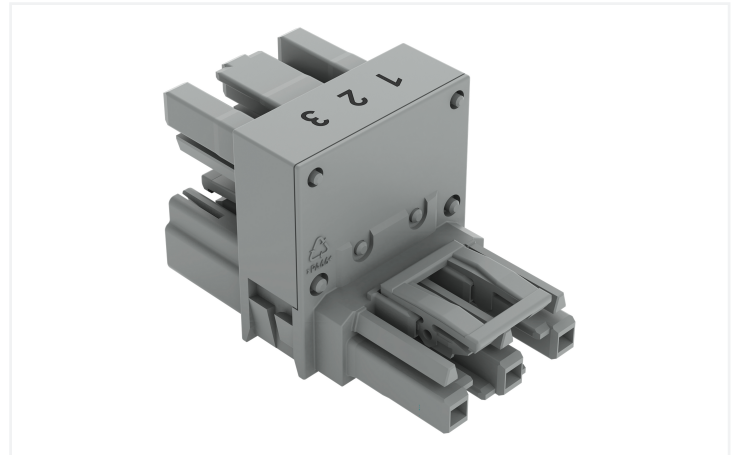
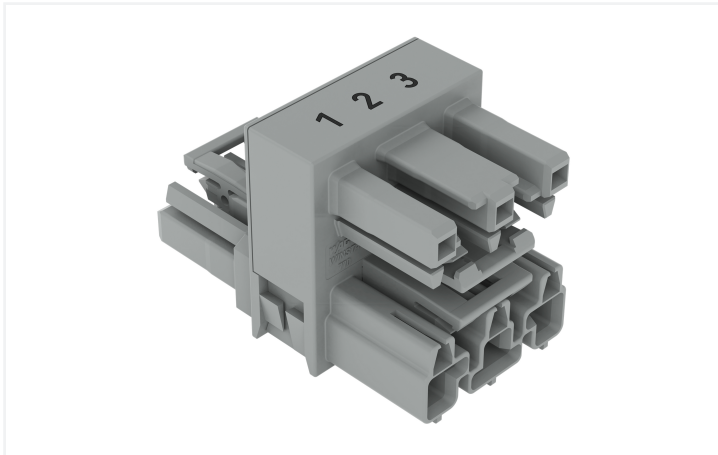


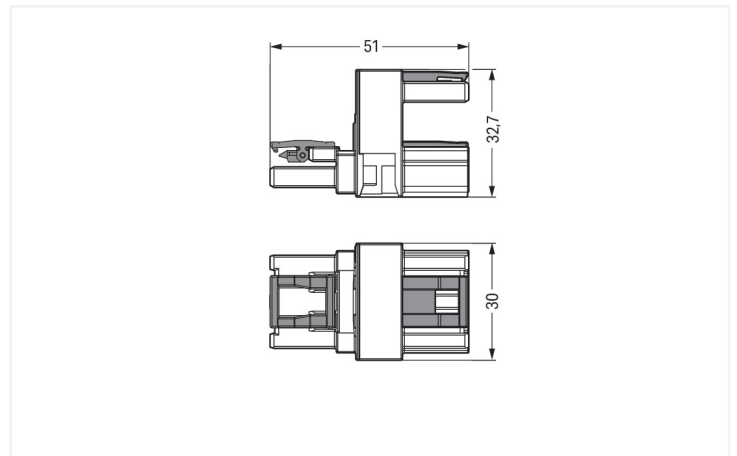
## Data Sheet | Item Number: 770-1767

h-distribution connector; 3-pole; Cod. B; 1 input; 2 outputs; outputs on both sides; 3 locking levers; for flying leads; gray

<https://www.wago.com/770-1767>



Color: ■ gray



Dimensions in mm

### Distribution connector WINSTA® MIDI B coding

Use effective pluggable connections instead of laborious screw connections: With the WINSTA® MIDI distribution connector with protection type IP20. WAGO pluggable installation connectors are used when criteria repeat or are distributed on a defined pattern, for example for installing grid lighting or flush-mount lighting. The pluggable installation connector is protected in accordance with protection type IP20 (When mated: IP2xC (These compact connectors are not designed for use in open, easily accessible areas!)). This means that users' fingers will never come into contact with energised elements. Solutions like the WINSTA® MIDI pluggable installation connectors with B coding are appropriate for applications involving process control, for example, for lighting or within data networks. The rated current and voltage are important criteria for selecting a pluggable installation connector: They provide information about possible domains of use and applications. This product has a current rating of 25 A – as a result it is suitable for high power loads. Our WINSTA® MIDI product line offers total flexibility for the installation. Through its Push-in CAGE CLAMP® spring pressure connection technology, it ensures time-saving, error-free installation and offers customization and flexibility for meeting an enormous variety of installation requirements.

Push-in CAGE CLAMP® spring pressure connection technology – pluggable installation instead of laborious screw connections!

WINSTA® is the pluggable connection system that is perfectly tailored to the strict requirements of electrical installation. It ensures error-free installation of cables and components, quickly and reliably. Choose durability and quality – with protection type IP20 from WAGO makes the installation of electrical components substantially easier.

- pre-assembled versions
- with B coding for controllers, for example sun blinds and lighting fixtures

- exact dimensions
- convenient installation and commissioning

## Notes

Variants:	Other pole markings Other versions (or variants) can be requested from WAGO Sales or configured at <a href="https://configurator.wago.com/">https://configurator.wago.com/</a> .
-----------	---

## Electrical data

### Ratings per IEC/EN

Ratings per	IEC/EN 60664-1
Nominal voltage (III/3)	250 V
Rated impulse withstand voltage (III / 3)	4 kV
Rated current	25 A
Legend (ratings)	(III / 3) $\Delta$ Overvoltage category III / Pollution degree 3

### Ratings per UL 1977

Note for the US market	Some versions may also be used for current interruption in accordance with the UL certificate in select applications with currents below 16 A and voltages up to 600 V. For further information, please contact your local sales office.
------------------------	--

## General information

Note on contact resistance	approx. 1 m $\Omega$ of contact resistance approx. 0.25 m $\Omega$ contact transition plug/ socket
----------------------------	--

## Connection Data

Total number of potentials	3
----------------------------	---

### Connection 1

Pole number	3
-------------	---

## Physical data

Pin spacing	10 mm / 0.394 inches
Width	30 mm / 1.181 inches
Height	32.7 mm / 1.287 inches
Depth	51 mm / 2.008 inches

## Mechanical data

Use	Control technology
Coding	B
Marking	1 2 3
Potential marking	1 2 3
Mating force of a plug-in connection	Approx. 20 ... 70 N (depending on pole number)
Retention force of a plug-in connection	When locked: > 80 N
Unmating force of a plug-in connection	Unlocked: approx. 20 ... 70 N (depending on pole number)
Number of mating cycles	200, without resistive load
Type of distribution box	h-distribution connector, outputs at both ends
Protection type	IP20; When mated: IP2xC (These compact connectors are not designed for use in open, easily accessible areas!)
Suitable	for flying leads

### Plug-in connection

Note on mismatching protection	All WINSTA® components are 100% protected against mismatching when: a.) plugging different numbers of poles b.) plugging while rotated 180 c.) plugging while laterally staggered d.) plugging one pole
Locking lever	Yes
Locking of plug-in connection	Locking lever
Note on locking system	All connectors for mounted installations (snap-in versions for lighting fixtures or devices, all types of PCB and distribution connectors) are factory-equipped with locking levers to ensure plugs and sockets are securely locked. Additional locking levers are only required for flying leads (plug/socket).
Number of locking levers	3

### Material data

Note (material data)	<a href="#">Information on material specifications can be found here</a>
Color	gray
Contact material	Copper or copper alloy; surface-treated
Contact Plating	Tin
Fire load	1.437 MJ
Weight	25.4 g

### Environmental requirements

Processing temperature	-5 ... +40 °C
Continuous operating temperature	-35 ... +85 °C
Note on continuous operating temperature	Insulating parts for temperatures ≤ 105 °C

### Commercial data

Product Group	20 (Winsta)
PU (SPU)	50 pcs
Packaging type	Box
Country of origin	DE
GTIN	4050821702313
Customs tariff number	85366990990

### Product Classification

UNSPSC	39121406
ETIM 9.0	EC002567
ETIM 10.0	EC002567
ECCN	NO US CLASSIFICATION

### Environmental Product Compliance

RoHS Compliance Status	Compliant, No Exemption
------------------------	-------------------------

## Approvals / Certificates

### General approvals



Approval	Standard	Certificate Name
cURus Underwriters Laboratories Inc.	UL 1059	E 45172

## Downloads

### Environmental Product Compliance

#### Compliance Search

Environmental Product  
Compliance 770-1767



## CAD/CAE-Data

#### CAD data

2D/3D Models  
770-1767



## 1 Compatible Products

### 1.1 System counterpart

#### 1.1.1 Cable assembly



**Item No.: 771-9993/205-103**

pre-assembled connecting cable; Eca;  
Plug/open-ended; 3-pole; Cod. B; H05VV-F  
3 x 1.0 mm<sup>2</sup>; 1 m; 1,00 mm<sup>2</sup>; gray



**Item No.: 771-9993/105-103**

pre-assembled connecting cable; Eca;  
Socket/open-ended; 3-pole; Cod. B;  
H05VV-F 3 x 1.0 mm<sup>2</sup>; 1 m; 1,00 mm<sup>2</sup>;  
gray



**Item No.: 771-9993/005-103**

pre-assembled interconnecting cable;  
Eca; Socket/plug; 3-pole; Cod. B; H05VV-F  
3 x 1.0 mm<sup>2</sup>; 1 m; 1,00 mm<sup>2</sup>; gray

#### 1.1.2 Female connector/socket



**Item No.: 770-243**

Socket; 3-pole; Cod. B; gray

#### 1.1.3 Male connector/plug



**Item No.: 770-253**

Plug; 3-pole; Cod. B; gray

## 1.2 Optional Accessories

### 1.2.1 Cover

#### 1.2.1.1 Cover



**Item No.: 770-201**

Lockout cap; 12-pole, separable; for sockets; Plastic; black



**Item No.: 770-221**

Lockout cap; 12-pole, separable; for sockets; Plastic; white



**Item No.: 770-360**

Lockout cap; for plugs; 5-pole; separable; yellow

## 1.2.2 Installation

### 1.2.2.1 Mounting accessories



**Item No.: 770-623**

Mounting plate; 3-pole; for distribution connectors; Plastic; black

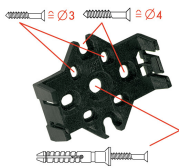


**Item No.: 770-673**

Mounting plate; 3-pole; for distribution connectors; Plastic; white

## Installation Notes

### Installation



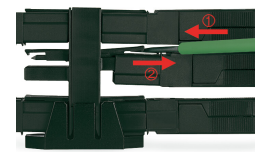
Mounting plates can be secured using commercially available screws or nail-drive anchors.



The distribution connectors snap together when attached to the mounting plate.



To release the distribution connector, unlock the latch using a screwdriver.



All distribution connector connections are locked and protected against accidental disconnection directly after mating. Locking of any connection is released using a screwdriver, even if all connections are used.