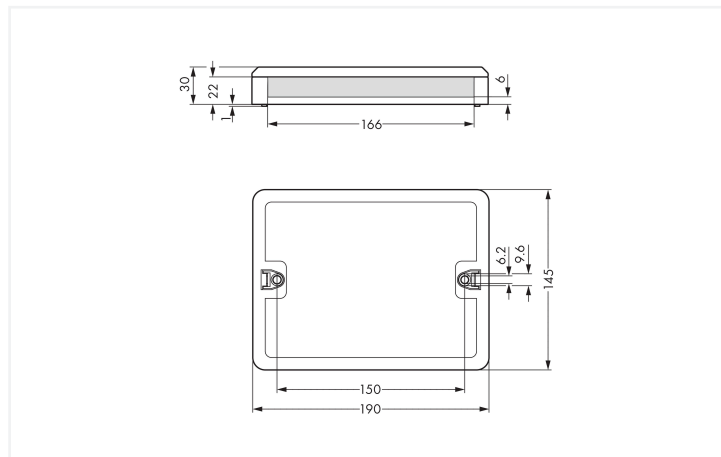
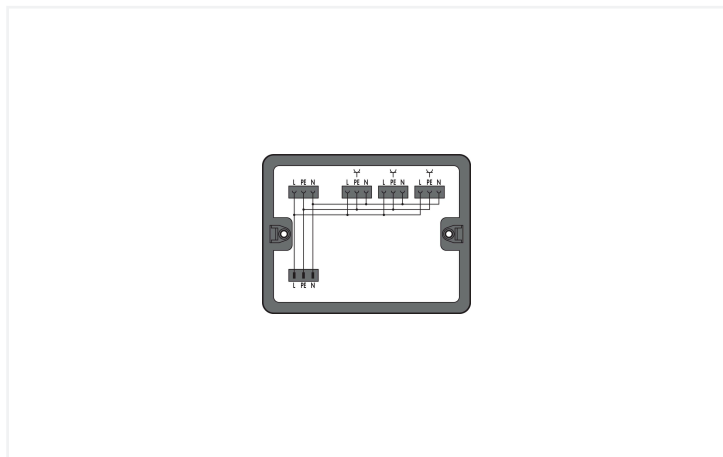


Data Sheet | Item Number: 899-631/476-000

Distribution box; Single-phase current (230 V); 1 input; 4 outputs; Cod. A; MIDI; black

<https://www.wago.com/899-631/476-000>



Color: ■ black

Dimensions in mm

Distribution box WINSTA® with protection type IP20

The distribution box from the WINSTA® product line with protection type IP20 is the sophisticated solution for straightforward electrical installation. With WAGO, you benefit from a large selection of accessories for the WINSTA® product line. For greater security in electrical installations, the distribution box is equipped with mechanical protection against mismatching. The distribution box offers protection against contact with live components in accordance with protection type IP20 (When mated: IP2xC (These compact connectors are not designed for use in open, easily accessible areas!)). The WINSTA® distribution box with A coding in black or white is usually used for general mains applications in power distribution. Important parameters in the selection of a distribution box are the rated current and voltage: They provide information about possible domains of use and applications. This product has a current rating of 20 A – as a result it is also suitable for high power loads.

WINSTA® solutions for your electrical installation – protected against mismatching and maintenance-free

The WINSTA® Pluggable Connection System allows pluggable electrical installation. This significantly reduces the need for servicing and lowers costs. Take advantage of the pluggable version of our maintenance-free spring pressure connection technology too! Plan your installation with with protection against mismatching from WAGO.

- distribution boxes with protection against mismatching
- intuitive marking
- saves time, since no wiring is required at the construction site
- with A coding for use in a large number of general mains applications
- quick replacement of defective units during ongoing operation

Electrical data

| Ratings per | IEC/EN 60664-1 | | |
|---------------------------------|----------------|-----|----|
| Overvoltage category | III | III | II |
| Pollution degree | 3 | 2 | 2 |
| Nominal voltage | 250 V | - | - |
| Rated impulse withstand voltage | 4 kV | - | - |
| Rated current | 20 A | - | - |

General information

| | |
|----------------------------|---|
| Note on contact resistance | approx. 1 mΩ contact resistance approx. 0.25 mΩ contact transition (plug/ socket) |
|----------------------------|---|

Connection Data

Connection 1

| | |
|---------------------|-----------------------------|
| Connection type | Input |
| Pluggable connector | MIDI plug, 3-pole (770-213) |

Connection 2

| | |
|-----------------|-------------------------------|
| Connection type | Output |
| Connector | MIDI socket, 3-pole (770-203) |

Physical data

| | |
|--------|-----------------------|
| Width | 190 mm / 7.48 inches |
| Height | 31 mm / 1.22 inches |
| Depth | 145 mm / 5.709 inches |

Mechanical data

| | |
|-----------------|---|
| Internal wiring | 2.5 mm ² |
| Use | Single-phase current (230 V) |
| Coding | A |
| Mounting type | Wall, screw mount Installation on mounting plate |
| Protection type | IP20; When mated: IP2xC (These compact connectors are not designed for use in open, easily accessible areas!) |

Plug-in connection

| | |
|-------------------------------|---|
| Mismating protection | Yes |
| Note on mismating protection | All <i>WINSTA</i> ® components are 100% protected against mismating when: a.) plugging different numbers of poles b.) plugging while rotated 180 c.) plugging while laterally staggered d.) plugging one pole |
| Locking of plug-in connection | Locking lever |

Material data

| | |
|------------------------------------|--|
| Note (material data) | Information on material specifications can be found here |
| Color | black |
| Insulation material (main housing) | Polyamide (PA66) |
| Flammability class per UL94 | V0 |
| Contact material | Copper or copper alloy; surface-treated |
| Contact Plating | Tin |
| Fire load | 12.552 MJ |
| Weight | 283.8 g |

Environmental requirements

| | |
|--|--|
| Processing temperature | -5 ... +40 °C |
| Continuous operating temperature | -35 ... +85 °C |
| Note on continuous operating temperature | Insulating parts for temperatures ≤ 105 °C |

Commercial data

| | |
|-----------------------|---------------|
| PU (SPU) | 1 pcs |
| Packaging type | Box |
| Country of origin | DE |
| GTIN | 4055143932080 |
| Customs tariff number | 85366990990 |

Product Classification

| | |
|-----------|----------------------|
| UNSPSC | 39121406 |
| ETIM 9.0 | EC002567 |
| ETIM 10.0 | EC002567 |
| ECCN | NO US CLASSIFICATION |


Environmental Product Compliance

| | |
|------------------------|-------------------------|
| RoHS Compliance Status | Compliant, No Exemption |
|------------------------|-------------------------|

Downloads

Environmental Product Compliance

Compliance Search

Environmental Product Compliance 899-631/476-000 

1 Compatible Products

1.1 System counterpart

1.1.1 Cable assembly



Item No.: 771-9993/206-101
pre-assembled connecting cable; Eca; Plug/open-ended; 3-pole; Cod. A; H05VV-F 3G 1.5 mm²; 1 m; 1,50 mm²; black



Item No.: 771-9993/106-101
pre-assembled connecting cable; Eca; Socket/open-ended; 3-pole; Cod. A; H05VV-F 3G 1.5 mm²; 1 m; 1,50 mm²; black



Item No.: 771-9993/006-101
pre-assembled interconnecting cable; Eca; Socket/plug; 3-pole; Cod. A; H05VV-F 3G 1.5 mm²; 1 m; 1,50 mm²; black

1.1.2 Female connector/socket



Item No.: 770-203
Socket; 3-pole; Cod. A; black



Item No.: 770-103
Socket; with strain relief housing; 3-pole; Cod. A; 4,00 mm²; black



Item No.: 770-203/035-000
Socket; with strain relief housing; 3-pole; Cod. A; 4,00 mm²; black

1.1.3 Male connector/plug



Item No.: 770-213

Plug; 3-pole; Cod. A; black



Item No.: 770-113

Plug; with strain relief housing; 3-pole;
Cod. A; 4,00 mm²; black



Item No.: 770-213/035-000

Plug; with strain relief housing; 3-pole;
Cod. A; 4,00 mm²; black

1.2 Optional Accessories

1.2.1 Installation

1.2.1.1 Mounting accessories



Item No.: 899-680

Mounting plate; for distribution boxes; gray

Installation Notes

Installation

