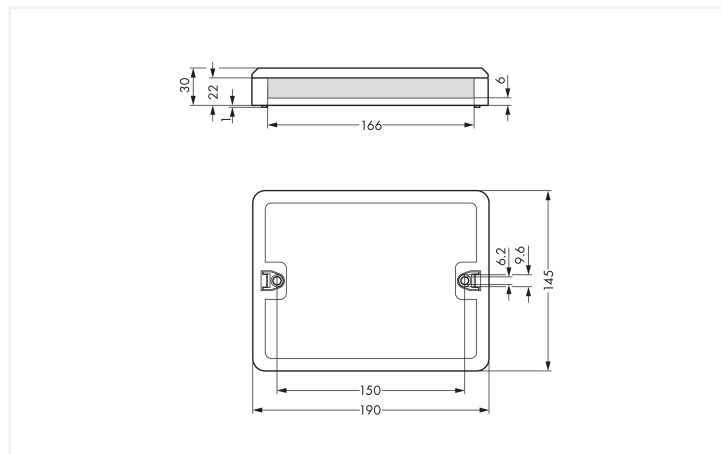
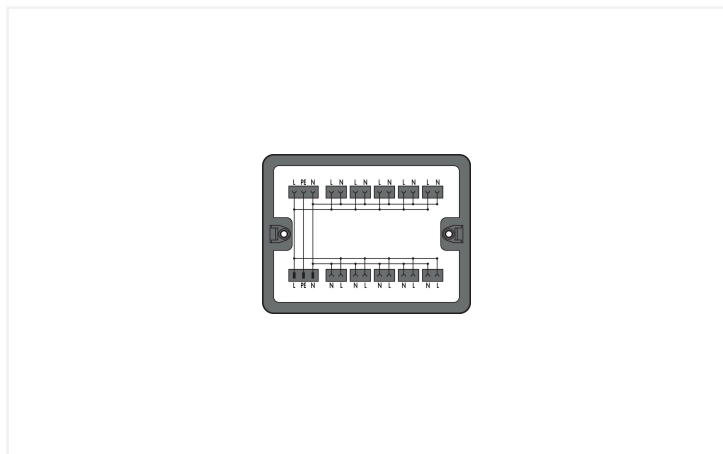


Data Sheet | Item Number: 899-631/477-000

Distribution box; Single-phase current (230 V); 1 input; 11 outputs; Cod. A; MIDI; black

<https://www.wago.com/899-631/477-000>



Color: ■ black

Dimensions in mm

Distribution box WINSTA® with protection against mismatching

The distribution box from the WINSTA® product line with protection against mismatching is the sophisticated solution for trouble-free electrical installation. An extensive range of accessories complements the WINSTA® product line from WAGO. For greater protection in electrical installations, the distribution box is provided with mechanical protection against mismatching. The distribution box is protected against ingress by solid objects in accordance with protection type IP20 (When mated: IP2xC (These compact connectors are not designed for use in open, easily accessible areas!)). The WINSTA® distribution box with A coding in white or black is normally used for general mains applications in power distribution.

WINSTA® solutions for your electrical installation – protected against mismatching and maintenance-free

The WINSTA® Pluggable Connection System is ideally tailored to the strict requirements of building installation. It makes electrical installation pluggable, and consequently more efficient, more reliable, and error-free. Using this pre-assembled system decreases assembly times and errors during installation at the construction site. Now you can also reduce installation costs without compromising safety and quality: with protection against mismatching eliminates the need for servicing and prevents unnecessary downtime.

- protection against mismatching eliminates errors
- clear slot identification for easy commissioning
- products perfectly tailored to your requirements guarantee safe use
- suitable for any application
- rapid, structured electrical installation

Electrical data

Ratings per	IEC/EN 60664-1		
Overvoltage category	III	III	II
Pollution degree	3	2	2
Nominal voltage	250 V	-	-
Rated impulse withstand voltage	4 kV	-	-
Rated current	16 A	-	-

General information

Note on contact resistance	approx. 1 mΩ contact resistance approx. 0.25 mΩ contact transition (plug/ socket)
----------------------------	--

Connection Data

Connection 1		Connection 2	
Connection type	Input	Connection type	Output
Pluggable connector	MIDI plug, 3-pole (770-213)	Connector	MIDI socket, 3-pole (770-203)
Connection 3			
Connection type	Output		
Connector	MIDI socket, 2-pole (770-202)		

Physical data

Width	190 mm / 7.48 inches
Height	31 mm / 1.22 inches
Depth	145 mm / 5.709 inches

Mechanical data

Internal wiring	1.5 mm ²
Use	Single-phase current (230 V)
Coding	A
Mounting type	Wall, screw mount Installation on mounting plate
Protection type	IP20; When mated: IP2xC (These compact connectors are not designed for use in open, easily accessible areas!)

Plug-in connection

Mismating protection	Yes
Note on mismating protection	All <i>WINSTA</i> ® components are 100% protected against mismating when: a.) plugging different numbers of poles b.) plugging while rotated 180 c.) plugging while laterally staggered d.) plugging one pole
Locking of plug-in connection	Locking lever

Material data

Note (material data)	Information on material specifications can be found here
Color	black
Insulation material (main housing)	Polyamide (PA66)
Flammability class per UL94	V0
Contact material	Copper or copper alloy; surface-treated
Contact Plating	Tin
Fire load	7.349 MJ
Weight	327.1 g

Environmental requirements

Processing temperature	-5 ... +40 °C
Continuous operating temperature	-35 ... +85 °C
Note on continuous operating temperature	Insulating parts for temperatures ≤ 105 °C

Commercial data

PU (SPU)	1 pcs
Packaging type	Box
Country of origin	DE
GTIN	4055143932097
Customs tariff number	85366990990

Product Classification

UNSPSC	39121406
ETIM 9.0	EC002567
ETIM 10.0	EC002567
ECCN	NO US CLASSIFICATION

Environmental Product Compliance

RoHS Compliance Status	Compliant, No Exemption
------------------------	-------------------------

Downloads

Environmental Product Compliance

Compliance Search

Environmental Product
Compliance
899-631/477-000



1 Compatible Products

1.1 System counterpart

1.1.1 Cable assembly



Item No.: 771-8992/006-101

pre-assembled interconnecting cable;
Eca; Socket/plug; 2-pole; Cod. A; H05VV-
F 2 x 1.5 mm²; 1 m; 1,50 mm²; black



Item No.: 771-9993/006-101

pre-assembled interconnecting cable;
Eca; Socket/plug; 3-pole; Cod. A; H05VV-
F 3G 1.5 mm²; 1 m; 1,50 mm²; black

1.1.2 Female connector/socket



Item No.: 770-203

Socket; 3-pole; Cod. A; black



Item No.: 770-103

Socket; with strain relief housing; 3-pole;
Cod. A; 4,00 mm²; black

1.1.3 Male connector/plug



Item No.: 770-212

Plug; 2-pole; Cod. A; black

Item No.: 770-213

Plug; 3-pole; Cod. A; black

Item No.: 770-112/041-000

Plug; with strain relief housing; 2-pole; Cod. A; black

Item No.: 770-113

Plug; with strain relief housing; 3-pole; Cod. A; 4,00 mm²; black

1.2 Optional Accessories

1.2.1 Installation

1.2.1.1 Mounting accessories



Item No.: 899-680

Mounting plate; for distribution boxes; gray

Installation Notes

Installation

