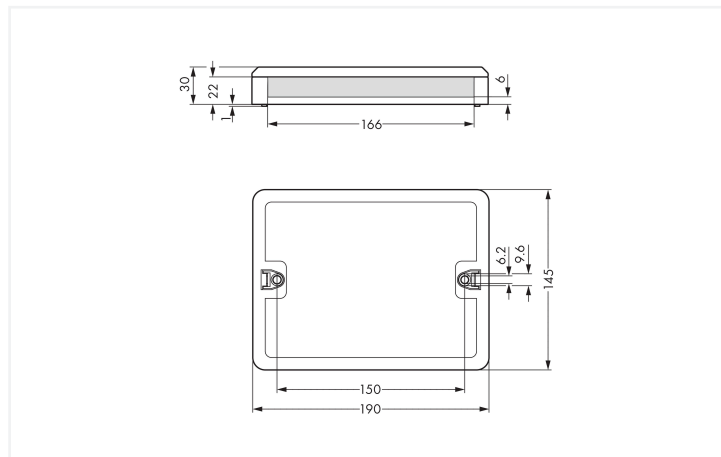
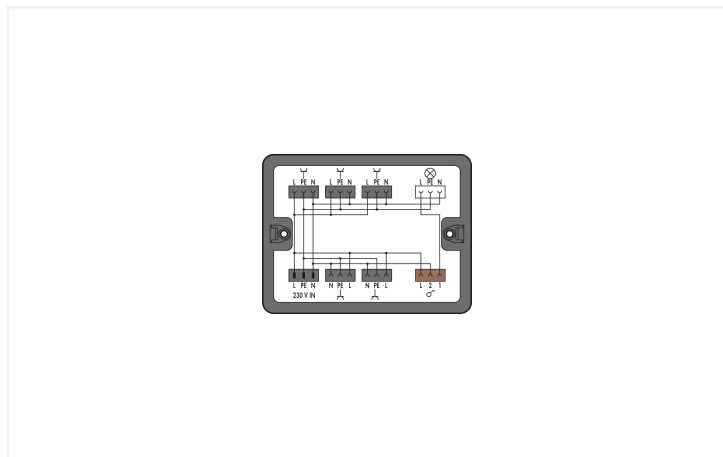


# Data Sheet | Item Number: 899-631/478-000

Distribution box; Single-pole switch circuit; 1 input; 7 outputs; Cod. A, S; MIDI; black

<https://www.wago.com/899-631/478-000>



Color: ■ black

Dimensions in mm

## Distribution box WINSTA® with protection against mismatching

Thanks to the distribution box from the WINSTA® product line with a current rating of 25 A, zero-defect installation is guaranteed. With WAGO, you can enjoy the advantages of a large selection of expansions for the WINSTA® product line. For greater protection in electrical installations, the distribution box is provided with mechanical protection against mismatching. The distribution box offers touch-proof protection with live components in accordance with protection type IP20 (When mated: IP2xC (These compact connectors are not designed for use in open, easily accessible areas!)). This distribution box is designed for a current load of up to 25 A. Therefore, it can also be used for high power loads.

Push-in CAGE CLAMP® spring pressure connection technology – pluggable installation instead of laborious screw connections!

The WINSTA® Pluggable Connection System is ideally tailored to the very strict requirements of building installation. It makes electrical installation pluggable, and therefore faster, more reliable, and error-free. Using this pre-assembled system reduces assembly times and installation errors at the construction site. Choose durability and quality – with protection type IP20 from WAGO makes the installation of electrical components noticeably easier.

- protection against mismatching eliminates errors
- intuitive distribution box marking
- products perfectly tailored to your requirements guarantee safe use
- quick replacement of defective units during ongoing operation

## Electrical data

### Ratings per

### IEC/EN 60664-1

Overvoltage category	III	III	II
Pollution degree	3	2	2
Nominal voltage	250 V	-	-
Rated impulse withstand voltage	4 kV	-	-
Rated current	25 A	-	-

### General information

Note on contact resistance	approx. 1 mΩ contact resistance approx. 0.25 mΩ contact transition (plug/ socket)
----------------------------	---

## Connection Data

Connection 1		Connection 2	
Connection type	Input	Connection type	Output
Pluggable connector	MIDI plug, 3-pole (770-213)	Connector	MIDI socket, 3-pole (770-203)
Connection 3		Connection 4	
Connection type	Output	Connection type	Output
Connector	MIDI socket, 3-pole (770-223)	Connector	MIDI socket, 3-pole (770-1363)

## Physical data

Width	190 mm / 7.48 inches
Height	31 mm / 1.22 inches
Depth	145 mm / 5.709 inches

## Mechanical data

Internal wiring	2.5 mm <sup>2</sup>
Use	Single-pole switch circuit
Mounting type	Wall, screw mount Installation on mounting plate
Protection type	IP20; When mated: IP2xC (These compact connectors are not designed for use in open, easily accessible areas!)

## Plug-in connection

Mismating protection	Yes
Note on mismating protection	All <i>WINSTA</i> ® components are 100% protected against mismating when: a.) plugging different numbers of poles b.) plugging while rotated 180 c.) plugging while laterally staggered d.) plugging one pole
Locking of plug-in connection	Locking lever

## Material data

Note (material data)	<a href="#">Information on material specifications can be found here</a>
Color	black
Insulation material (main housing)	Polyamide (PA66)
Flammability class per UL94	V0
Contact material	Copper or copper alloy; surface-treated
Contact Plating	Tin
Fire load	16.193 MJ
Weight	641.1 g

## Environmental requirements

Processing temperature	-5 ... +40 °C
Continuous operating temperature	-35 ... +85 °C
Note on continuous operating temperature	Insulating parts for temperatures ≤ 105 °C

**Commercial data**

PU (SPU)	1 pcs
Packaging type	Box
Country of origin	DE
GTIN	4055143941983
Customs tariff number	85366990990

**Product Classification**

UNSPSC	39121406
ETIM 9.0	EC002567
ETIM 10.0	EC002567
ECCN	NO US CLASSIFICATION


**Environmental Product Compliance**

RoHS Compliance Status	Compliant, No Exemption
------------------------	-------------------------

**Downloads**

**Environmental Product Compliance**

**Compliance Search**

Environmental Product Compliance 899-631/478-000 

**1 Compatible Products**

**1.1 System counterpart**

**1.1.1 Cable assembly**



**Item No.: 771-9993/006-101**  
pre-assembled interconnecting cable; Eca; Socket/plug; 3-pole; Cod. A; H05VV-F 3G 1.5 mm<sup>2</sup>; 1 m; 1,50 mm<sup>2</sup>; black



**Item No.: 771-9993/006-102**  
pre-assembled interconnecting cable; Eca; Socket/plug; 3-pole; Cod. A; H05VV-F 3G 1.5 mm<sup>2</sup>; 1 m; 1,50 mm<sup>2</sup>; white



**Item No.: 771-9973/006-105**  
pre-assembled interconnecting cable; Eca; Socket/plug; 3-pole; Cod. S; H05VV-F 3 x 1.5 mm<sup>2</sup>; 1 m; 1,50 mm<sup>2</sup>; brown

**1.1.2 Female connector/socket**



**Item No.: 770-203**  
Socket; 3-pole; Cod. A; black



**Item No.: 770-103**  
Socket; with strain relief housing; 3-pole; Cod. A; 4,00 mm<sup>2</sup>; black

**1.1.3 Male connector/plug**



**Item No.: 770-1373**  
Plug; 3-pole; 4,00 mm<sup>2</sup>; brown



**Item No.: 770-213**  
Plug; 3-pole; Cod. A; black



**Item No.: 770-233**  
Plug; 3-pole; Cod. A; white



**Item No.: 770-113**  
Plug; with strain relief housing; 3-pole; Cod. A; 4,00 mm<sup>2</sup>; black



**Item No.: 770-133**  
Plug; with strain relief housing; 3-pole; Cod. A; 4,00 mm<sup>2</sup>; white

## 1.2 Optional Accessories

### 1.2.1 Installation

#### 1.2.1.1 Mounting accessories



Item No.: [899-680](#)

Mounting plate; for distribution boxes; gray

## Installation Notes

### Installation

