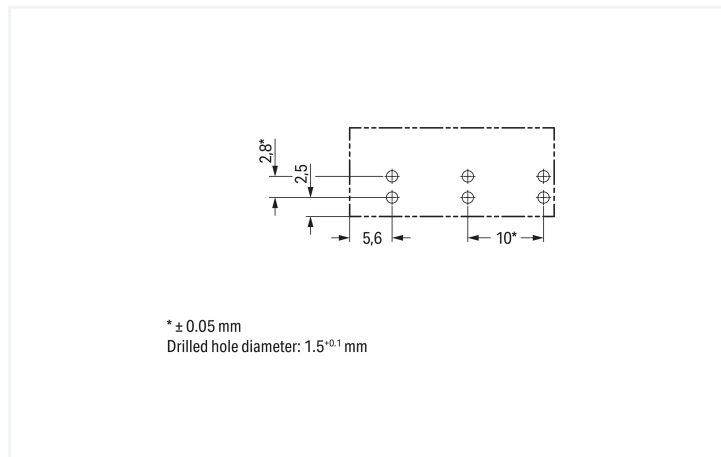
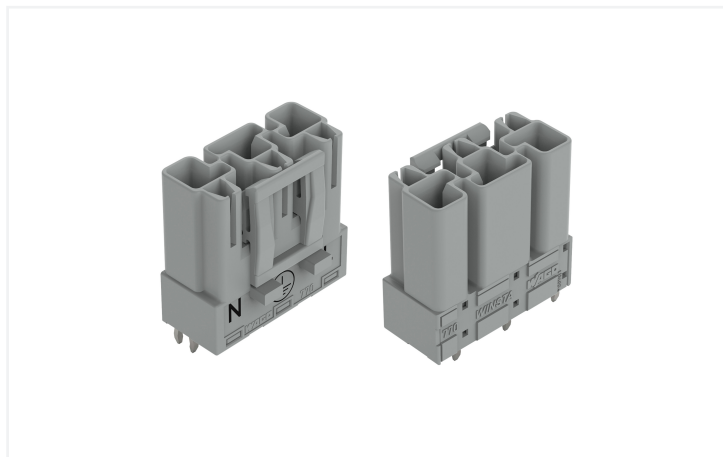


# Data Sheet | Item Number: 770-853/060-000

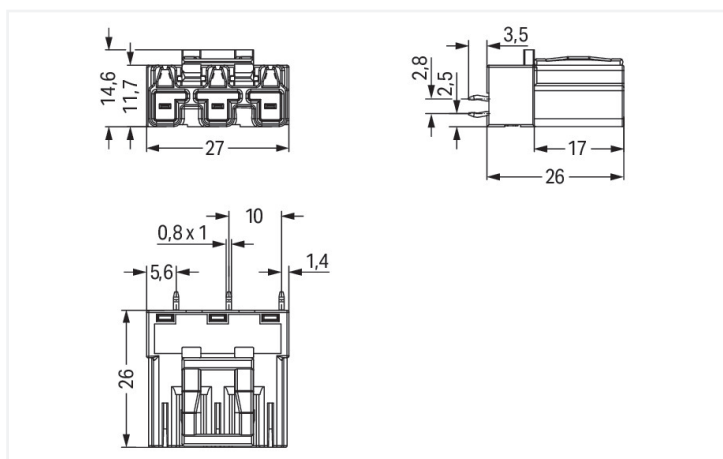
Plug for PCBs; straight; 3-pole; Cod. B; gray

<https://www.wago.com/770-853/060-000>



Color: ■ gray

Dimensions in mm



Dimensions in mm

## Male connector/plug WINSTA® MIDI 3-pole

The WINSTA® MIDI male connector/plug 3-pole are compact but powerful PCB terminal blocks. They offer easy operation and the greatest possible flexibility for installation. Our giant selection of pluggable PCB connectors with different insertion directions and operating variants offers you the perfect solution for your application at any time. For greater protection in electrical installations, the pcb connectors is provided with mechanical protection against mismatching. B coding enables the WINSTA® MIDI pcb connectors to be used for application control in automation, robotics, and mechanical engineering. Important parameters in the selection of a pcb connectors are the rated current and voltage: They tell us about the product's domains of use. This product has a current rating of 25 A – as a result it is suitable for robust loads. The WINSTA® MIDI Pluggable Connection System with Push-in CAGE CLAMP® spring pressure connection technology facilitates safe electrification. Due to the integrated test slot, it is possible to check connections even when they are plugged in. That saves time and reduces installation labor and expense.

WINSTA® MIDI solutions for your electrical installation – protected against mismatching and maintenance-free

The WINSTA® Pluggable Connection System allows pluggable electrical installation. This saves time, lowers costs, and reduces the need for servicing. Choose quality and durability – with locking lever from WAGO makes the installation of electrical components visibly easier.

- effective protection against mismatching
- for automation controllers
- with B coding for use in process automation, such as lighting technology, among other examples
- convenient installation and commissioning

## Notes

Variants:

Other pole markings

Other versions (or variants) can be requested from WAGO Sales or configured at <https://configurator.wago.com/>.

## Electrical data

| Ratings per                     | IEC/EN 60664-1 |     |    | Approvals per | UL 1977 |
|---------------------------------|----------------|-----|----|---------------|---------|
| Overtoltage category            | III            | III | II | Rated voltage | 600 V   |
| Pollution degree                | 3              | 2   | 2  | Rated current | 23 A    |
| Nominal voltage                 | 250 V          | -   | -  |               |         |
| Rated impulse withstand voltage | 4 kV           | -   | -  |               |         |
| Rated current                   | 25 A           | -   | -  |               |         |

## General information

|                            |  |
|----------------------------|--|
| Note on contact resistance | approx. 1 mΩ of contact resistance<br>approx. 0.25 mΩ contact transition plug/<br>socket |
|----------------------------|--|

## Connection Data

|                            |   |                     |
|----------------------------|---|---------------------|
| Total number of potentials | 3 | <b>Connection 1</b> |
|                            |   | Pole number         |
|                            |   | 3                   |

## Physical data

|                                      |                                   |
|--------------------------------------|-----------------------------------|
| Pin spacing                          | 10 mm / 0.394 inches              |
| Width                                | 27 mm / 1.063 inches              |
| Height                               | 29.5 mm / 1.161 inches            |
| Height from the surface              | 26 mm / 1.024 inches              |
| Depth                                | 14.6 mm / 0.575 inches            |
| Solder pin length                    | 3.5 mm                            |
| Solder pin dimensions                | 1 x 0.8 mm                        |
| Drilled hole diameter with tolerance | 1.5 <sup>(-0.1 ... +0.1)</sup> mm |

## Mechanical data

|   |  |
|---|--|
| Use                                     | Control technology                                       |
| Coding                                  | B  |
| Variable coding                         | Yes  |
| Marking                                 | N ⊕ L  |
| Potential marking                       | N ⊕ L  |
| Mating force of a plug-in connection    | approx. 20 ... 70 N (depending on pole number)           |
| Retention force of a plug-in connection | Locked: > 80 N   |
| Unmating force of a plug-in connection  | Unlocked: approx. 20 ... 70 N (depending on pole number) |
| Number of mating cycles                 | 200, without resistive load                              |
| Design                                  | straight   |

### Plug-in connection

|                                    |  |
|------------------------------------|--|
| Contact type (pluggable connector) | Male connector/plug  |
| Connector (connection type)        | for PCB  |
| Mismating protection               | Yes  |
| Note on mismating protection       | All WINSTA® components are 100% protected against mismating when:<br>a.) plugging different numbers of poles<br>b.) plugging while rotated 180<br>c.) plugging while laterally staggered<br>d.) plugging one pole  |
| Mating direction to the PCB        | 90 °   |
| Locking lever                      | Yes  |
| Locking of plug-in connection      | Locking lever  |
| Note on locking system             | All connectors for mounted installations (snap-in versions for lighting fixtures or devices, all types of PCB and distribution connectors) are factory-equipped with locking levers to ensure plugs and sockets are securely locked. Additional locking levers are only required for flying leads (plug/socket). |

### PCB contact

|                                     |                            |
|-------------------------------------|----------------------------|
| PCB contact                         | THT                        |
| Solder pin arrangement              | 2 in-line solder pins/pole |
| Number of solder pins per potential | 2                          |

### Material data

|                                    |  |
|------------------------------------|--|
| Note (material data)               | <a href="#">Information on material specifications can be found here</a> |
| Color                              | gray   |
| Insulation material (main housing) | Polyamide (PA66)   |
| Flammability class per UL94        | V0   |
| Clamping spring material           | Chrome-nickel spring steel (CrNi)  |
| Contact material                   | Copper or copper alloy; surface-treated                                  |
| Contact Plating                    | Tin  |
| Fire load                          | 0.153 MJ   |
| Weight                             | 6.8 g  |

### Environmental requirements

|  |  |
|--|--|
| Processing temperature                   | -5 ... +40 °C                              |
| Continuous operating temperature         | -35 ... +85 °C                             |
| Note on continuous operating temperature | Insulating parts for temperatures ≤ 105 °C |

### Commercial data

|                       |               |
|-----------------------|---------------|
| PU (SPU)              | 100 pcs       |
| Packaging type        | Box           |
| Country of origin     | PL            |
| GTIN                  | 4050821553236 |
| Customs tariff number | 85366990990   |

**Product Classification**

|             |                      |
|-------------|----------------------|
| UNSPSC      | 39121409             |
| eCl@ss 10.0 | 27-44-06-05          |
| eCl@ss 9.0  | 27-44-06-05          |
| ETIM 9.0    | EC002637             |
| ETIM 10.0   | EC002637             |
| ECCN        | NO US CLASSIFICATION |

**Environmental Product Compliance**

|                        |                         |
|------------------------|-------------------------|
| RoHS Compliance Status | Compliant, No Exemption |
|------------------------|-------------------------|

**Approvals / Certificates**

**General approvals**



| Approval                                   | Standard | Certificate Name |
|--|----------|------------------|
| cURus<br>Underwriters Laboratories<br>Inc. | UL 1977  | E45171           |
| cURus<br>Underwriters Laboratories<br>Inc. | UL 1059  | E 45172          |

**Downloads**

**Environmental Product Compliance**

**Compliance Search**

|  |   |
|--|---|
| Environmental Product<br>Compliance<br>770-853/060-000 | ↓ |
|--|---|

**CAD/CAE-Data**

**CAD data**

|                                 |   |
|---------------------------------|---|
| 2D/3D Models<br>770-853/060-000 | ↓ |
|---------------------------------|---|

**CAE data**

|                                 |   |
|---------------------------------|---|
| ZUKEN Portal<br>770-853/060-000 | ↓ |
|---------------------------------|---|

## 1 Compatible Products

### 1.1 System counterpart

#### 1.1.1 Female connector/socket



**Item No.:** [770-243/060-000](#)

Socket; 3-pole; Cod. B; 4,00 mm<sup>2</sup>; gray

## 1.2 Required Accessories

### 1.2.1 Cover

#### 1.2.1.1 Cover



**Item No.:** [770-360](#)

Lockout cap; for plugs; 5-pole; separable;  
yellow

## 1.3 Optional Accessories

### 1.3.1 Coding

#### 1.3.1.1 Coding



**Item No.:** [770-401](#)

Coding pin; for plugs; Plastic; gray