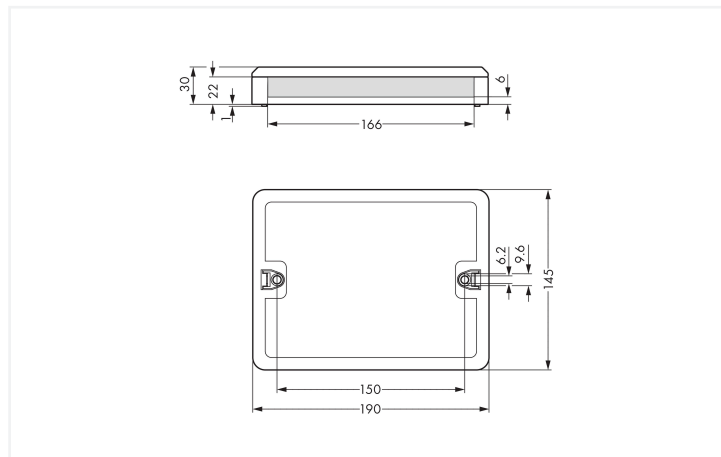
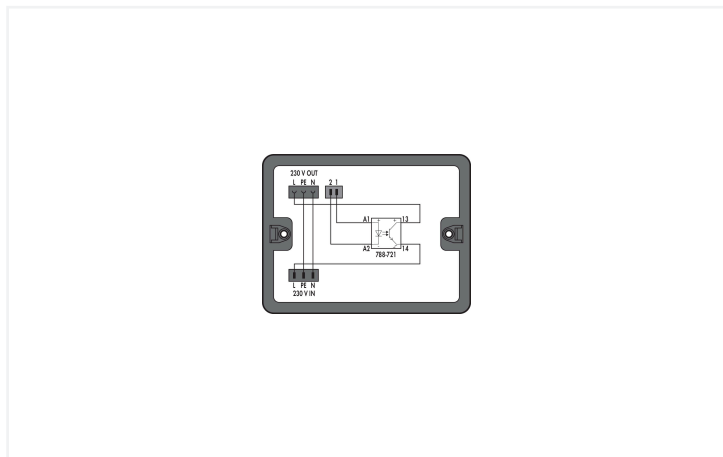


Data Sheet | Item Number: 899-632/102-000

Distribution box; Relay switching; 2 inputs; 1 output; Cod. A, B; MINI, MIDI; black

<https://www.wago.com/899-632/102-000>



Color: ■ black

Dimensions in mm

Distribution box WINSTA® A coding

Realize your installation project without difficulty: The distribution box from the WINSTA® product line with protection type IP20 is the product of your choice for quick, straightforward installation. With WAGO, you can enjoy the advantages of a large selection of expansions for the WINSTA® product line. For greater protection in electrical installations, the distribution box is equipped with mechanical protection against mismatching. The distribution box is protected in accordance with protection type IP20 (When mated: IP2xC (These compact connectors are not designed for use in open, easily accessible areas!)). This means that users' fingers will never come into contact with energised elements. Thanks to the color coding and mechanical A coding of WINSTA® distribution boxes, you can clearly distinguish different circuits.

Lower costs through fast commissioning and elimination of service expenses – solutions from WINSTA®

The WINSTA® Pluggable Connection System allows pluggable electrical installation. This significantly reduces the need for servicing and lowers costs. Now you can also lower installation costs without compromising quality and safety; with protection against mismatching eliminates the need for servicing and prevents unnecessary downtime.

- effective protection against mismatching
- intuitive distribution box marking
- saves time, since no wiring is required at the construction site
- with A coding for a great number of applications
- quick replacement of defective units during ongoing operation

Electrical data

Ratings per	IEC/EN 60664-1		
Overvoltage category	III	III	II
Pollution degree	3	2	2
Nominal voltage	250 V	-	-
Rated impulse withstand voltage	4 kV	-	-
Rated current	4 A	-	-

General information

Note on contact resistance	approx. 1 mΩ contact resistance approx. 0.25 mΩ contact transition (plug/ socket)
----------------------------	---

Connection Data

Connection 1

Connection type	Input
Pluggable connector	MIDI plug, 3-pole (770-213)

Connection 2

Connection type	Output
Connector	MIDI socket, 3-pole (770-203)

Connection 3

Connection type	Input
Connector	MINI plug, 2-pole (890-252)

Physical data

Width	190 mm / 7.48 inches
Height	31 mm / 1.22 inches
Depth	145 mm / 5.709 inches

Mechanical data

Internal wiring	1.5 mm ²
Use	Relay switching
Coding	A
Coding 2	B
Mounting type	Wall, screw mount Installation on mounting plate
Protection type	IP20; When mated: IP2xC (These compact connectors are not designed for use in open, easily accessible areas!)

Plug-in connection

Mismating protection	Yes
Note on mismating protection	All WINSTA® components are 100% protected against mismating when: a.) plugging different numbers of poles b.) plugging while rotated 180 c.) plugging while laterally staggered d.) plugging one pole
Locking of plug-in connection	Locking lever

Material data

Note (material data)	Information on material specifications can be found here
Color	black
Insulation material (main housing)	Polyamide (PA66)
Flammability class per UL94	V0
Contact material	Copper or copper alloy; surface-treated
Contact Plating	Tin
Fire load	6.745 MJ
Weight	279 g

Environmental requirements

Processing temperature	-5 ... +40 °C
Continuous operating temperature	-35 ... +85 °C
Note on continuous operating temperature	Insulating parts for temperatures ≤ 105 °C

Commercial data

PU (SPU)	1 pcs
Packaging type	Box
Country of origin	DE
GTIN	4055143933391
Customs tariff number	85366990990

Product Classification

UNSPSC	39121521
ETIM 9.0	EC002567
ETIM 10.0	EC002567
ECCN	NO US CLASSIFICATION

Environmental Product Compliance

CAS-No.	7439-92-1
REACH Candidate List Substance	Lead
RoHS Compliance Status	Compliant, No Exemption
SCIP notification number (Austria)	8ec22ceb-caad-466d-9ed5-99233d968323
SCIP notification number (Belgium)	e9a60536-c3fd-4b63-9c69-5d62a8b1ea6f
SCIP notification number (Bulgaria)	d0207d8c-a402-4e2f-9c9e-50f5938caed6
SCIP notification number (Czech Republic)	181c7a05-1a96-4ed4-8f17-344d0cf16b9c
SCIP notification number (Denmark)	e0f4b5e1-06d2-40d5-bb8e-2c67eaa1f414
SCIP notification number (Finland)	bd04bc95-0ff7-43fe-b0bc-682ea1a07066
SCIP notification number (France)	44cddfa2-0f68-4926-9827-178a8bf29896
SCIP notification number (Germany)	957a5f62-9e25-4729-ab24-466efac3ab98
SCIP notification number (Hungary)	a2cf330b-025d-4d96-881b-b521be5c4721
SCIP notification number (Italy)	5241c3d9-839d-438e-8fd1-ee9066de532e
SCIP notification number (Netherlands)	3bd4de10-b0b4-467f-b1c9-4ac84932e96c
SCIP notification number (Poland)	7255c01f-5b4c-4138-a576-67616270b272
SCIP notification number (Romania)	8f8f636f-46e3-4c05-a3a1-64bbb6dc56a0
SCIP notification number (Sweden)	bf74fb70-7c5c-44fa-8c0e-aa3bdd3b36a4

Downloads

Environmental Product Compliance

Compliance Search

Environmental Product
Compliance
899-632/102-000



1 Compatible Products

1.1 System counterpart

1.1.1 Cable assembly



Item No.: 891-8992/005-103

pre-assembled interconnecting cable;
Eca; Socket/plug; 2-pole; Cod. B; Control
cable 2 x 1.0 mm²; 1 m; 1,00 mm²; gray



Item No.: 771-9993/006-101

pre-assembled interconnecting cable;
Eca; Socket/plug; 3-pole; Cod. A; H05VV-
F 3G 1.5 mm²; 1 m; 1,50 mm²; black

1.1.2 Female connector/socket



Item No.: 890-242

Socket; 2-pole; Cod. B; 1,50 mm²; gray



Item No.: 770-203

Socket; 3-pole; Cod. A; black



Item No.: 770-103

Socket; with strain relief housing; 3-pole;
Cod. A; 4,00 mm²; black

1.1.3 Male connector/plug



Item No.: 770-213

Plug; 3-pole; Cod. A; black



Item No.: 770-113

Plug; with strain relief housing; 3-pole;
Cod. A; 4,00 mm²; black

1.2 Optional Accessories

1.2.1 Installation

1.2.1.1 Mounting accessories



Item No.: 899-680

Mounting plate; for distribution boxes; gray

Installation Notes

Installation

