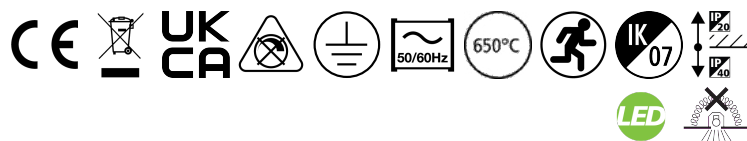


# Concord

## COLOSSAL 600mm 940 PRISM DIR WHITE EM 2071192



### Features

- 600mm diameter circular architectural luminaire, can be surface mounted or suspended. Powder coated aluminium housing (RAL9016) with PMMA prismatic diffuser. Direct light distribution, 3400lm luminous flux, 32.1W system power, 106lm/W luminaire efficacy. Constant current driver. 3 hours integrated emergency. Colour rendering index Ra >90, 4000K Neutral White LED, chromaticity tolerance of 3-step MacAdam ellipse. IP40, IK03. 350mA drive current. UGR≤19. Electrical protection Class1, 220-240V. Reported lifetime 66k hours L90B10.

### Product Overview

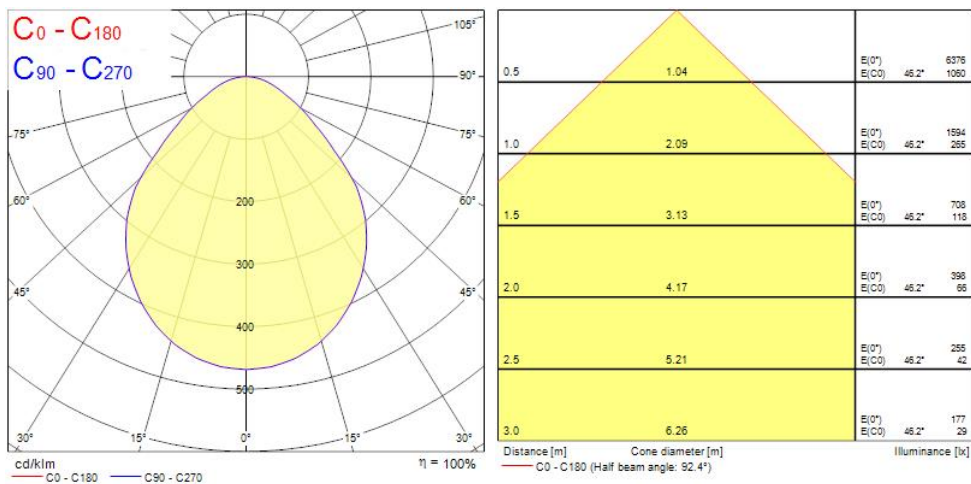
Product name	COLOSSAL 600mm 940 PRISM DIR WHITE EM
Technology	LED (3 SDCM)
Cap/Base	N/A
Housing	Aluminium
Mount	Ceiling surface mounting, Suspended
General application	Hospitality, Office
ETIM Class	EC002892
Fixture luminous flux (lm)	3400
Luminaire efficacy (lm/W)	106
Correlated colour temperature (k)	4000
Light colour	Neutral White
CRI (Ra)	90
Colour Variation Initial (SDCM)	3
Glare control	< 18
Photobiological Risk Group	RG0
Total power consumption (W)	32.1
Electrical protection	Class I
Control gear type	LED driver constant current

# Concord

## COLOSSAL 600mm 940 PRISM DIR WHITE EM 2071192

Dimmable	No
LED Flickering Rate	Ultra low (5% or less)
Housing colour	RAL9016
IP rating	IP40/20
IK rating	IK07
Product EAN number	5025768711925
Warranty	5 years
Dimming method	N/A
Colour Code	940

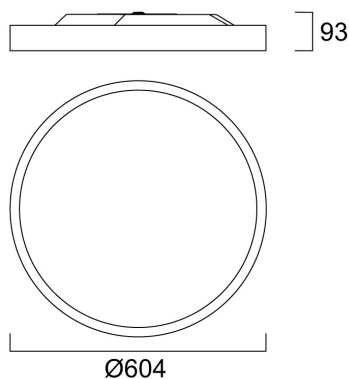
### Photometry



# Concord

## COLOSSAL 600mm 940 PRISM DIR WHITE EM 2071192

### Technical drawings



### Data table

#### GENERAL DATA

Product name	COLOSSAL 600mm 940 PRISM DIR WHITE EM
Technology	LED (3 SDCM)
Cap/Base	N/A
Housing	Aluminium
Mount	Ceiling surface mounting, Suspended
General application	Hospitality, Office
Operating temperature range (°C)	10°C...+25°C
ETIM Class	EC002892
Warranty	5 years

#### OPTICAL DATA

Fixture luminous flux (lm)	3400
Luminaire efficacy (lm/W)	106
Correlated colour temperature (k)	4000
Colour Code	940
Light colour	Neutral White

# Concord

## COLOSSAL 600mm 940 PRISM DIR WHITE EM 2071192

CRI (Ra)	90
Colour Variation Initial (SDCM)	3
Distribution type	Symmetric
Glare control	< 18
Photobiological Risk Group	RG0
Emergency duration (h)	3

### ELECTRICAL DATA

Total power consumption (W)	32.1
Primary Supply/Product voltage - min (V)	220
Primary Supply/Product voltage - max (V)	240
Lamp power factor	0.95
THD (at 230 V, 50 Hz, full load, at 100% dimming level) $\leq$ xx.x %	20
Electrical protection	Class I
Control gear required	No
Control gear type	LED driver constant current
Dimmable	No
Dimming method	N/A
Drive current (mA)	350
Inrush Current (A)	22
Inrush Duration ( $\mu$ s)	250
Energy Efficiency Class (A->G) of contained light source	C
Nominal Frequency (Hz)	50/60Hz
LED Flickering Rate	Ultra low (5% or less)
Max. products per 10A C Breaker	28
Max. products per 13A C Breaker	36
Max. products per 16A C Breaker	45
Max. products per 20A C Breaker	56
Max. products per 10A B Breaker	17
Max. products per 13A B Breaker	22
Max. products per 16A B Breaker	27
Max. products per 20A B Breaker	34

# Concord

## COLOSSAL 600mm 940 PRISM DIR WHITE EM 2071192

Connectable conductor cross section - 2.5  
Max (mm<sup>2</sup>)

### LIFETIME DATA

Lifespan L70 B50	170000
Lifespan L80 B20	145000
Lifespan L90 B10	66000

### PHYSICAL DATA

Housing colour	RAL9016
IP rating	IP40/20
IK rating	IK07
Diffuser finish	Prismatic
Diffuser material	PMMA Acrylic
Nominal Product Height (mm)	93
Nominal Product Diameter (mm)	604
Weight (kg)	9.3

### PACKAGING

Product EAN number	5025768711925
Packaging single length / height (cm)	14.0
Packaging single width (cm)	68.0
Packaging single depth (cm)	68.0
DUN14 (inner)	05025768711925
Units per outer package	1
Packaging outer length / height (cm)	14.0
Packaging outer width (cm)	68.0
Packaging outer depth (cm)	68.0

### SAFETY DATA

Glow Wire Test (°C)	650
Optimal operating condition (°C)	10-25
Special purpose lamp	No

# Concord

COLOSSAL 600mm 940 PRISM DIR WHITE EM  
**2071192**

Dry applications use only

No

Suitable for household illumination

No