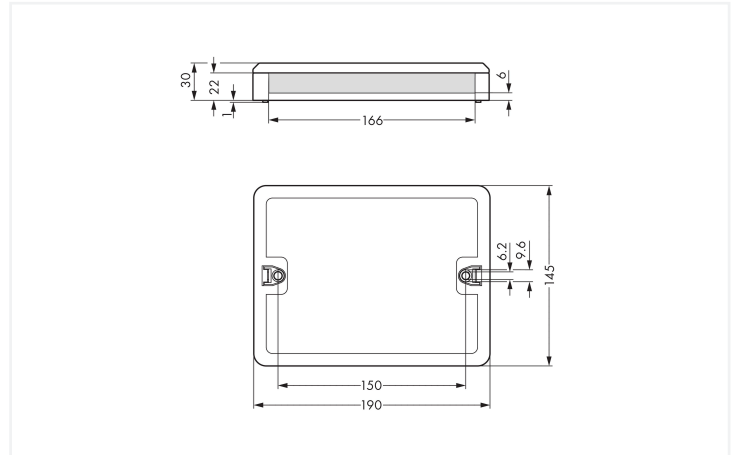
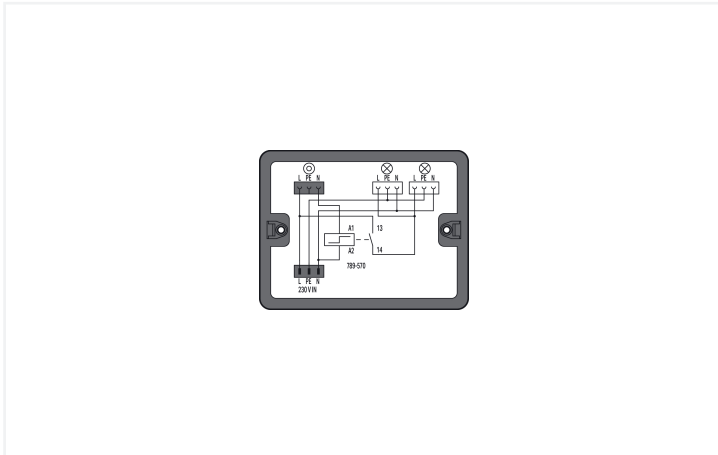


Data Sheet | Item Number: 899-632/103-000

Distribution box; Surge switch circuit; 2 inputs; 2 outputs; Cod. A; MIDI; black

<https://www.wago.com/899-632/103-000>



Color: ■ black

Dimensions in mm

Distribution box *WINSTA*® with protection against mismatching

The distribution box from the *WINSTA*® product line with protection against mismatching guarantees you the greatest possible flexibility in electrical installation. With WAGO, you benefit from a large selection of expansions for the *WINSTA*® product line. The color coding and mechanical coding of the distribution box ensure error-free installation of the individual components – including protection against mismatching. The distribution box is protected against ingress by solid objects in accordance with protection type IP20 (When mated: IP2xC (These compact connectors are not designed for use in open, easily accessible areas!)).

Push-in *CAGE CLAMP*® spring pressure connection technology – pluggable installation instead of laborious screw connections!

The *WINSTA*® Pluggable Connection System is ideally tailored to the very strict requirements of building installation. It makes electrical installation pluggable, and thus faster, more reliable, and error-free. Using this pre-assembled system reduces assembly times and installation errors at the construction site. Enjoy the benefits of the pluggable version of our maintenance-free spring pressure connection technology too! Plan your installation with with protection against mismatching from WAGO.

- protection against mismatching eliminates errors
- clear slot identification for easy commissioning
- saves time, since no wiring is required at the construction site
- fast, secure installation

Electrical data

Ratings per	IEC/EN 60664-1		
Overvoltage category	III	III	II
Pollution degree	3	2	2
Nominal voltage	250 V	-	-
Rated impulse withstand voltage	4 kV	-	-
Rated current	16 A	-	-

General information

Note on contact resistance	approx. 1 mΩ contact resistance approx. 0.25 mΩ contact transition (plug/ socket)
----------------------------	---

Connection Data

Connection 1

Connection type	Input
Pluggable connector	MIDI plug, 3-pole (770-213)

Connection 2

Connection type	Input
Connector	MIDI socket, 3-pole (770-203)

Connection 3

Connection type	Output
Connector	MIDI socket, 3-pole (770-223)

Physical data

Width	190 mm / 7.48 inches
Height	31 mm / 1.22 inches
Depth	145 mm / 5.709 inches

Mechanical data

Internal wiring	2.5 mm ²
Use	Latching relay
Coding	A
Mounting type	Wall, screw mount Installation on mounting plate
Protection type	IP20; When mated: IP2xC (These compact connectors are not designed for use in open, easily accessible areas!)

Plug-in connection

Mismating protection	Yes
Note on mismating protection	All <i>WINSTA</i> ® components are 100% protected against mismating when: a.) plugging different numbers of poles b.) plugging while rotated 180 c.) plugging while laterally staggered d.) plugging one pole
Locking of plug-in connection	Locking lever

Material data

Note (material data)	Information on material specifications can be found here
Color	black
Insulation material (main housing)	Polyamide (PA66)
Flammability class per UL94	V0
Contact material	Copper or copper alloy; surface-treated
Contact Plating	Tin
Fire load	10.214 MJ
Weight	630.5 g

Environmental requirements

Processing temperature	-5 ... +40 °C
Continuous operating temperature	-35 ... +85 °C
Note on continuous operating temperature	Insulating parts for temperatures ≤ 105 °C

Commercial data

PU (SPU)	1 pcs
Packaging type	Box
Country of origin	DE
GTIN	4055143940856
Customs tariff number	85366990990

Product Classification

UNSPSC	39121565
ETIM 9.0	EC002567
ETIM 10.0	EC002567
ECCN	NO US CLASSIFICATION

Environmental Product Compliance

RoHS Compliance Status	Compliant, No Exemption
------------------------	-------------------------

Downloads

Environmental Product Compliance

Compliance Search

Environmental Product
Compliance
899-632/103-000



1 Compatible Products

1.1 System counterpart

1.1.1 Cable assembly



Item No.: 771-9993/006-101

pre-assembled interconnecting cable;
Eca; Socket/plug; 3-pole; Cod. A; H05VV-F
3 G 1.5 mm²; 1 m; 1,50 mm²; black

Item No.: 771-9973/006-105

pre-assembled interconnecting cable;
Eca; Socket/plug; 3-pole; Cod. S; H05VV-F
3 x 1.5 mm²; 1 m; 1,50 mm²; brown

1.1.2 Female connector/socket



Item No.: 770-203

Socket; 3-pole; Cod. A; black

Item No.: 770-103

Socket; with strain relief housing; 3-pole;
Cod. A; 4,00 mm²; black

1.1.3 Male connector/plug



Item No.: 770-1373

Plug; 3-pole; 4,00 mm²; brown

Item No.: 770-213

Plug; 3-pole; Cod. A; black

Item No.: 770-113

Plug; with strain relief housing; 3-pole; Cod. A; 4,00 mm²; black

1.2 Optional Accessories

1.2.1 Installation

1.2.1.1 Mounting accessories



Item No.: 899-680

Mounting plate; for distribution boxes; gray

Installation Notes

Installation

