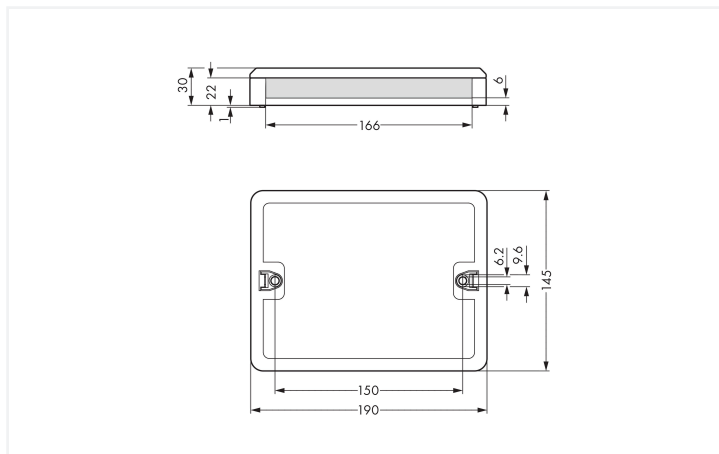
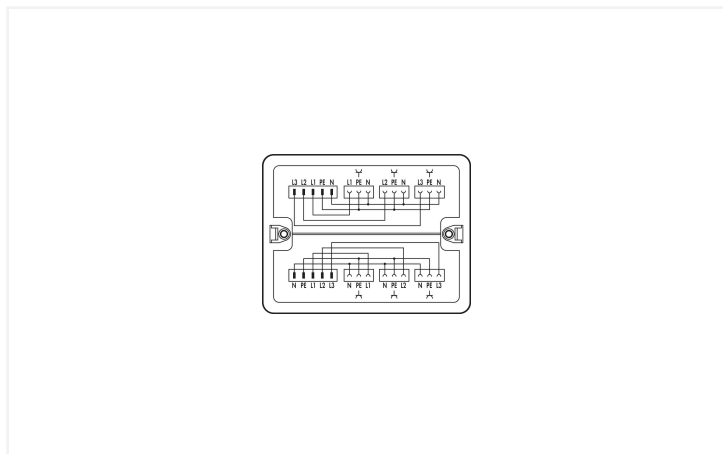


# Data Sheet | Item Number: 899-681/144-000

Distribution box; Three-phase to single-phase current (400 V/230 V); 2 inputs; 6 outputs; Cod. A; MIDI; white

<https://www.wago.com/899-681/144-000>



Color: ■ white

Dimensions in mm

Distribution box *WINSTA*® with protection type IP20

Realize your installation project with ease: The distribution box from the *WINSTA*® product line with a current rating of 25 A is the product of your choice for quick, straightforward installation. You can rely on the quality of *WINSTA*® components from WAGO for your electrical installation accessories too. The coding options reduce installation errors, allowing fast, maintenance-free wiring of all components. The distribution box is protected in accordance with protection type IP20 (When mated: IP2xC (These compact connectors are not designed for use in open, easily accessible areas!)). This means that users' fingers will never come into contact with live elements. This distribution box can be used for a current load of up to 25 A. As a result, it can also be used for high power loads.

Push-in *CAGE CLAMP*® spring pressure connection technology – pluggable installation instead of laborious screw connections!

*WINSTA*® is the pluggable connection system that is optimally tailored to the strict requirements of electrical installation. It ensures fast, secure and, above all, error-free installation of components and cables. Take advantage of the pluggable version of our maintenance-free spring pressure connection technology too! Plan your installation with with protection type IP20 from WAGO.

- distribution boxes with protection against mismatching
- intuitive marking
- saves time, since no wiring is required at the construction site
- rapid, structured electrical installation

## Electrical data

Rated per	IEC/EN 60664-1		
Overvoltage category	III	III	II
Pollution degree	3	2	2
Nominal voltage	400 V	-	-
Rated impulse withstand voltage	6 kV	-	-
Rated current	25 A	-	-

## General information

Note on contact resistance	approx. 1 mΩ contact resistance approx. 0.25 mΩ contact transition (plug/socket)
----------------------------	---

## Connection Data

Connection 1		Connection 2	
Connection type	Input	Connection type	Output
Pluggable connector	MIDI plug, 5-pole (770-235)	Connector	MIDI socket, 3-pole (770-223)
Connection 3		Connection 4	
Connection type	Input	Connection type	Output
Connector	MIDI plug, 5-pole (770-235)	Connector	MIDI socket, 3-pole (770-223)

## Physical data

Width	190 mm / 7.48 inches
Height	31 mm / 1.22 inches
Depth	145 mm / 5.709 inches

## Mechanical data

Internal wiring	2.5 mm <sup>2</sup>
Use	Three-phase to single-phase current (400 V / 230 V)
Coding	A
Mounting type	Wall, screw mount Installation on mounting plate
Protection type	IP20; When mated: IP2xC (These compact connectors are not designed for use in open, easily accessible areas!)

## Plug-in connection

Mismating protection	Yes
Note on mismating protection	All <i>WINSTA</i> ® components are 100% protected against mismating when: a.) plugging different numbers of poles b.) plugging while rotated 180 c.) plugging while laterally staggered d.) plugging one pole
Locking of plug-in connection	Locking lever

## Material data

Note (material data)	<a href="#">Information on material specifications can be found here</a>
Color	white
Insulation material (main housing)	Polyamide (PA66)
Flammability class per UL94	V0
Contact material	Copper or copper alloy; surface-treated
Contact Plating	Tin
Fire load	7.654 MJ
Weight	368.8 g

## Environmental requirements

Processing temperature	-5 ... +40 °C
Continuous operating temperature	-35 ... +85 °C
Note on continuous operating temperature	Insulating parts for temperatures ≤ 105 °C

## Commercial data

PU (SPU)	1 pcs
Packaging type	Box
Country of origin	DE
GTIN	4055143933384
Customs tariff number	85366990990

## Product Classification

UNSPSC	39121308
ETIM 9.0	EC002567
ETIM 10.0	EC002567
ECCN	NO US CLASSIFICATION

## Environmental Product Compliance

RoHS Compliance Status	Compliant, No Exemption
------------------------	-------------------------

## Downloads

### Environmental Product Compliance

#### Compliance Search

Environmental Product  
Compliance  
899-681/144-000



## 1 Compatible Products

### 1.1 System counterpart

#### 1.1.1 Cable assembly



**Item No.:** [771-9993/006-102](#)

pre-assembled interconnecting cable;  
Eca; Socket/plug; 3-pole; Cod. A; H05VV-  
F 3G 1.5 mm<sup>2</sup>; 1 m; 1,50 mm<sup>2</sup>; white



**Item No.:** [771-9995/006-102](#)

pre-assembled interconnecting cable;  
Eca; Socket/plug; 5-pole; Cod. A; H05VV-  
F 5G 1.5 mm<sup>2</sup>; 1 m; 1,50 mm<sup>2</sup>; white

#### 1.1.2 Female connector/socket



**Item No.:** [770-225](#)

Socket; 5-pole; Cod. A; 4,00 mm<sup>2</sup>; white



**Item No.:** [770-125](#)

Socket; with strain relief housing; 5-pole;  
Cod. A; 4,00 mm<sup>2</sup>; white

### 1.1.3 Male connector/plug



**Item No.: 770-233**

Plug; 3-pole; Cod. A; white

**Item No.: 770-133**

Plug; with strain relief housing; 3-pole;  
Cod. A; 4,00 mm<sup>2</sup>; white

## 1.2 Optional Accessories

### 1.2.1 Installation

#### 1.2.1.1 Mounting accessories



**Item No.: 899-680**

Mounting plate; for distribution boxes; gray

## Installation Notes

### Installation

