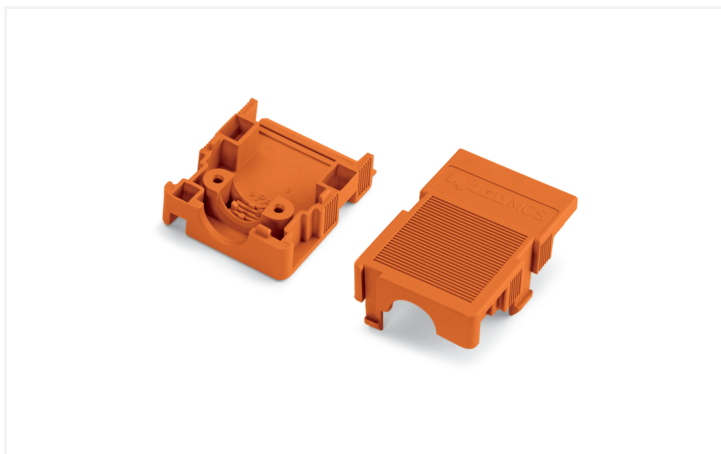


Data Sheet | Item Number: 232-683

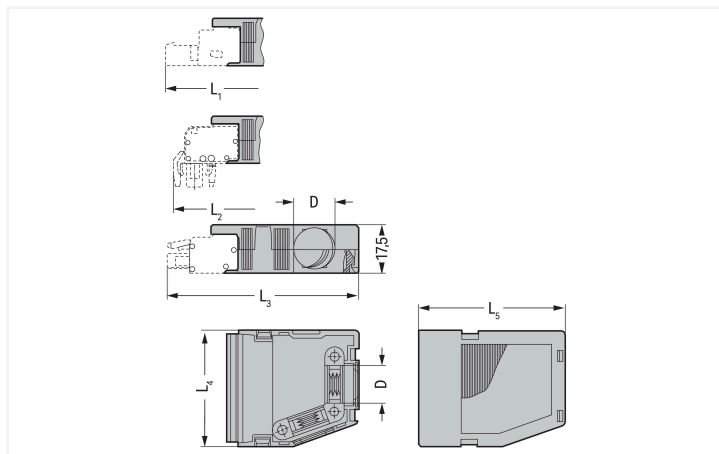
Strain relief housing; for female and male connectors; 2 parts; Pin spacing 7.62 mm;
3-pole; orange

<https://www.wago.com/232-683>



Color: ■ orange

Similar to illustration



Dimensions in mm

2-pole; only suitable for cable ties; 1 cable outlet (rear side), max. cable tie width 3.6 mm; 3- to 4-pole; suitable for cable clamp; 1 x cable outlet (rear side); 5-pole; suitable for cable clamp; 1 x cable outlet (rear side) and 1 x cable outlets (side); 1 cover (included) 7-pole; suitable for cable clamp; 1 x cable outlet (rear side) and 2 x cable outlets (side); 2 covers (included) Cable ties and binding tools are not offered by WAGO.

- Suitable for cable clamp
- 1 x cable outlet, rear

Connection data

Connection 1

| | |
|-------------|---|
| Pole number | 3 |
|-------------|---|

Physical data

| | |
|-------------|------------------------|
| Pin spacing | 7.62 mm / 0.3 inches |
| Width | 23 mm / 0.906 inches |
| Height | 17.5 mm / 0.689 inches |
| Depth | 23 mm / 0.906 inches |

Mechanical data

| | |
|----------|-----------------------------------------|
| Suitable | for standard male and female connectors |
|----------|-----------------------------------------|

Material data

| | |
|------------------------------------|--------------------------------------------------------------------------|
| Note (material data) | Information on material specifications can be found here |
| Color | orange |
| Material group | I |
| Insulation material (main housing) | Polyamide (PA66) |
| Flammability class per UL94 | V0 |
| Fire load | 0.169 MJ |
| Weight | 5.9 g |

Commercial data

| | |
|-----------------------|------------------------|
| Product Group | 3 (Multi Conn. System) |
| PU (SPU) | 25 pcs |
| Packaging type | Box |
| Country of origin | DE |
| GTIN | 4017332259811 |
| Customs tariff number | 39269097900 |

Product Classification

| | |
|-------------|----------------------|
| UNSPSC | 39121421 |
| eCl@ss 10.0 | 27-14-11-92 |
| eCl@ss 9.0 | 27-44-04-92 |
| ETIM 9.0 | EC002848 |
| ETIM 10.0 | EC002848 |
| ECCN | NO US CLASSIFICATION |

Environmental Product Compliance

| | |
|------------------------|-------------------------|
| RoHS Compliance Status | Compliant, No Exemption |
|------------------------|-------------------------|

Approvals / Certificates

Approvals for marine applications



| Approval | Standard | Certificate Name |
|------------------------------------|----------|------------------|
| ABS American Bureau of Shipping | - | 24-0095975-PDA |

Downloads

Environmental Product Compliance

Compliance Search

Environmental Product Compliance 232-683



Documentation

Additional Information

Technical Section

03.04.2019

pdf

2027.26 KB



CAD/CAE-Data

CAE data

EPLAN Data Portal 232-683



1 Compatible Products

1.1 Optional Accessories

1.1.1 Marking

1.1.1.1 Marker



[Item No.: 793-5501/000-006](#)

WMB marking card; as card; for terminal block width 5 - 17.5 mm; stretchable 5 - 5.2 mm; plain; snap-on type; blue



[Item No.: 793-5501/000-014](#)

WMB marking card; as card; for terminal block width 5 - 17.5 mm; stretchable 5 - 5.2 mm; plain; snap-on type; brown



[Item No.: 793-5501/000-007](#)

WMB marking card; as card; for terminal block width 5 - 17.5 mm; stretchable 5 - 5.2 mm; plain; snap-on type; gray



[Item No.: 793-5501/000-023](#)

WMB marking card; as card; for terminal block width 5 - 17.5 mm; stretchable 5 - 5.2 mm; plain; snap-on type; green



[Item No.: 793-5501/000-017](#)

WMB marking card; as card; for terminal block width 5 - 17.5 mm; stretchable 5 - 5.2 mm; plain; snap-on type; light green



[Item No.: 793-5501/000-012](#)

WMB marking card; as card; for terminal block width 5 - 17.5 mm; stretchable 5 - 5.2 mm; plain; snap-on type; orange



[Item No.: 793-5501/000-005](#)

WMB marking card; as card; for terminal block width 5 - 17.5 mm; stretchable 5 - 5.2 mm; plain; snap-on type; red



[Item No.: 793-5501/000-024](#)

WMB marking card; as card; for terminal block width 5 - 17.5 mm; stretchable 5 - 5.2 mm; plain; snap-on type; violet



[Item No.: 793-5501](#)

WMB marking card; as card; for terminal block width 5 - 17.5 mm; stretchable 5 - 5.2 mm; plain; snap-on type; white



[Item No.: 793-5501/000-002](#)

WMB marking card; as card; for terminal block width 5 - 17.5 mm; stretchable 5 - 5.2 mm; plain; snap-on type; yellow



[Item No.: 793-501/000-006](#)

WMB marking card; as card; not stretchable; plain; snap-on type; blue



[Item No.: 793-501/000-007](#)

WMB marking card; as card; not stretchable; plain; snap-on type; gray



[Item No.: 793-501/000-023](#)

WMB marking card; as card; not stretchable; plain; snap-on type; green



[Item No.: 793-501/000-017](#)

WMB marking card; as card; not stretchable; plain; snap-on type; light green



[Item No.: 793-501/000-012](#)

WMB marking card; as card; not stretchable; plain; snap-on type; orange



[Item No.: 793-501/000-005](#)

WMB marking card; as card; not stretchable; plain; snap-on type; red



[Item No.: 793-501/000-024](#)

WMB marking card; as card; not stretchable; plain; snap-on type; violet



[Item No.: 793-501](#)

WMB marking card; as card; not stretchable; plain; snap-on type; white



[Item No.: 793-501/000-002](#)

WMB marking card; as card; not stretchable; plain; snap-on type; yellow



[Item No.: 2009-115/000-006](#)

WMB-Inline; for Smart Printer; 1500 pieces on roll; stretchable 5 - 5.2 mm; plain; snap-on type; blue

1.1.1.1 Marker



Item No.: 2009-115/000-007

WMB-Inline; for Smart Printer; 1500 pieces on roll; stretchable 5 - 5.2 mm; plain; snap-on type; gray

Item No.: 2009-115/000-023

WMB-Inline; for Smart Printer; 1500 pieces on roll; stretchable 5 - 5.2 mm; plain; snap-on type; green

Item No.: 2009-115/000-017

WMB-Inline; for Smart Printer; 1500 pieces on roll; stretchable 5 - 5.2 mm; plain; snap-on type; light green

Item No.: 2009-115/000-012

WMB-Inline; for Smart Printer; 1500 pieces on roll; stretchable 5 - 5.2 mm; plain; snap-on type; orange



Item No.: 2009-115/000-024

WMB-Inline; for Smart Printer; 1500 pieces on roll; stretchable 5 - 5.2 mm; plain; snap-on type; violet

Item No.: 2009-115

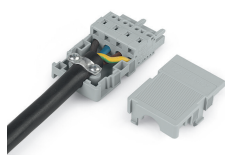
WMB-Inline; for Smart Printer; 1500 pieces on roll; stretchable 5 - 5.2 mm; plain; snap-on type; white

Item No.: 2009-115/000-002

WMB-Inline; for Smart Printer; 1500 pieces on roll; stretchable 5 - 5.2 mm; plain; snap-on type; yellow

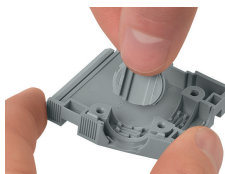
Installation Notes

Application



2- to 3-pole; only suitable for cable ties; max. 3.6 mm cable tie width
 4- to 16-pole; suitable for cable clamp, covers (included)
 Cable ties and binding tools are not offered by WAGO.

Installation



Snapping a cover into the unused cable outlet.



Strain relief housing shown with a male connector equipped with CAGE CLAMP®



Disassembling a strain relief housing is only possible using an operating tool (e.g., 210-719).