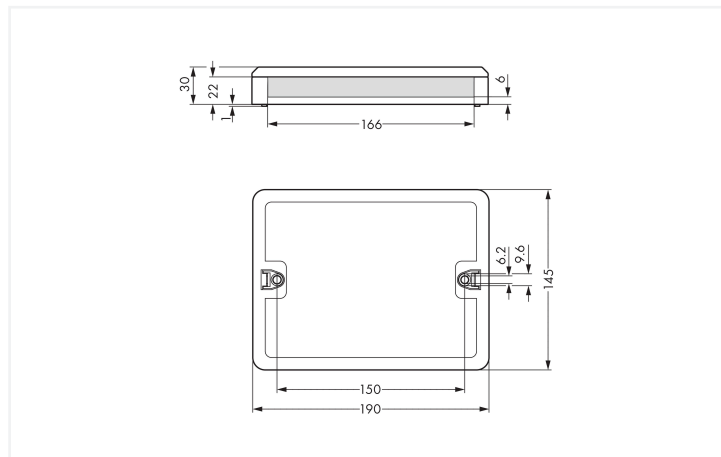
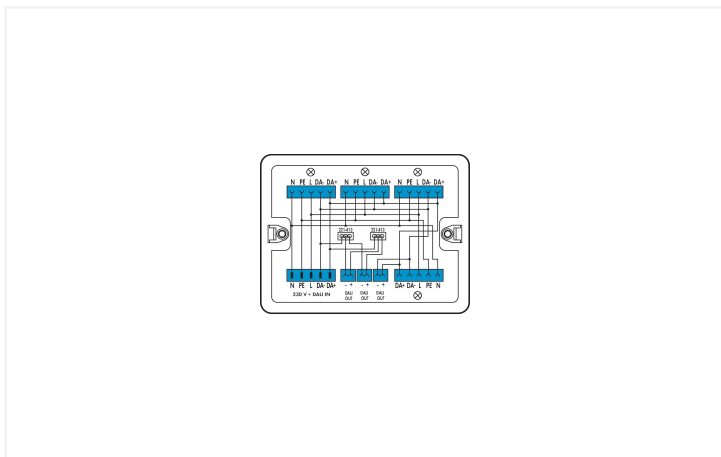


Data Sheet | Item Number: 899-681/146-000

Distribution box; 230 V + DALI; 1 input; 7 outputs; Cod. I; MINI, MIDI; white

<https://www.wago.com/899-681/146-000>



Color: ■ white

Dimensions in mm

Distribution box WINSTA® with protection type IP20

Implement your installation project without difficulty: The distribution box from the WINSTA® product line with a current rating of 20 A is the product of your choice for error-free electrical installation. With WAGO, you benefit from a large selection of expansions for the WINSTA® product line. The coding options reduce installation errors, allowing fast, secure wiring of all components. The distribution box is protected against ingress by solid objects in accordance with protection type IP20 (When mated: IP2xC (These compact connectors are not designed for use in open, easily accessible areas!)). I coding in blue is used to identify WINSTA® distribution boxes, which are used above all in automation of buildings for activating lighting. This distribution box can be employed for a voltage load of up to 20 A. Thus, it can also be used for high power loads.

Push-in CAGE CLAMP® spring pressure connection technology – pluggable installation instead of laborious screw connections!

The WINSTA® Pluggable Connection System is perfectly tailored to the very strict requirements of building installation. It makes electrical installation pluggable, and therefore faster, even more reliable, and error-free. Use of this pre-assembled system reduces assembly times and errors during installation at the construction site. Choose durability and quality – with protection against mismatching from WAGO makes the installation of electrical components substantially easier.

- protection against mismatching eliminates errors
- clear slot identification for easy commissioning
- products perfectly tailored to your requirements guarantee safe use
- with I coding for controlling light (DALI standard)
- quick replacement of defective units during ongoing operation

Electrical data

Ratings per	IEC/EN 60664-1		
Overvoltage category	III	III	II
Pollution degree	3	2	2
Nominal voltage	400 V	-	-
Rated impulse withstand voltage	6 kV	-	-
Rated current	20 A	-	-

Ratings per	IEC/EN 60664-1		
Overvoltage category	III	III	II
Pollution degree	3	2	2
Nominal voltage	250 V	-	-
Rated impulse withstand voltage	4 kV	-	-
Rated current	16 A	-	-

General information

Note on contact resistance	approx. 1 mΩ contact resistance approx. 0.25 mΩ contact transition (plug/ socket)
----------------------------	---

Connection Data

Connection 1

Connection type	Input
Pluggable connector	MIDI plug, 5-pole (770-1115)

Connection 2

Connection type	Output
Connector	MIDI socket, 5-pole (770-1105)

Connection 3

Connection type	Output
Connector	MINI socket, 2-pole (890-1102)

Physical data

Width	190 mm / 7.48 inches
Height	31 mm / 1.22 inches
Depth	145 mm / 5.709 inches

Mechanical data

Use	DALI, Lighting Management
Coding	I
Mounting type	Wall, screw mount Installation on mounting plate
Protection type	IP20; When mated: IP2xC (These compact connectors are not designed for use in open, easily accessible areas!)
Internal wiring	2.5 mm ² 1.5 mm ²

Plug-in connection

Mismating protection	Yes
Note on mismating protection	All <i>WINSTA</i> ® components are 100% protected against mismating when: a.) plugging different numbers of poles b.) plugging while rotated 180 c.) plugging while laterally staggered d.) plugging one pole
Locking of plug-in connection	Locking lever

Material data

Note (material data)	Information on material specifications can be found here
Color	white
Insulation material (main housing)	Polyamide (PA66)
Flammability class per UL94	V0
Contact material	Copper or copper alloy; surface-treated
Contact Plating	Tin
Fire load	7.504 MJ
Weight	389 g

Environmental requirements

Processing temperature	-5 ... +40 °C
Continuous operating temperature	-35 ... +85 °C
Note on continuous operating temperature	Insulating parts for temperatures ≤ 105 °C

Commercial data

PU (SPU)	1 pcs
Packaging type	Box
Country of origin	DE
GTIN	4055143940788
Customs tariff number	85366990990

Product Classification

UNSPSC	39121406
ETIM 9.0	EC002567
ETIM 10.0	EC002567
ECCN	NO US CLASSIFICATION

Environmental Product Compliance

RoHS Compliance Status	Compliant, No Exemption
------------------------	-------------------------

Downloads

Environmental Product Compliance

Compliance Search	
Environmental Product Compliance 899-681/146-000	

1 Compatible Products

1.1 System counterpart

1.1.1 Cable assembly



Item No.: 891-8982/006-102
pre-assembled interconnecting cable;
Eca; Socket/plug; 2-pole; Cod. I; H05VV-F
2 x 1.5 mm²; 1 m; 1,50 mm²; blue

Item No.: 771-9985/006-102
pre-assembled interconnecting cable;
Eca; Socket/plug; 5-pole; Cod. I; H05VV-F
5G 1.5 mm²; 1 m; 1,50 mm²; blue

1.1.2 Female connector/socket



Item No.: 770-1105
Socket; 5-pole; Cod. I; 4,00 mm²; blue

1.1.3 Male connector/plug



Item No.: 890-1112

Plug; 2-pole; Cod. I; 1,50 mm²; blue

Item No.: 770-1115

Plug; 5-pole; 4,00 mm²; blue

1.2 Optional Accessories

1.2.1 Installation

1.2.1.1 Mounting accessories



Item No.: 899-680

Mounting plate; for distribution boxes; gray

Installation Notes

Installation

