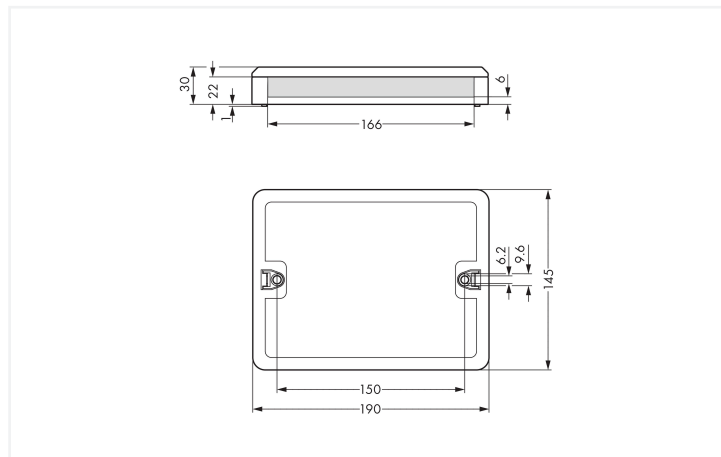
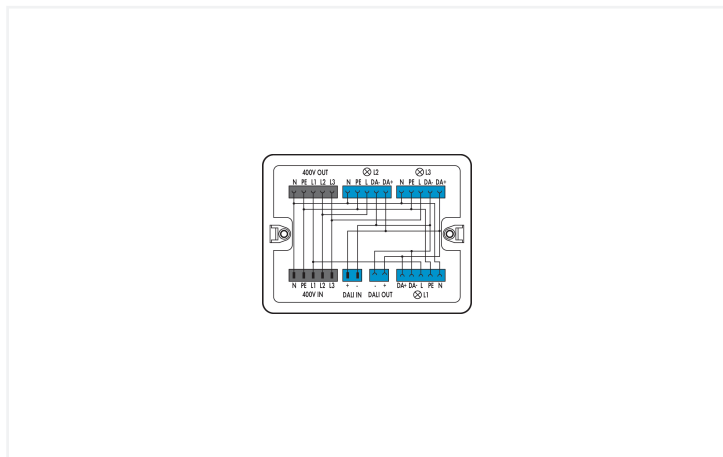


# Data Sheet | Item Number: 899-681/147-000

Distribution box; 400 V + DALI; 2 inputs; 5 outputs; Cod. A, I; MINI, MIDI; white

<https://www.wago.com/899-681/147-000>



Color: ■ white

Dimensions in mm

Distribution box WINSTA® rated current 20 A

The distribution box from the WINSTA® product line with protection against mismatching guarantees you the greatest possible flexibility in electrical installation. A comprehensive range of accessories complements the WINSTA® product line from WAGO. For greater protection in electrical installations, the distribution box is equipped with mechanical protection against mismatching. The distribution box offers touch-proof protection with live components in accordance with protection type IP20 (When mated: IP2xC (These compact connectors are not designed for use in open, easily accessible areas!)). The WINSTA® distribution box with A coding in black or white is usually used for general mains applications in power distribution. Important parameters in the selection of a distribution box are the rated current and voltage: They provide information about possible domains of use and applications. This product has a current rating of 20 A – as a result it is also suitable for robust loads.

Lower costs through fast commissioning and elimination of service expenses – solutions from WINSTA®

WINSTA® is the pluggable connection system that is optimally tailored to the strict requirements of electrical installation. It ensures fast, secure and, above all, error-free installation of components and cables. Enjoy the benefits of the pluggable version of our maintenance-free spring pressure connection technology too! Plan your installation with with protection type IP20 from WAGO.

- protection against mismatching eliminates errors
- intuitive marking
- products perfectly tailored to your requirements guarantee safe use
- with A coding for use in many general mains applications
- fast, secure installation

## Electrical data

Ratings per	IEC/EN 60664-1		
Overvoltage category	III	III	II
Pollution degree	3	2	2
Nominal voltage	400 V	-	-
Rated impulse withstand voltage	6 kV	-	-
Rated current	20 A	-	-

Ratings per	IEC/EN 60664-1		
Overvoltage category	III	III	II
Pollution degree	3	2	2
Nominal voltage	250 V	-	-
Rated impulse withstand voltage	4 kV	-	-
Rated current	16 A	-	-

### General information

Note on contact resistance	approx. 1 mΩ contact resistance approx. 0.25 mΩ contact transition (plug/ socket)
----------------------------	---

### Connection Data

#### Connection 1

Connection type	Input
Pluggable connector	MIDI plug, 5-pole (770-215)

#### Connection 2

Connection type	Output
Connector	MIDI socket, 5-pole (770-205)

#### Connection 3

Connection type	Input
Connector	MINI plug, 2-pole (890-1112)

#### Connection 4

Connection type	Output
Connector	MINI socket, 2-pole (890-1102)

Connection type	Output
Connector 5	MIDI socket, 5-pole (770-1105)

### Physical data

Width	190 mm / 7.48 inches
Height	31 mm / 1.22 inches
Depth	145 mm / 5.709 inches

### Mechanical data

Internal wiring	2.5 mm <sup>2</sup> 1.5 mm <sup>2</sup>
Use	DALI, Lighting Management
Coding	A
Coding 2	I
Mounting type	Wall, screw mount Installation on mounting plate
Protection type	IP20; When mated: IP2xC (These compact connectors are not designed for use in open, easily accessible areas!)

### Plug-in connection

Mismating protection	Yes
Note on mismating protection	All <i>WINSTA</i> ® components are 100% protected against mismating when: a.) plugging different numbers of poles b.) plugging while rotated 180 c.) plugging while laterally staggered d.) plugging one pole
Locking of plug-in connection	Locking lever

### Material data

Note (material data)	<a href="#">Information on material specifications can be found here</a>
Color	white
Insulation material (main housing)	Polyamide (PA66)
Flammability class per UL94	V0
Contact material	Copper or copper alloy; surface-treated
Contact Plating	Tin
Fire load	7.288 MJ
Weight	369.2 g

### Environmental requirements

Processing temperature	-5 ... +40 °C
Continuous operating temperature	-35 ... +85 °C
Note on continuous operating temperature	Insulating parts for temperatures ≤ 105 °C

### Commercial data

PU (SPU)	1 pcs
Packaging type	Box
Country of origin	DE
GTIN	4055143941754
Customs tariff number	85366990990

### Product Classification

UNSPSC	39121406
ETIM 9.0	EC002567
ETIM 10.0	EC002567
ECCN	NO US CLASSIFICATION

### Environmental Product Compliance

RoHS Compliance Status	Compliant, No Exemption
------------------------	-------------------------

### Downloads

#### Environmental Product Compliance

##### Compliance Search

Environmental Product  
Compliance  
899-681/147-000



## 1 Compatible Products

### 1.1 System counterpart

#### 1.1.1 Cable assembly



**Item No.: 891-8982/006-102**  
pre-assembled interconnecting cable;  
Eca; Socket/plug; 2-pole; Cod. I; H05VV-F  
2 x 1.5 mm<sup>2</sup>; 1 m; 1,50 mm<sup>2</sup>; blue



**Item No.: 771-9995/006-101**  
pre-assembled interconnecting cable;  
Eca; Socket/plug; 5-pole; Cod. A; H05VV-  
F 5G 1.5 mm<sup>2</sup>; 1 m; 1,50 mm<sup>2</sup>; black



**Item No.: 771-9985/006-102**  
pre-assembled interconnecting cable;  
Eca; Socket/plug; 5-pole; Cod. I; H05VV-F  
5G 1.5 mm<sup>2</sup>; 1 m; 1,50 mm<sup>2</sup>; blue

#### 1.1.2 Female connector/socket



**Item No.: 890-1102**  
Socket; 2-pole; Cod. I; 1,50 mm<sup>2</sup>; blue



**Item No.: 770-205**  
Socket; 5-pole; Cod. A; 4,00 mm<sup>2</sup>; black



**Item No.: 770-105**  
Socket; with strain relief housing; 5-pole;  
Cod. A; 4,00 mm<sup>2</sup>; black

#### 1.1.3 Male connector/plug



**Item No.: 890-1112**  
Plug; 2-pole; Cod. I; 1,50 mm<sup>2</sup>; blue



**Item No.: 770-1115**  
Plug; 5-pole; 4,00 mm<sup>2</sup>; blue



**Item No.: 770-215**  
Plug; 5-pole; Cod. A; 4,00 mm<sup>2</sup>; black



**Item No.: 770-115**  
Plug; with strain relief housing; 5-pole;  
Cod. A; 4,00 mm<sup>2</sup>; black

## 1.2 Optional Accessories

### 1.2.1 Installation

#### 1.2.1.1 Mounting accessories



**Item No.: 899-680**  
Mounting plate; for distribution boxes; gray

## Installation Notes

### Installation

