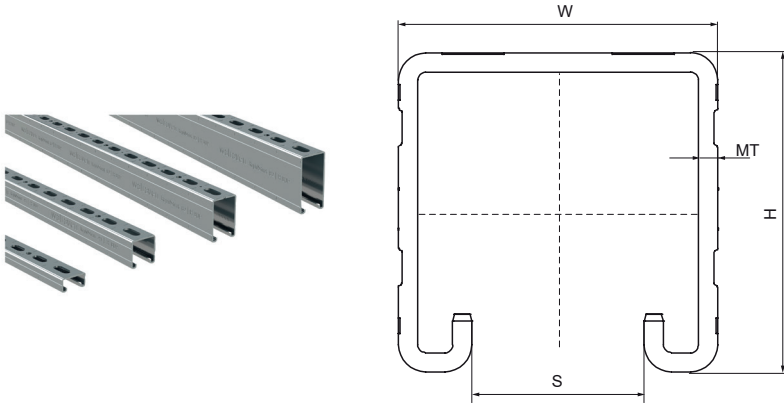


Walraven RapidStrut® channel (BUP1000)

(H0413)

for medium weight fixing applications



Features & benefits

- universal channel system
- corrosion protection remains intact after cutting
- distance between channel end and first hole is always equal
- inward formed flanges with serrated profile for extra grip
- with continuous smart hole pattern including round anchor holes
- with sawing marks each 50 mm on all 3 sides of the profile
- material: steel 1.0242 (S250GD)
- product is part of the Walraven UltraProtect® 1000 system
- suitable for in- and outdoor applications
- stands min. 1,000 hours salt spray test (max. 5% red rust) according to ISO 9227
- Walraven RapidStrut® 41|H and 62|H tested for fire safety according to EN 1363-1
- for more information about the max. allowed load (Faz) please refer to the loading tables or our online datasheet 'Walraven RapidStrut® Data Sheet'
- Channel stamped in accordance with BS6946:1988



Product Number	Type	Total Height	Total Width	Total Length	Material Thickness	Profile Opening
Reference Letter		H	W	L	MT	S
Unit description		mm	mm	mm	mm	mm
65018327	21 H	21	41	3,000	2.50	22
65018347	41 H	41	41	3,000	2.50	22
65018627	21 H	21	41	6,000	2.50	22
65018647	41 H	41	41	6,000	2.50	22
65018227	21 H	21	41	2,000	2.50	22
65018242	41 M	41	41	2,000	2.00	22
65018247	41 H	41	41	2,000	2.50	22
65018342	41 M	41	41	3,000	2.00	22
65018642	41 M	41	41	6,000	2.00	22
65018667	62 H	62	41	6,000	2.50	22
65018687	82 H	82	41	6,000	2.50	22
65018367	62 H	62	41	3,000	2.50	22
65018387	82 H	82	41	3,000	2.50	22
65018244	41 L	41	41	2,000	1.50	22
65018344	41 L	41	41	3,000	1.50	22
65018444	41 L	41	41	4,000	1.50	22
65018622	21 M	21	41	6,000	2.00	22
65018644	41 L	41	41	6,000	1.50	22
6501847050	41 H	41	41	500	2.50	22
6501847075	41 H	41	41	750	2.50	22
6501847100	41 H	41	41	1,000	2.50	22
6501847120	41 H	41	41	1,200	2.50	22
6501847180	41 H	41	41	1,800	2.50	22
6501847240	41 H	41	41	2,400	2.50	22