

36 627 706 Product version up to 10/14/2020



- with CASCADE structure
- rosette 60 x 60 mm
- with cold marking
- head part with cut-to-length spindle and sleeve
- WRAS

Required miscellaneous



**Wall valve 1/2" -**

35 607 970 90

- min. recess depth 105 mm
- max. recess depth 150 mm

36 627 706 Product version up to 10/14/2020

mm [inches]



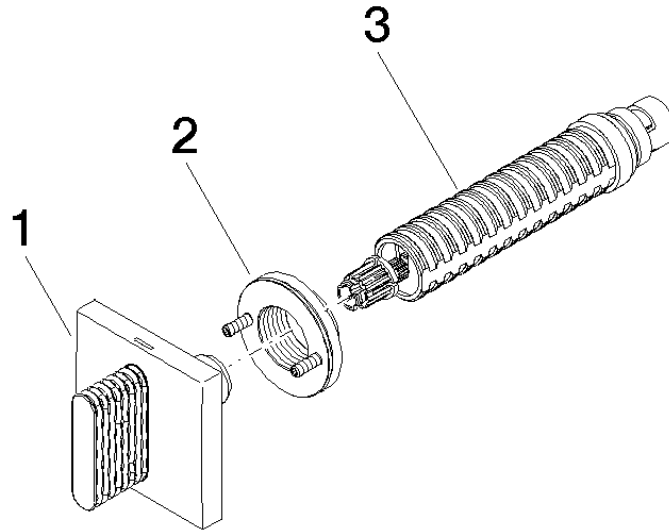
**Codes & Standards**

ASME A112.18.1	cUPC	EN 200	Scottish Water Byelaws
----------------	------	--------	------------------------

UK Water Supply Regulations

**Certificates and sustainability**

DVGW_DW-6501DN0	WRAS_2010	IAPMO_4976 (	EPD-DOR-20230287 -IBA1-EN Environmental.prod uct-declarat
-----------------	-----------	--------------	--



### Spare parts list

No.	Item Number	Name	Quantity used	Delivery time
1	90 20 70 053 02-00	Handle for concealed wall mounting Cold oval step 60 x 60 x 40 mm - Chrome	1.00	20
2	90 21 02 108 00 90	Wall disc complete -	1.00	14
3	90 90 03 143 00 90	Head part clockwise closing 1/2" -	1.00	14