

28 786 710 Product version from 3/13/2017





- rain shower 300 x 240mm
- Rain shower material: metal
- PURE RAIN, max. flow rate 20 l/min (at 3 bar)
- Function from: 12 l/min
- quick clearing
- with anti-scale system

**technical data:**

- 450mm projection
- rosette 78 x 60 mm
- 1/2" connection

**Notes:**

	Brushed Platinum	28 786 710-06
	Chrome	28 786 710-00

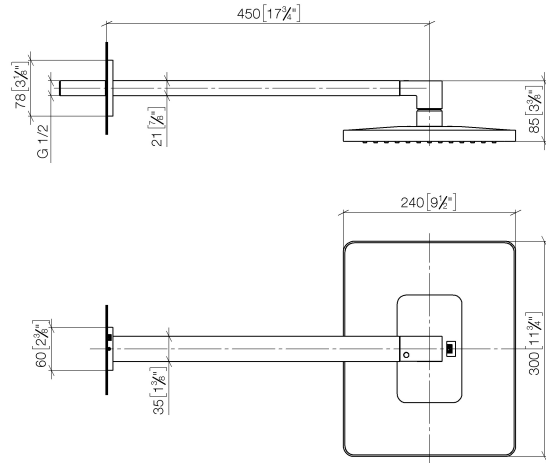
**Recommended miscellaneous**



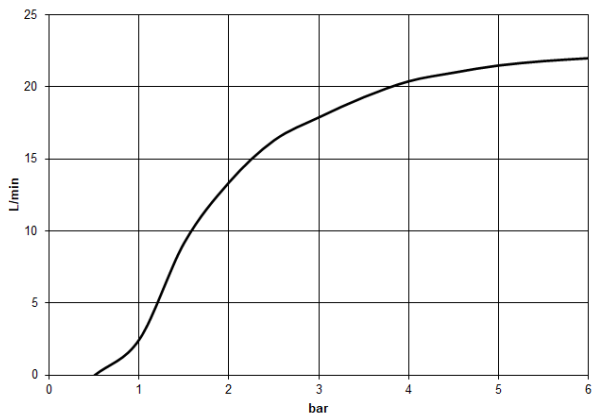
- Concealed wall elbow -** 35 085 970 90
- min. recess depth 90 mm
  - max. recess depth 163 mm

28 786 710 Product version from 3/13/2017

mm [inches]



Flow rate chart



Codes & Standards

DIN 4109

ISO 3822

Scottish Water  
Byelaws

UK Water Supply  
Regulations

Ü-Zeichen



## LULU Rainshower with wall fixing 300 x 240 mm - Brushed Platinum

---

LULU

28 786 710 Product version from 3/13/2017

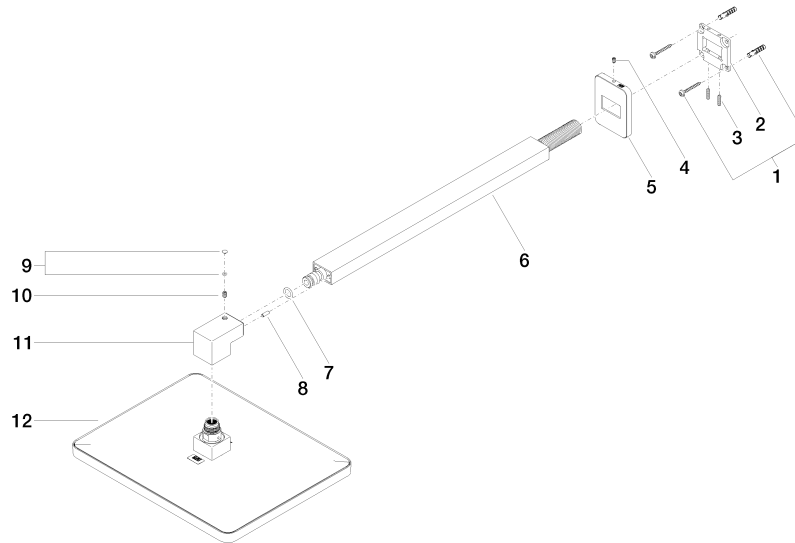
### Certificates and sustainability

---

LGA\_38

LGA\_29

WRAS\_2212



## Spare parts list

No.	Item Number	Name	Quantity used	Delivery time
1	04 30 31 032 00 90	Attachment set Bolt 4 x 35 mm -	1.00	14
6	04 28 22 247 20-06	Connection 505 x 35 x 21 mm - Brushed Platinum	1.00	20
7	90 14 10 011 00 90	O-Ring EPDM 70 11,0 x 2,5 mm -	1.00	14
11	09 17 01 180-06	Connection 36 x 39 x 61 mm - Brushed Platinum	1.00	20
12	04 12 05 062 00-06	Rainshower angular G 1/2, 90° 300 x 240 mm - Brushed Platinum	1.00	20
5	09 27 71 019-06	Rosette 78 x 60 x 9 mm - Brushed Platinum	1.00	20
9	90 31 20 087 00-06	Plug with O-ring Ø 7 x 2,1 mm - Brushed Platinum	1.00	20
2	09 30 11 160 90	Connection 55 x 55 x 6,5 mm -	1.00	14
4	09 31 11 048 90	Mounting Threaded pin with hexagon socket with point M4 x 8 mm -	1.00	14
10	09 31 11 036 90	Mounting Threaded pin with hexagon socket with cup point M5 x 8 mm -	1.00	14
8	09 31 11 040 90	Straight pin Ø 6 x 12 mm -	1.00	14
3	09 31 11 084 90	Mounting Threaded pin with hexagon socket with cup point M4 x 16 mm -	2.00	14