

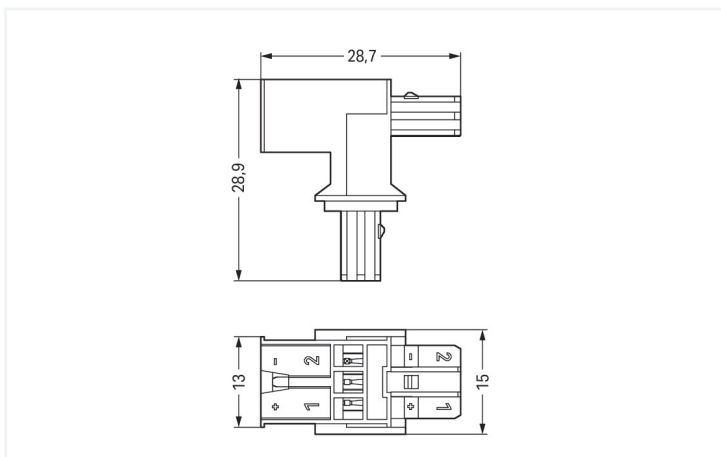
## Data Sheet | Item Number: 893-1606

T-distribution connector; 2-pole; Cod. E; 1 input; 2 outputs; green

<https://www.wago.com/893-1606>



Color: ■ green



Dimensions in mm

### Distribution connector *WINSTA*® KNX with protection against mismatching

For signal and power transmission: The *WINSTA*® KNX distribution connector rated current 3 A. Our pluggable installation connectors with spring pressure connection technology work without screw connections. They allow fast, efficient, error-free installation in numerous possible uses. The color coding and mechanical coding of the pluggable installation connector ensure error-free installation of the individual components – including protection against mismatching. The pluggable installation connector is protected in accordance with protection type IP20 (Only when mated and secured with a strain relief housing (These compact connectors are not designed for use in open, easily accessible areas.)). This means that users' fingers will never come into contact with electrified contact elements. The harmonised KNX interface represents a manufacturer-independent communication protocol for intelligently networking state-of-the-art home and building system technologies. A *WINSTA*® KNX pluggable installation connector with E coding, like all coded pluggable installation connectors, allows blind mating. Components with E coding are primarily used for supplying auxiliary power, for example to I/O devices.

*WINSTA*® KNX solutions for your electrical installation – protected against mismatching and maintenance-free

The *WINSTA*® Pluggable Connection System allows pluggable electrical installation. This significantly reduces the need for servicing and lowers costs. Choose durability and quality – with protection type IP20 from WAGO makes the electrical installation of electrical components substantially easier.

- saves time, since no wiring is required at the construction site
- with E coding for supplying auxiliary power to I/O devices
- custom-engineered solutions
- rapid, structured electrical installation

## Electrical data

Ratings per	IEC/EN 60664-1			General information	
	Overvoltage category	III	III	II	Note on contact resistance
Pollution degree	3	2	2		
Nominal voltage	50 V	-	-		
Rated impulse withstand voltage	0.8 kV	-	-		
Rated current	3 A	-	-		

## Connection Data

Total number of potentials	2	<b>Connection 1</b>
		Pole number
		2

## Physical data

Width	15 mm / 0.591 inches
Height	28.9 mm / 1.138 inches
Depth	28.7 mm / 1.13 inches

## Mechanical data

Technology	KNX
Coding	E
Variable coding	No
Marking	1+ 2-
Potential marking	1+ 2-
Mating force of a plug-in connection	Approx. 10 ... 15 N
Retention force of a plug-in connection	When locked: > 80 N
Unmating force of a plug-in connection	Unlocked: approx. 15 ... 20 N
Number of mating cycles	200
Type of distribution box	T-distribution connector
Protection type	IP20; Only when mated and secured with a strain relief housing (These compact connectors are not designed for use in open, easily accessible areas.)

## Plug-in connection

Mismating protection	Yes
Note on mismating protection	All <i>WINSTA</i> ® components are 100% protected against mismating when: a.) plugging different numbers of poles b.) plugging while rotated 180 c.) plugging while laterally staggered d.) plugging one pole
Locking lever	Yes
Locking of plug-in connection	Locking lever
Note on locking system	All connectors for mounted installations (snap-in versions for lighting fixtures or devices, all types of PCB and distribution connectors) are factory-equipped with locking levers to ensure plugs and sockets are securely locked. Additional locking levers are only required for flying leads (plug/socket).
Number of locking levers	2

### Material data

Note (material data)	<a href="#">Information on material specifications can be found here</a>
Color	green
Insulation material (main housing)	Polyamide (PA66)
Flammability class per UL94	V0
Contact material	Copper alloy; surface-treated
Contact Plating	Tin
Fire load	0.052 MJ
Weight	3.3 g

### Environmental requirements

Processing temperature	-5 ... +40 °C
Continuous operating temperature	-35 ... +85 °C
Note on continuous operating temperature	Insulating parts for temperatures ≤ 105 °C

### Commercial data

Product Group	20 (Winsta)
PU (SPU)	25 pcs
Packaging type	Box
Country of origin	DE
GTIN	4045454547677
Customs tariff number	85366990990

### Product Classification

UNSPSC	39121406
eCl@ss 10.0	27-44-06-03
eCl@ss 9.0	27-44-06-03
ETIM 9.0	EC002567
ETIM 10.0	EC002567
ECCN	NO US CLASSIFICATION

### Environmental Product Compliance

RoHS Compliance Status	Compliant, No Exemption
------------------------	-------------------------

### Downloads

#### Environmental Product Compliance

##### Compliance Search

Environmental Product  
Compliance 893-1606



### Documentation

Bid Text			
893-1606	19.02.2019	xml 2.76 KB	<a href="#">↓</a>
893-1606	08.01.2015	doc 22.50 KB	<a href="#">↓</a>

### CAD/CAE-Data

CAD data	
2D/3D Models 893-1606	<a href="#">↓</a>

CAE data	
WSCAD Universe 893-1606	<a href="#">↓</a>
ZUKEN Portal 893-1606	<a href="#">↓</a>