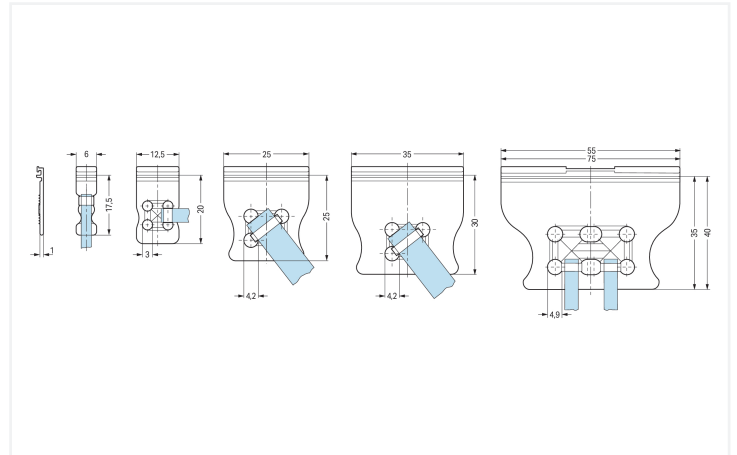
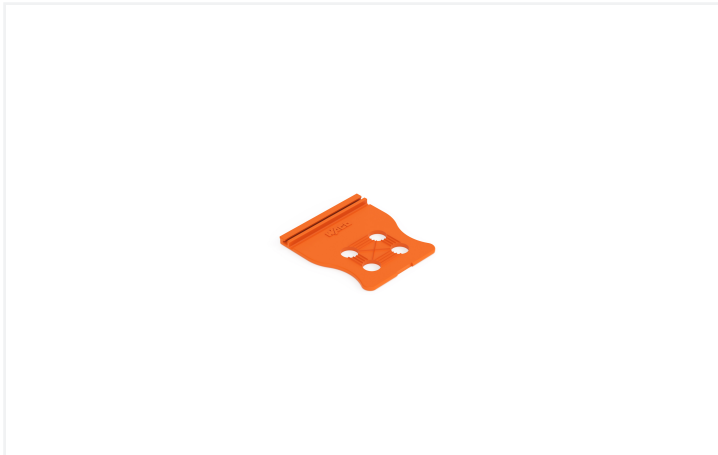


Data Sheet | Item Number: 734-229

Strain relief plate; for female and male connectors; 25 mm wide; 1 part; Pin spacing 3.81 mm; orange

<https://www.wago.com/734-229>



Color: ■ orange

Dimensions in mm

The arrangement of the attachments for cable ties allows single conductors or multi-core cables to be secured in different ways. The width of the cable ties must correspond to the hole dimensions of the strain relief plates shown above.

Physical data

Width	25 mm / 0.984 inches
Height	1.87 mm / 0.074 inches
Depth	27 mm / 1.063 inches

Mechanical data

Mounting type	Insert
Suitable	for standard male and female connectors (3.81 mm; 5.08 mm; 7.62 mm pin spacing)

Material data

Note (material data)	Information on material specifications can be found here
Color	orange
Material group	I
Insulation material (main housing)	Polyamide (PA66)
Flammability class per UL94	V0
Fire load	0.019 MJ
Weight	0.6 g

Commercial data

Product Group	3 (Multi Conn. System)
PU (SPU)	100 (25) pcs
Packaging type	Box
Country of origin	DE
GTIN	4017332404921
Customs tariff number	85389099990

Product Classification

UNSPSC	39121421
eCl@ss 10.0	27-44-04-92
eCl@ss 9.0	27-44-04-92
ETIM 9.0	EC002848
ETIM 10.0	EC002848
ECCN	NO US CLASSIFICATION

Environmental Product Compliance

RoHS Compliance Status	Compliant, No Exemption
------------------------	-------------------------

Approvals / Certificates

Approvals for marine applications



Approval	Standard	Certificate Name
LR Lloyds Register	IEC 61984	96/20035 (E5)

Downloads

Environmental Product Compliance

Compliance Search	
Environmental Product Compliance 734-229	↓

Documentation

Additional Information			
Technical Section	03.04.2019	pdf 2027.26 KB	↓

CAD/CAE-Data

CAD data

2D/3D Models 734-229



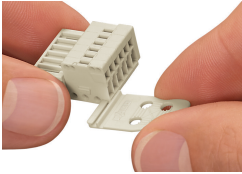
CAE data

ZUKEN Portal 734-229



Installation Notes

Installation



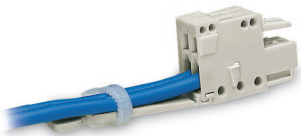
Strain relief plates for factory or in-the-field assembly

Application



Strain relief plate, for factory assembly
1-conductor female connector, 2.5 mm pin spacing, light gray,
12-pole, with strain relief plate
733-112/034-000

Application



Strain relief plate, for factory assembly
1-conductor female connector, 2.5 mm pin spacing, light gray,
2-pole, with strain relief plate
(733-102/032-000)