

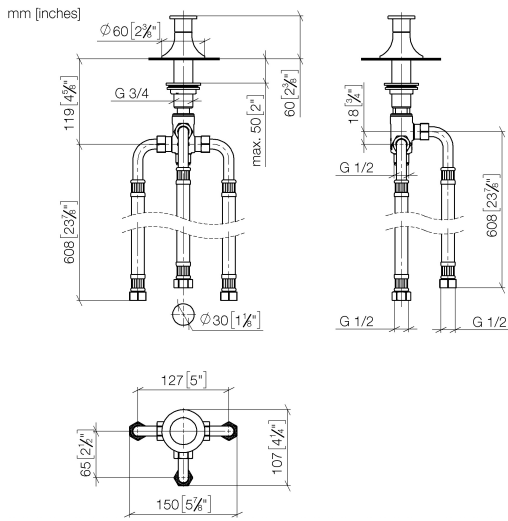
29 140 809 Product version from 3/13/2017



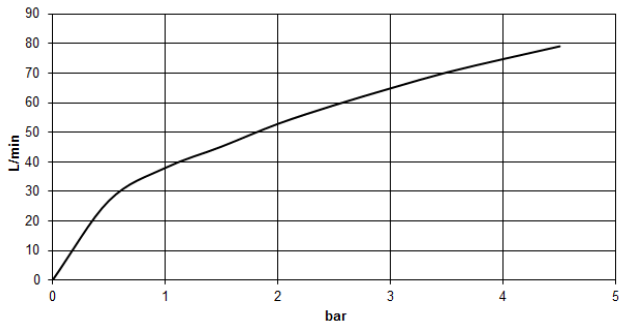
- automatic bath/shower diverter
- hole diameter 30 mm
- rosette Ø 60 mm
- 1/2" connection
- max. flow 64.9 l/min at 3 bar flow pressure
- WRAS

	Platinum	29 140 809-08
	Chrome	29 140 809-00
	Brushed Platinum	29 140 809-06
	Dark Chrome	29 140 809-19
	Brushed Durabronze (23kt Gold)	29 140 809-28
	Brushed Dark Brass (PVD)	29 140 809-39
	Brushed Bronze (PVD)	29 140 809-42
	Brushed Dark Bronze (PVD)	29 140 809-43
	Brushed Champagne (22kt Gold)	29 140 809-46
	Champagne (22kt Gold)	29 140 809-47
	Brushed Dark Platinum	29 140 809-99

29 140 809 Product version from 3/13/2017



**Flow rate chart**



**Codes & Standards**

ASME A112.18.1      cUPC      DIN 4109      ISO 3822

Scottish Water Byelaws      UK Water Supply Regulations      Ü-Zeichen



## VAIA Two-way diverter for bath rim or tile edge installation - Platinum

VAIA

29 140 809 Product version from 3/13/2017

### Certificates and sustainability

WRAS\_1911

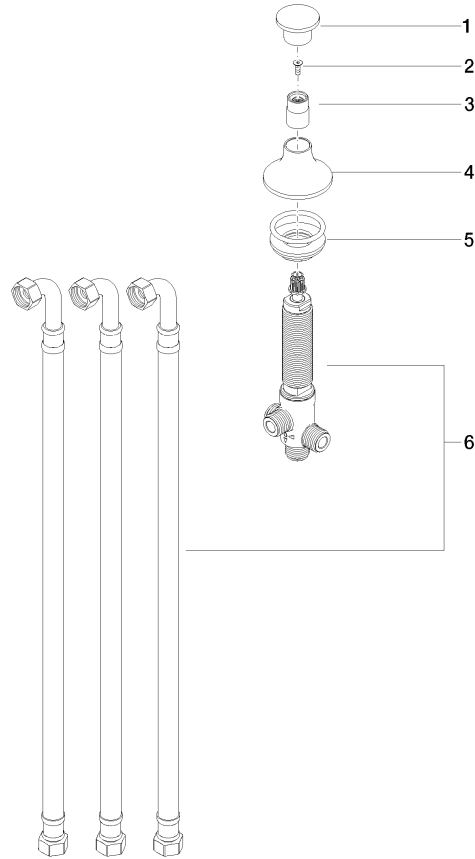
LGA\_29

IAPMO\_4976

EPD-DOR-20230287  
-IBA1-EN  
Environmental.prod  
uct-declarat

29 140 809 Product version from 3/13/2017

Parts for other finishes can be found here: [Chrome](#)



### Spare parts list

No.	Item Number	Name	Quantity used	Delivery time
3	09 18 40 214-08	Sleeve Ø 19,5 x 27,5 mm - Platinum	1.00	54
4	09 27 80 015-08	Rosette for pull diverter Ø 60 x 37 mm - Platinum	1.00	54
1	09 20 80 016-08	Pull button Ø 37 x 22,5 mm - Platinum	1.00	54
2	90 30 30 014 00 90	Mounting Countersunk screw with hexagon socket M4 x 12 mm -	1.00	14
6	90 17 09 051 00 90	Diverter Spare part for 04.17.09.041.15.90 716x133x80 mm -	1.00	14
5	04 23 10 004 03 90	Mounting with seals Ø 45 mm, 3/4" -	1.00	14