



LULU Wall-mounted single-lever basin mixer without pop-up waste - Brushed Platinum

LULU

36 860 710



- 200mm projection
- fixed spout
- circular, air-enriched flow
- hole diameter spout 37 mm
- hole diameter single-lever mixer 57 mm
- rosette 78 x 78 mm
- max. flow 7 l/min
- lead-free
- This product can help a building meet the requirements of Green Building Rating Systems, e.g. LEED®, BREEAM®, DGNB
- WRAS

	Brushed Platinum	36 860 710-06
	Chrome	36 860 710-00

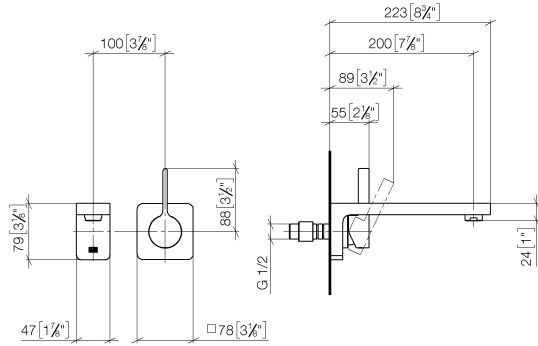
Required miscellaneous



Concealed wall-mounted single-lever mixer - 35 860 970 90

- min. recess depth 75 mm
- max. recess depth 95 mm
- mixer can be placed above, to the left or to the right of the spout.

36 860 710
mm [inches]



Flow rate chart



Codes & Standards

DIN 4109

EN 817

ISO 3822

Scottish Water
Byelaws

UK Water Supply
Regulations

Ü-Zeichen



LULU Wall-mounted single-lever basin mixer without pop-up waste - Brushed
Platinum

LULU

36 860 710

Certificates and sustainability

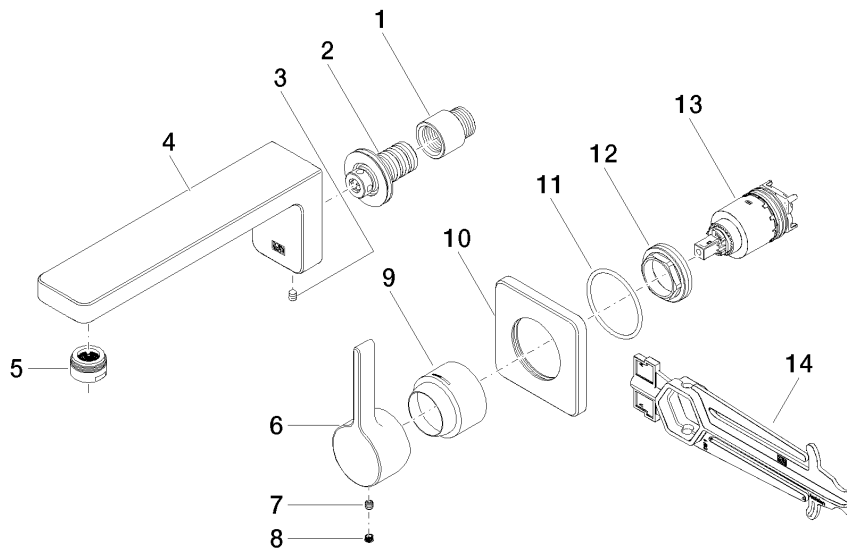
DVGW_DW-
6512DN0

WRAS_2107

LGA_29

EPD-DOR-20230287
-IBA1-EN
Environmental.prod
uct-declarat

36 860 710



LULU Wall-mounted single-lever basin mixer without pop-up waste - Brushed Platinum

LULU

36 860 710

Spare parts list

No.	Item Number	Name	Quantity used	Delivery time
5	90 23 01 118 01-06	Aerator M24x1-AG 7,0 l/min. - Brushed Platinum	1.00	20
7	90 31 11 030 00 90	Mounting Threaded pin with hexagon socket with cup point M5 x 5 mm -	1.00	14
1	09 24 03 072 10 90	Extension 1/2" x 20 mm -	1.00	14
13	90 15 05 064 01 90	Single-lever mixer cartridge with adapter plate incl. installation spanner Ø 35 mm x 58,6 mm -	1.00	-
Spare part can no longer be ordered, please order the replacement item				
	9015050460190	Single-lever mixer cartridge with cartridge insert , torque wrench Ø 35 mm x 58,6 mm -		
8	90 31 20 109 00 90	Plug -	1.00	14
12	09 24 04 105 90	Mounting Ø 40 x 12 mm -	1.00	14
3	90 31 11 004 00 90	grub screw with hexagon socket M5 x 8 mm -	1.00	14
2	90 24 03 108 00 90	Nipple Ø 40 x 50 mm, 5 l/min. -	1.00	14
9	09 11 02 530-06	Cover Ø 45 x 34,5 mm - Brushed Platinum	1.00	20
4	09 11 71 090 10-06	Spout 48 x 79,5 x 223,5 mm - Brushed Platinum	1.00	20
6	09 20 71 001-06	Handle Lever 46 x 29 x 111 mm - Brushed Platinum	1.00	-
Spare part can no longer be ordered, please order the replacement item				
14	90 30 09 064 00 90	Spanner for cartridge nut -	1.00	14
10	09 27 71 001-06	Rosette - Brushed Platinum	1.00	-
Spare part can no longer be ordered, please order the replacement item				
11	90 14 10 049 00 90	O-Ring 45,69 x 2,62 mm -	1.00	14