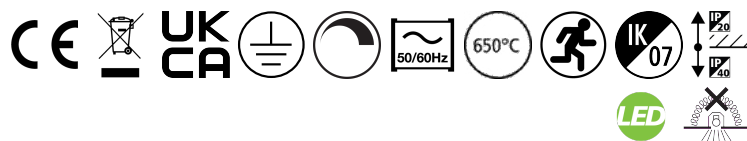


Concord

COLOSSAL 600mm 940 PRISM DIR+HAL WHITE DALI EM 2071230



Features

- 600mm diameter circular architectural luminaire, can be surface mounted or suspended. Powder coated aluminium housing (RAL9016) with PMMA prismatic diffuser. Direct/indirect (halo) light distribution, 3485lm luminous flux, 32.1W system power, 109lm/W luminaire efficacy. DALI dimmable. 3 hours integrated emergency. Colour rendering index Ra >90, 4000K Neutral White LED, chromaticity tolerance of 3-step MacAdam ellipse. IP40, IK03. 350mA drive current. UGR≤19. Electrical protection Class1, 220-240V. Reported lifetime 66k hours L90B10.

Product Overview

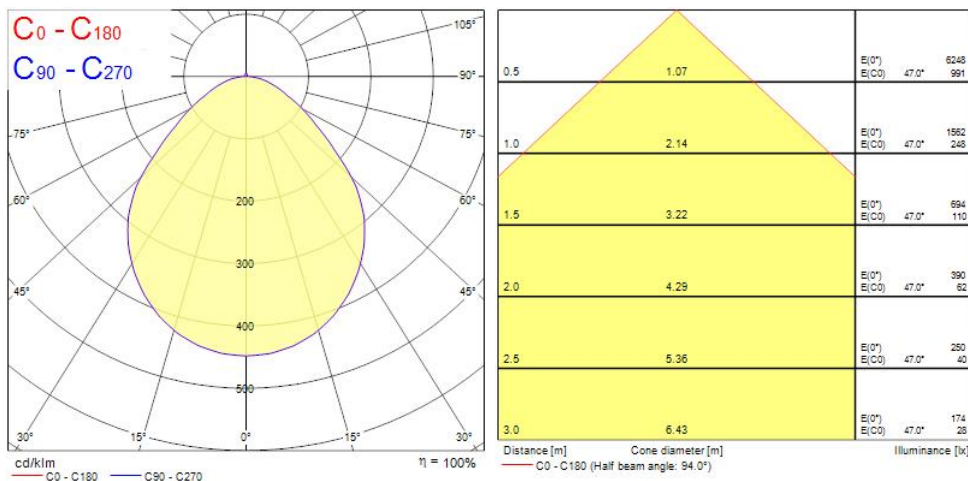
Product name	COLOSSAL 600mm 940 PRISM DIR+HAL WHITE DALI EM
Technology	LED (3 SDCM)
Cap/Base	N/A
Housing	Aluminium
Mount	Suspended
General application	Hospitality, Office
ETIM Class	EC002892
Fixture luminous flux (lm)	3485
Luminaire efficacy (lm/W)	108
Correlated colour temperature (k)	4000
Light colour	Neutral White
CRI (Ra)	90
Colour Variation Initial (SDCM)	3
Glare control	< 19
Photobiological Risk Group	RG0
Total power consumption (W)	32.2
Electrical protection	Class I

Concord

COLOSSAL 600mm 940 PRISM DIR+HAL WHITE DALI EM 2071230

Control gear type	LED driver constant current
Dimmable	Yes
LED Flickering Rate	Ultra low (5% or less)
Housing colour	RAL9016
IP rating	IP40/20
IK rating	IK07
Product EAN number	5025768712304
Warranty	5 years
Dimming method	DALI-2
Colour Code	940

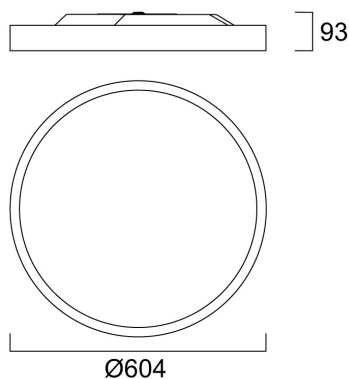
Photometry



Concord

COLOSSAL 600mm 940 PRISM DIR+HAL WHITE DALI EM 2071230

Technical drawings



Data table

GENERAL DATA

Product name	COLOSSAL 600mm 940 PRISM DIR+HAL WHITE DALI EM
Technology	LED (3 SDCM)
Cap/Base	N/A
Housing	Aluminium
Mount	Suspended
General application	Hospitality, Office
Operating temperature range (°C)	10°C...+25°C
ETIM Class	EC002892
Warranty	5 years

OPTICAL DATA

Fixture luminous flux (lm)	3485
Luminaire efficacy (lm/W)	108
Correlated colour temperature (k)	4000
Colour Code	940

Concord

COLOSSAL 600mm 940 PRISM DIR+HAL WHITE DALI EM 2071230

Light colour	Neutral White
CRI (Ra)	90
Colour Variation Initial (SDCM)	3
Distribution type	Symmetric
Glare control	< 19
Photobiological Risk Group	RG0
Emergency duration (h)	3

ELECTRICAL DATA

Total power consumption (W)	32.2
Primary Supply/Product voltage - min (V)	220
Primary Supply/Product voltage - max (V)	240
Lamp power factor	0.99
THD (at 230 V, 50 Hz, full load, at 100% dimming level) \leq xx.x %	4.7
Electrical protection	Class I
Control gear required	No
Control gear type	LED driver constant current
Dimmable	Yes
Dimming method	DALI-2
Drive current (mA)	350
Inrush Current (A)	23
Inrush Duration (μ s)	174
Energy Efficiency Class (A->G) of contained light source	C
Nominal Frequency (Hz)	50/60Hz
LED Flickering Rate	Ultra low (5% or less)
Max. products per 10A C Breaker	21
Max. products per 13A C Breaker	28
Max. products per 16A C Breaker	35
Max. products per 20A C Breaker	45
Max. products per 10A B Breaker	13
Max. products per 13A B Breaker	17
Max. products per 16A B Breaker	21
Max. products per 20A B Breaker	27

Concord

COLOSSAL 600mm 940 PRISM DIR+HAL WHITE DALI EM 2071230

Connectable conductor cross section - 2.5
Max (mm²)

LIFETIME DATA

Lifespan L70 B50	170000
Lifespan L80 B20	145000
Lifespan L90 B10	66000

PHYSICAL DATA

Housing colour	RAL9016
IP rating	IP40/20
IK rating	IK07
Diffuser finish	Prismatic
Diffuser material	PMMA Acrylic
Nominal Product Height (mm)	93
Nominal Product Diameter (mm)	604
Weight (kg)	9.3

PACKAGING

Product EAN number	5025768712304
Packaging single length / height (cm)	14.0
Packaging single width (cm)	68.0
Packaging single depth (cm)	68.0
DUN14 (inner)	05025768712304
Units per outer package	1
Packaging outer length / height (cm)	14.0
Packaging outer width (cm)	68.0
Packaging outer depth (cm)	68.0

SAFETY DATA

Glow Wire Test (°C)	650
Optimal operating condition (°C)	10-25
Special purpose lamp	No

Concord

COLOSSAL 600mm 940 PRISM DIR+HAL WHITE DALI EM
2071230

Dry applications use only

No

Suitable for household illumination

No